



# INSTALLATION INSTRUCTIONS ENGINE OIL COOLER KIT PART # 15605

Please read these instructions completely before starting the installation.

### KIT CONTENTS

QTY. DESCRIPTION	QTY. DESCRIPTION
1 Oil Cooler	4 Hose Clamps
2 -8AN Aluminum Fittings	1 3/4-16 Sleeve Nut (Yellow)
1 Sandwich Adapter	1 18mm Sleeve Nut (White)
1 2 3/4" O-ring	1 20mm Sleeve Nut (Black)
1 Adapter Plate	1 22mm Sleeve Nut (Green)
1 3 1/2" O-ring	1 13/16-16 Sleeve Nut (Blue)
2 3/8" NPT x 1/2" Barb Fittings	1 13/16-16 Sleeve Nut (Red)
2 -8AN Female x 1/2" Barb Fittings	4 Mounting Rods
10ft 1/2" OEM Spec Hose	4 Foam Pads
5 6" Zip Ties	4 Mounting Clips

### TOOLS NEEDED

Standard Screw Driver	7/8" Open End Wrench
Dyke Pliers	11/16" Open End Wrench
Torque Wrench	1 1/8" Open End Wrench
1 1/8" Socket	Teflon Tape

### IMPORTANT

This kit is designed to fit all vehicles with engine block oil filter landings ranging from 2 3/4" to 3 1/2", which represents 75% of all vehicles. For vehicles with 2 1/2" oil filter landings, please visit [www.derales.com](http://www.derales.com) for alternative Sandwich Adapter Kits.

### COOLER LOCATION

When selecting the best location for your vehicle, always consider a location that will deliver the maximum airflow.

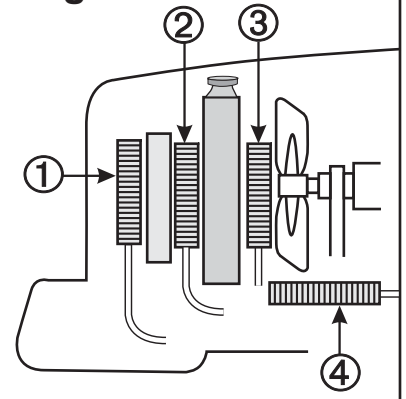
The Oil Cooler can be mounted in multiple locations on your vehicle. Reference Diagram # 1 for possible cooler positions. #1 is the ideal location, #2 is second best and #4 being the last choice.

**Note:** The Cooler core will flow in either direction, there is no specified inlet or outlet port.

### PRE-INSTALLATION

- Take the two -8AN Aluminum Fittings supplied and install them onto the Oil Cooler.
- Note:** O-ring fittings do not require any thread sealant.
- Identify the two -8AN Female x 1/2" Barb Fittings.
- Install the two -8AN Female x 1/2" Barb Fittings onto the previously installed aluminum fittings on the Oil Cooler.
- Identify the 1/2" x 10ft. OEM Spec Hose and Hose Clamps.
- Slide one hose clamp on each end of the supplied Hose.
- Using a dab of oil lubricate each end of the hose and install hose onto the 1/2" barb fittings now installed on the cooler forming a loop.
- Secure in place using the Hose Clamps. (See Diagram #2)

**Diagram #1**

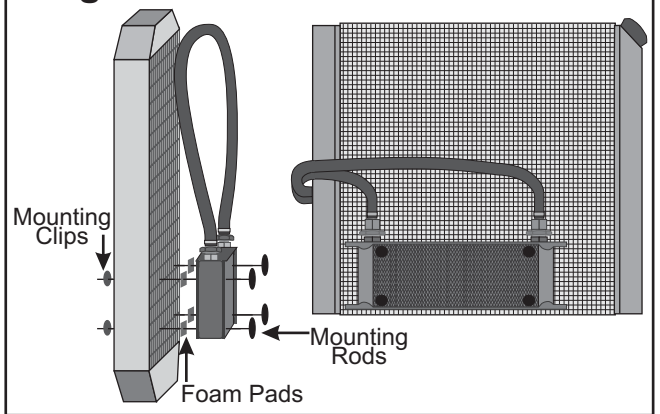


### COOLER MOUNTING

(See Diagram #2)

- Identify the 4 Mounting Rods, 4 Mounting Clips and 4 1x1 Foam Pads.
- One by one, Install the 4 Mounting Rods thru the Oil Cooler.
- Take the 1x1 Foam Pads supplied, peel off the paper lining and slide them onto the Mounting Rods, sticking them against the Oil Cooler.
- Take the Cooler Assembly with attached looped hose and hold in the desired location.
- Install the 4 Mounting Rods thru the Radiator/Condenser core.
- Warning:** Do not use excessive force when pushing the Mounting Rods through the Radiator/Condenser. Excessive force could cause damage to the fins and possibly puncture a tube.
- Take the Mounting Clips supplied, making sure they are in the correct direction (Derales writing out) install onto the Mounting Rods and cinch them until the 1x1 Foam Pads are slightly compressed.
- Cut off any excess Mounting Rods.

**Diagram #2**



### IMPORTANT

In most cases the Factory Oil Filter will work with the supplied sandwich adapter. In some applications where the frame or exhaust system interferes with the new filter depth we recommend using a shorter filter length.

**See chart below for possible filter options.**

THREAD SIZE	LABEL COLOR	FRAM FILTER HEIGHT	FRAM P/N	WIX FILTER HEIGHT	WIX P/N	FRAM FILTER HEIGHT	FRAM P/N	WIX FILTER HEIGHT	WIX P/N
3/4-16	YELLOW	4.92	PH3600	4.83	51516	3.34	PH3614	3.4	51348
13/16-16	BLUE/RED	4.94	PH3429	4.83	51045	3.36	Ph3506	3.4	51042
18mm x 1.5	WHITE	4.94	PH3980	4.83	51036	3.36	PH3387A	3.4	51040
20mm x 1.5	BLACK	3.47	PH7317	N/A	N/A	3.39	PH3593A	3.14	51381
22mm x 1.5	GREEN	4.94	PH3750	4.57	57026	3.98	PH2	3.43	57060

## SELECTING COMPONENTS

The components supplied in this kit are for multiple applications. Some components will not be used for your specific application. To easily select the correct components for your application, follow the steps below. Then proceed to the SANDWICH ADAPTER INSTALLATION section.

### Selecting the Sandwich Adapter and/or Adapter Plate

The Adapter Plate & O-ring are designed to fit vehicles with a 3 1/2" filter landing. Primarily 1963-2007 GM SB & BB V-8 engines.

1. Remove the factory oil filter from the vehicle.
2. Using a rag, clean the oil filter landing on the engine.
3. Take the supplied Sandwich Adapter and Adapter Plate.
4. To determine if your application uses the supplied Adapter Plate, first hold the Adapter Plate up to the oil filter landing on the engine block. The casting needs to seat directly onto the landing without obstruction. If the Adapter Plate is too large, then disregard the Adapter Plate and O-ring. (See Diagram #5)
5. Take the supplied Sandwich Adapter and hold it up to the oil filter landing on the engine block. The casting needs to seat directly onto the landing without obstruction. (See Diagram #4)

### Selecting the Sleeve Nut

There are 6 supplied Sleeve Nuts in this kit. Only 1 Sleeve Nut will be used for your application.

**Note:** For reference purposes Sleeve Nuts are color coded. (See Diagram #3)

1. The Red Sleeve Nut is ONLY used when the Adapter Plate is being used. If you have previously determined that your application will use the Adapter Plate then disregard the 5 remaining Sleeve Nuts. If you are not using the Adapter Plate, please disregard the Red Sleeve Nut.
2. Using the remaining 5 supplied Sleeve Nuts, try and screw each Sleeve Nut onto the filter nipple on the engine block until the correct size will completely thread onto the nipple. Once you have located the correct Sleeve Nut, disregard the remaining 4 Sleeve Nuts.

## SANDWICH ADAPTER INSTALLATION

1. Take the Sandwich Adapter and two 3/8" NPT x 1/2" Hose Barbs provided, Using Teflon Tape or suitable sealant, install the hose barb fittings onto the Sandwich Adapter.
2. Take the pre-determined Sleeve Nut. Make a note of the Colored Label on the Sleeve Nut. This will allow you to reference oil filter options if necessary.
3. Remove the Colored Label from the Sleeve Nut.
4. Apply a light coat of oil onto the O-ring(s).
5. Take the O-ring(s) and install onto the Sandwich Adapter and Adapter Plate (if used).
6. Making sure the filter landing is clean from oil and dirt, take the Sleeve Nut, Sandwich Adapter, O-ring(s) and Adapter Plate (if used) and install onto the engine sliding the Sleeve Nut thru the Sandwich Adapter. Turn the Sleeve Nut clockwise onto the engines filter nipple. (See Diagram #4 & 5)
7. Using a Torque Wrench, torque the Sleeve Nut to 20 ft. Lbs.

## ROUTING HOSES

1. Using the remaining Hose Clamps supplied, route the looped hose carefully along the frame to the Sandwich Adapter already installed on the engine making sure to stay away from moving parts, exhaust systems and any sharp objects.
2. Cut hose at desired length.
3. Connect the outlet port on the Sandwich Adapter to either port on the oil cooler.
4. Connect the inlet port on the Sandwich Adapter to the remaining port on the oil cooler.
5. Tighten Hose Clamps.
6. Using the 6" Zip Ties supplied, secure hoses in place.

## VEHICLE TESTING

1. Start the engine and quickly check all connections for leaks.
2. Turn-off the engine and check oil level.
3. Add oil as needed.

**Warning:** Installation of accessories should only be undertaken by those with mechanical knowledge and are familiar with working on vehicles. Always use eye protection (goggles, safety glasses or shield). Park the vehicle in a well lit area, on level ground and apply the parking brake. Only work on a cold vehicle that has been sitting overnight, failure to do so will result in severe burns and injury. Before starting the vehicle, make sure no tools or any other items are left under hood that could interfere with or be drawn into moving parts of the engine. Failure to follow instructions can lead to severe damage and personal injury.

Diagram #3

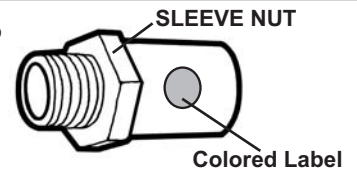
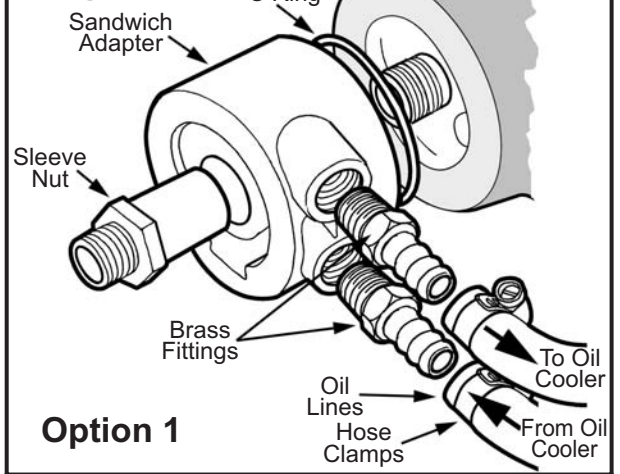
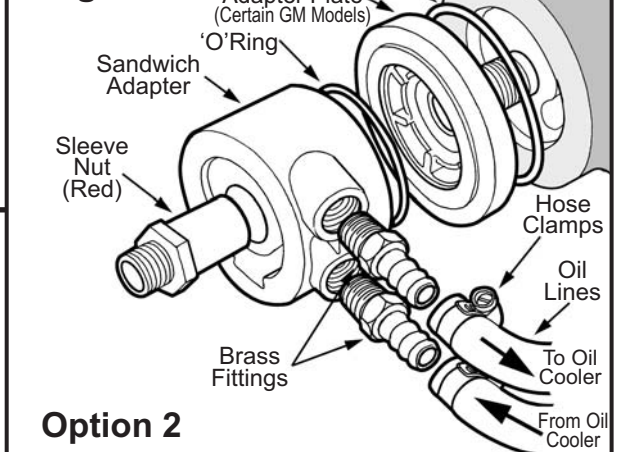


Diagram #4



Option 1

Diagram #5



Option 2