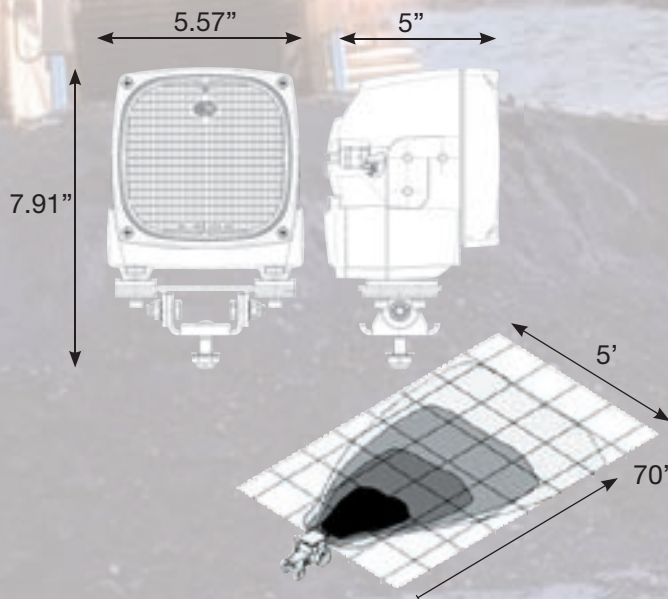


## AS 400 Work Lamp

For the most rigorous working environments, Hella's AS 400 holds up to the challenge. The AS 400 contains the lighting technology of the AS 200 Xenon in combination with a newly developed die cast aluminium housing and a special fastening holder with vibration damping for strong impact and vibration load.

The AS 400 also features a 4th generation Xenon ballast in combination with the D1S Xenon (HID) bulb with integrated igniter. The connecting cable is always fed out of the housing by means of a brass cable-screwed connection, which reliably prevents ingress of water even in case of high-pressure cleaning. The interface of the electrical plug-connection can be located in a protected area on the vehicle. The AS 400 Xenon has an integrated grip recess on the housing top.

- Water & dust proof
- Reduced electromagnetic radiation due to aluminium die-cast housing
- Thermal shock resistance



Die-Cast Aluminium Housing,  
Short Range, 12V  
Die-Cast Aluminium Housing  
Short Range, 24V

#996242101

#996242111

Hella, Inc.  
201 Kelly Drive  
Peachtree City, GA 30269  
1.877.224.3552  
www.hellausa.com  
hella.faq@hinc.hella.com

Hella, Inc. – Canada  
5650 Keaton Crescent, Unit B  
Mississauga, Ontario L5R 3G3  
1.866.990.7099  
Fax: 905.890.7288  
www.hellacanada.com



Ideas today for  
the cars of tomorrow