



Technology with Vision

K-LED 100 LED BEACON FIXED MOUNT



OPERATION

RED: To +VDC

BLACK: To Chassis Ground (-)

WHITE: For Simultaneous or Alternation Flash

Group1 Units: (Wiring - WHITE connected to RED) Will flash together

Group2 Units: (Wiring - WHITE not connected to RED) Will flash together

Group1 Units will alternate with Group2 Units

YELLOW: Flash patterns & Synchronization

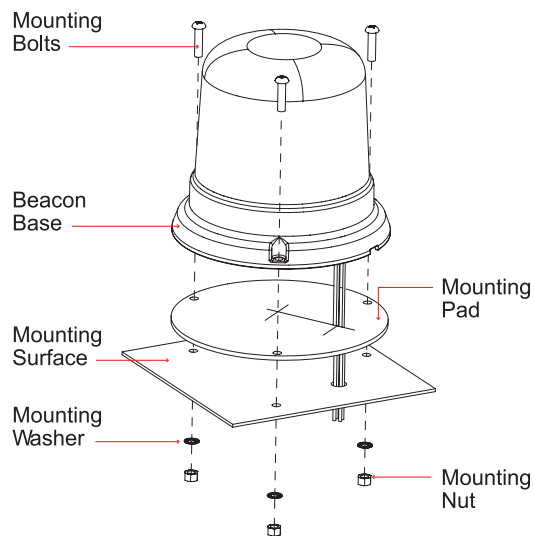
Connect YELLOW wires of all heads together for synchronization

All heads must be set at the same pattern

Momentarily apply +VDC to YELLOW wire:

- once for next pattern
- quickly 3 times for reset

3 Bolt Mount



1. Drill holes on mounting surface for wire exit and mounting bolts.
2. Secure beacon onto mounting surface with mounting bolts.

Flash Pattern #	Flash Patterns
1	Double (2Hz)
2	Single (2Hz)
3	Quad (2Hz)
4	Single
5	Double
6	Quad
7	Quint
8	Mega
9	Ultra
10	Single-Quad
11	Single H/L



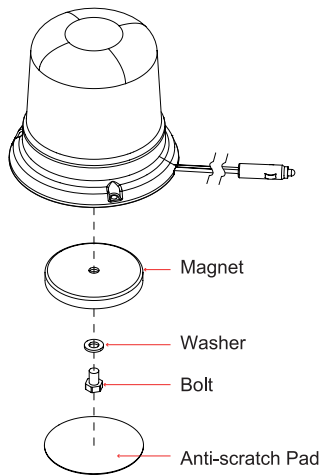
Technology with Vision

K-LED 100 LED BEACON TEMPORARY MOUNT

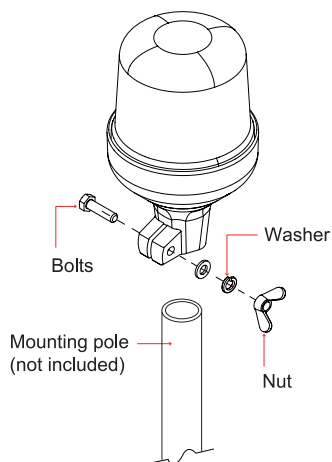


FLASH PATTERN CHANGE

Magnetic Mount

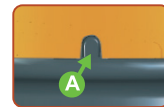


DIN Mount



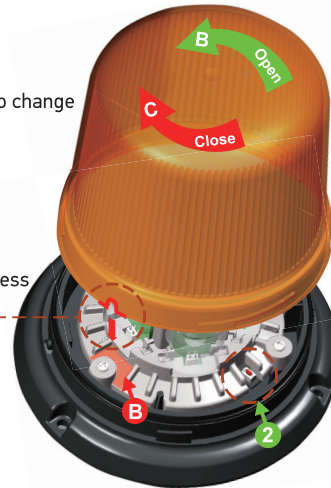
1. Open Beacon

Push down on **A**, and twist dome counter clockwise **B**, then lift down to open.



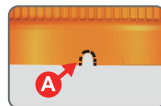
2. Change Pattern

Momentarily push red button to change to next flash pattern. (see flash pattern chart)



3. Close Beacon

Align dome indent **A** to the ribless screw **B**, then twist clockwise to close **C**



1. Open Beacon

Twist dome counter clockwise **A**, then lift down to open.

2. Change Pattern

Momentarily push red button to change to next flash pattern. (see flash pattern chart)



3. Close Beacon

Align dome indent **A** to the DIN base vertical line **B**, then twist clockwise to close. **C**



WARNING: It is not recommended to use magnetically mounted warning devices on the outside of vehicles in motion. Usage is at the sole risk and responsibility of the user.