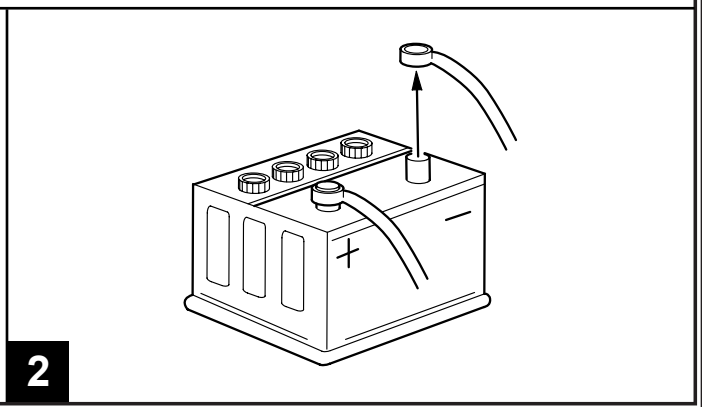
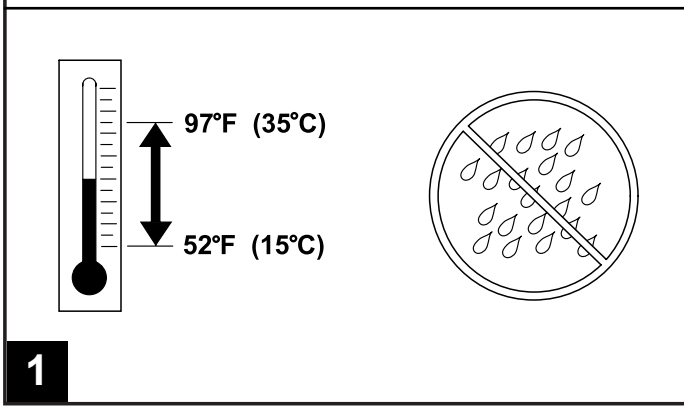
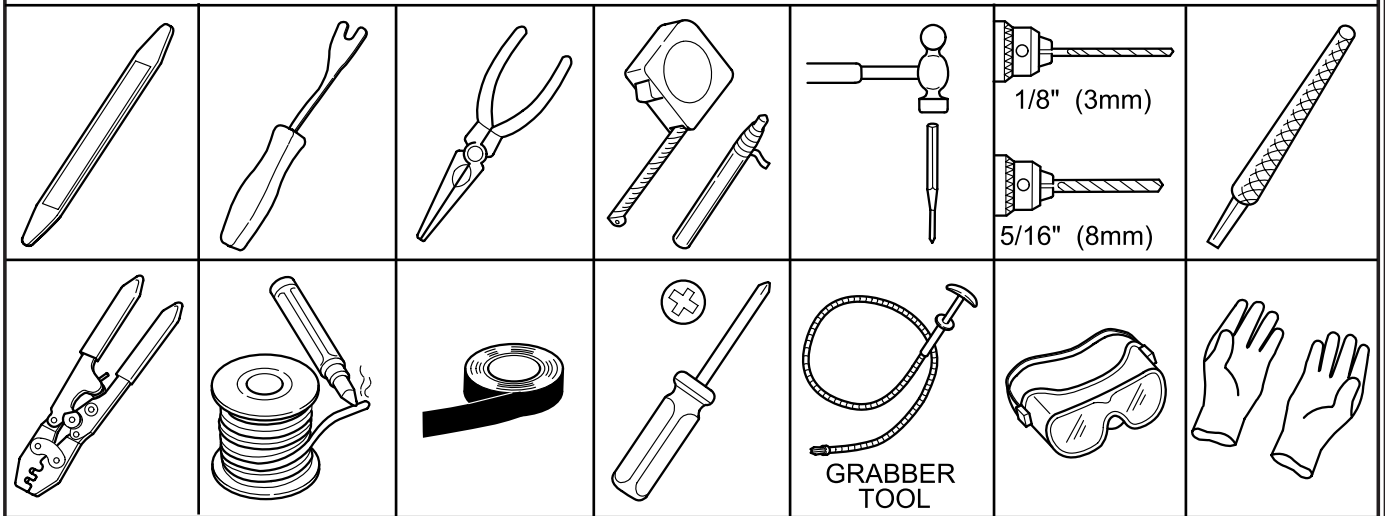
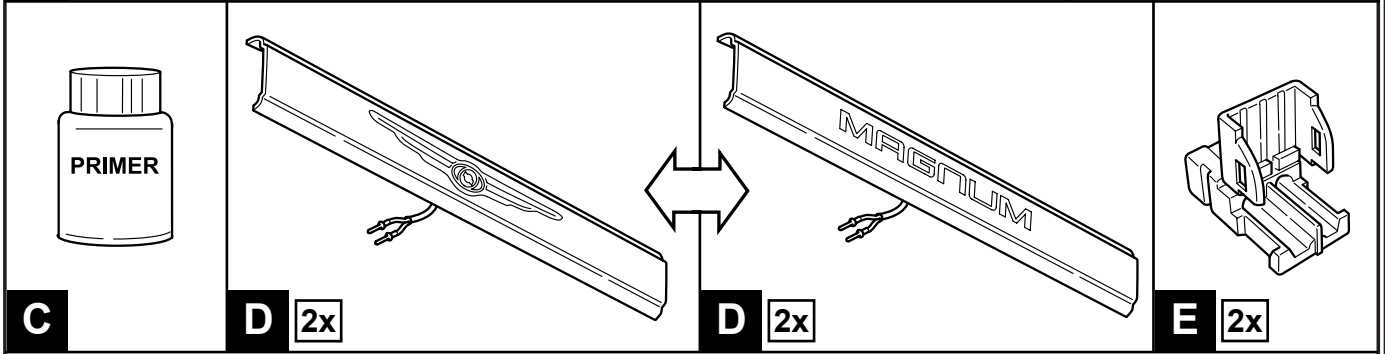
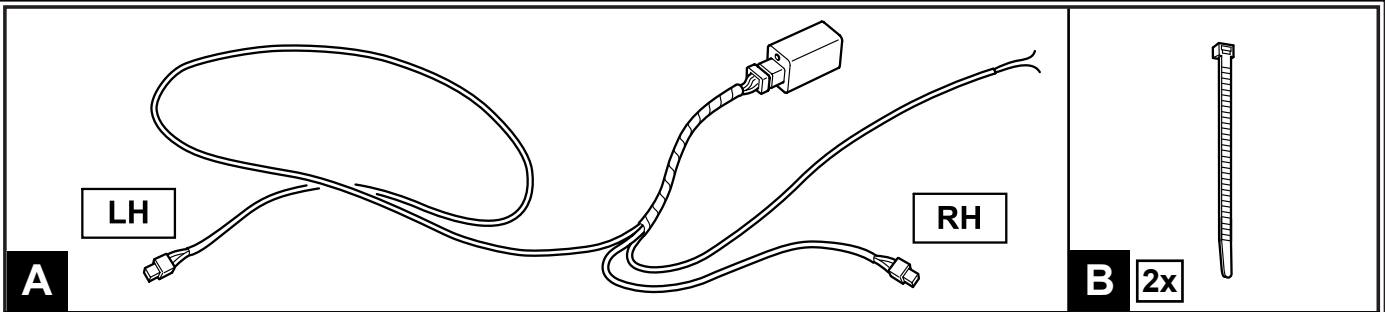
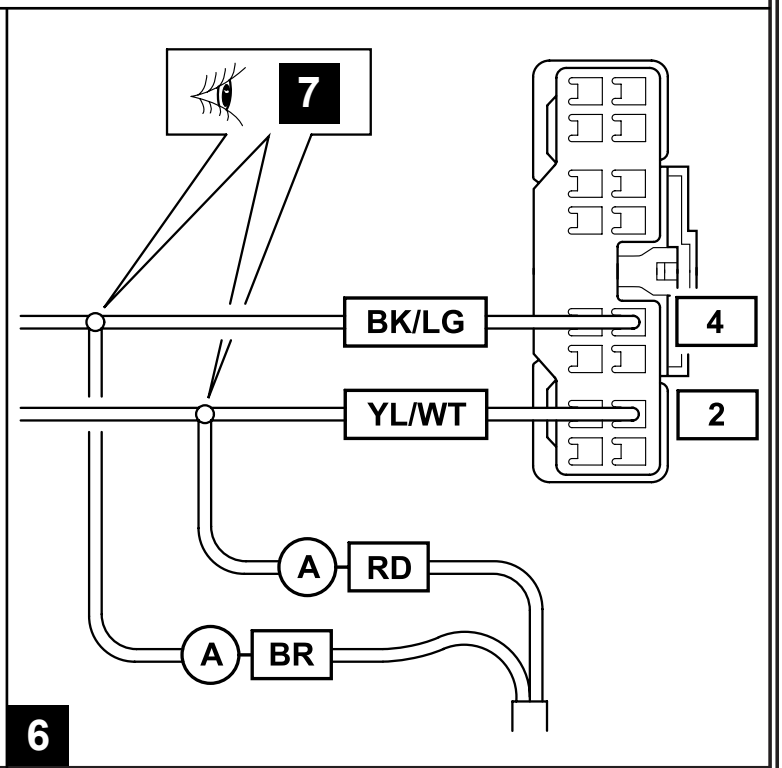
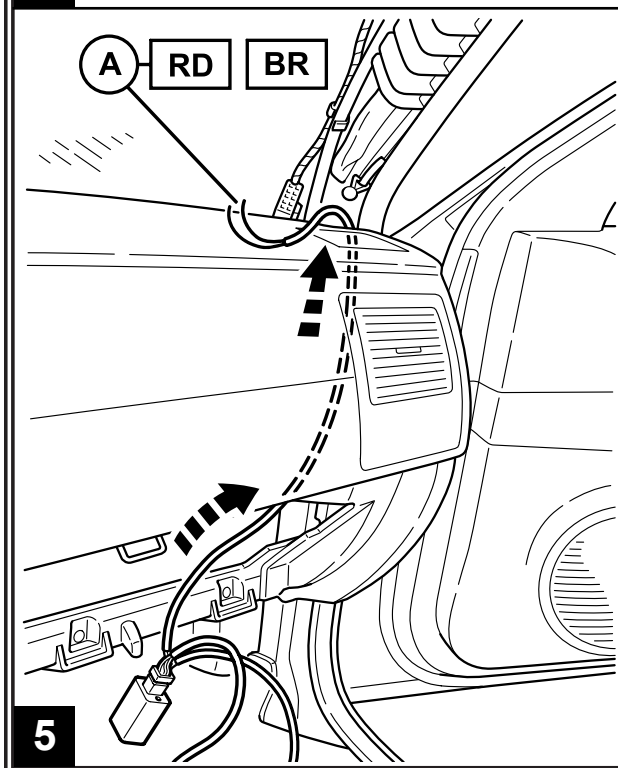
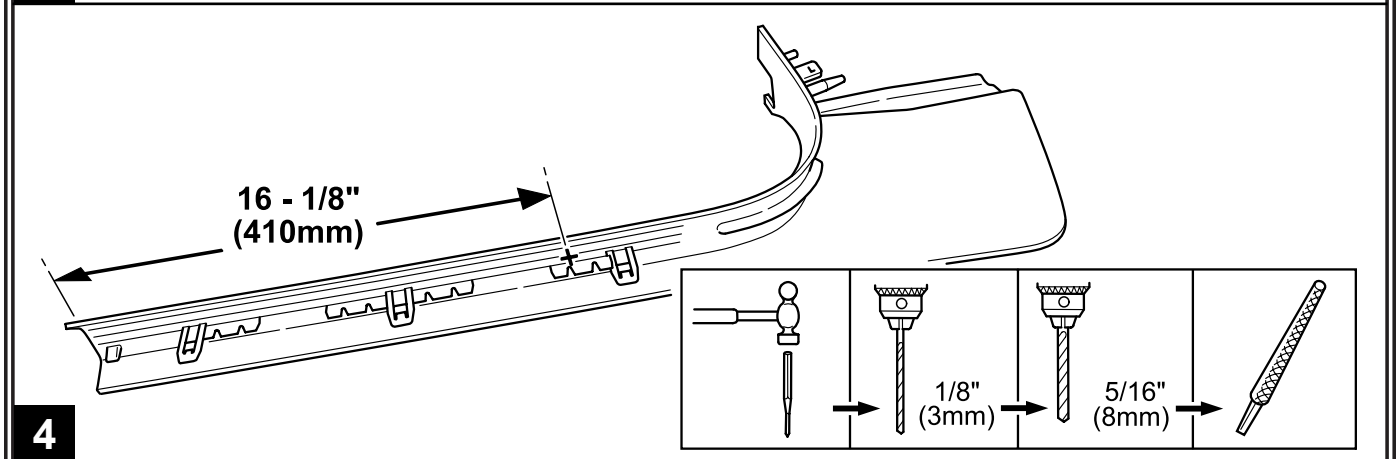
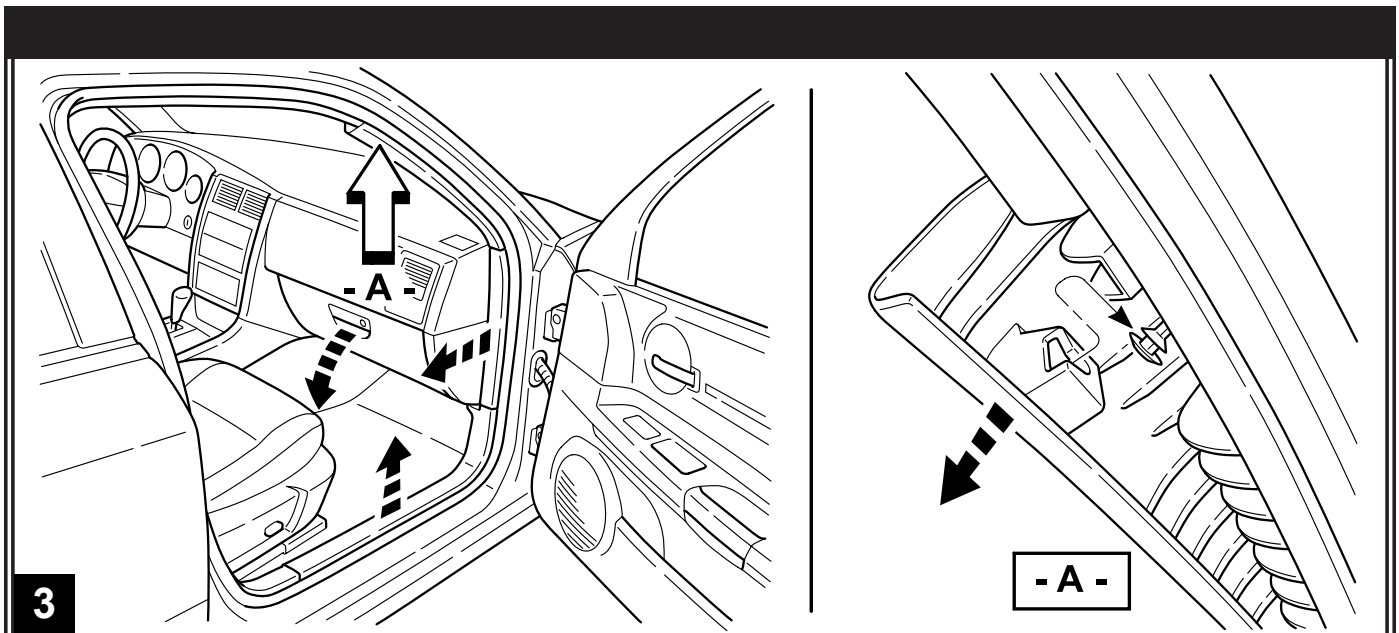


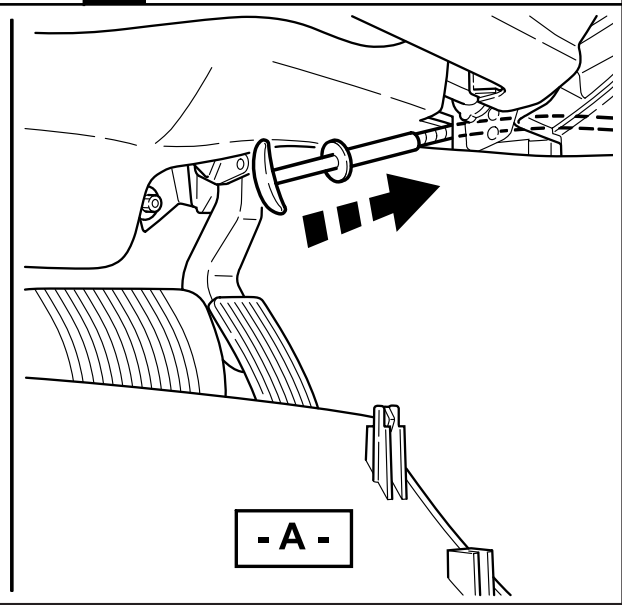
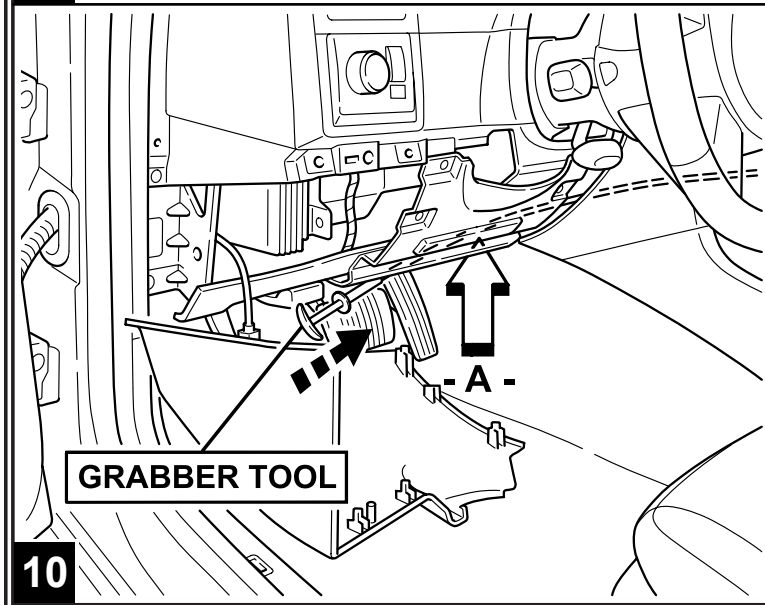
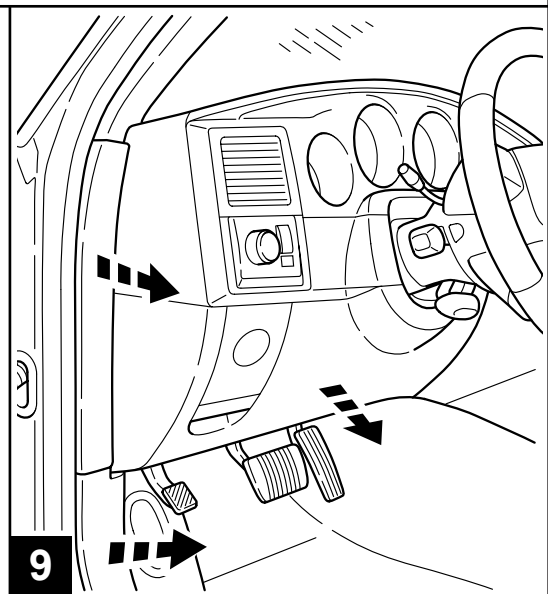
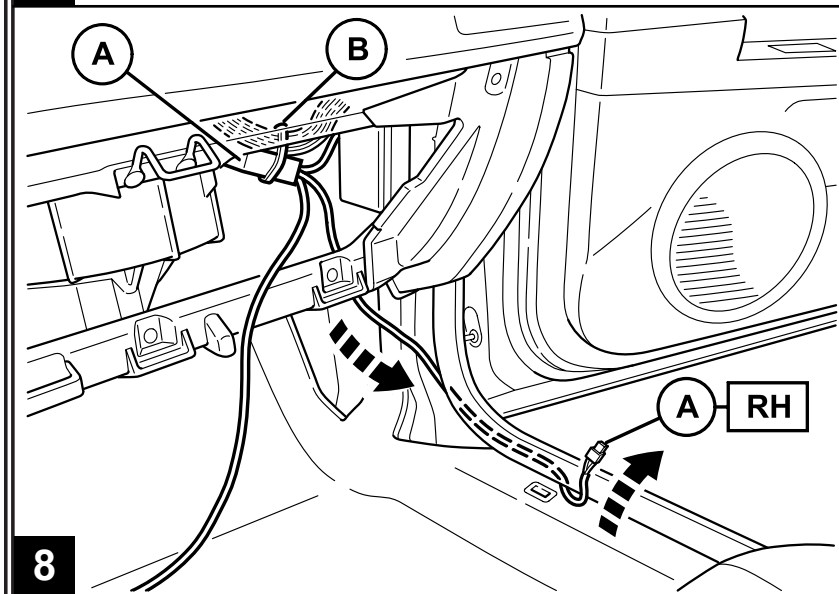
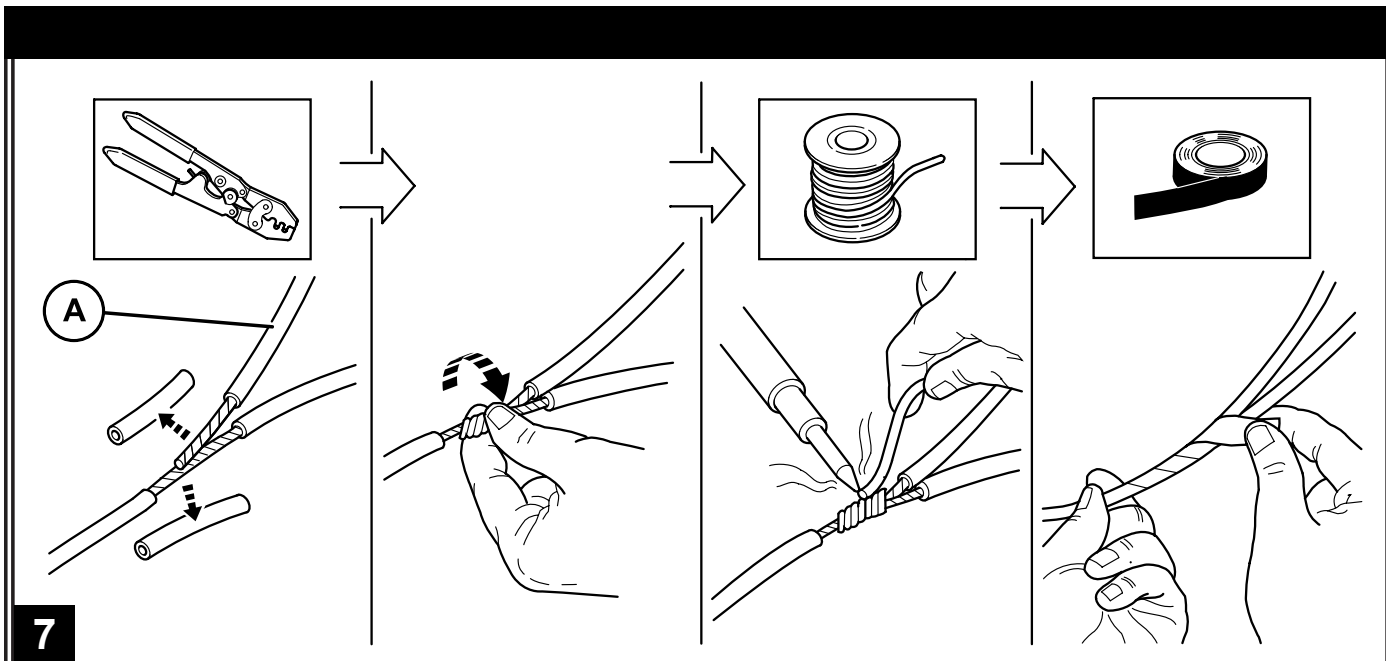


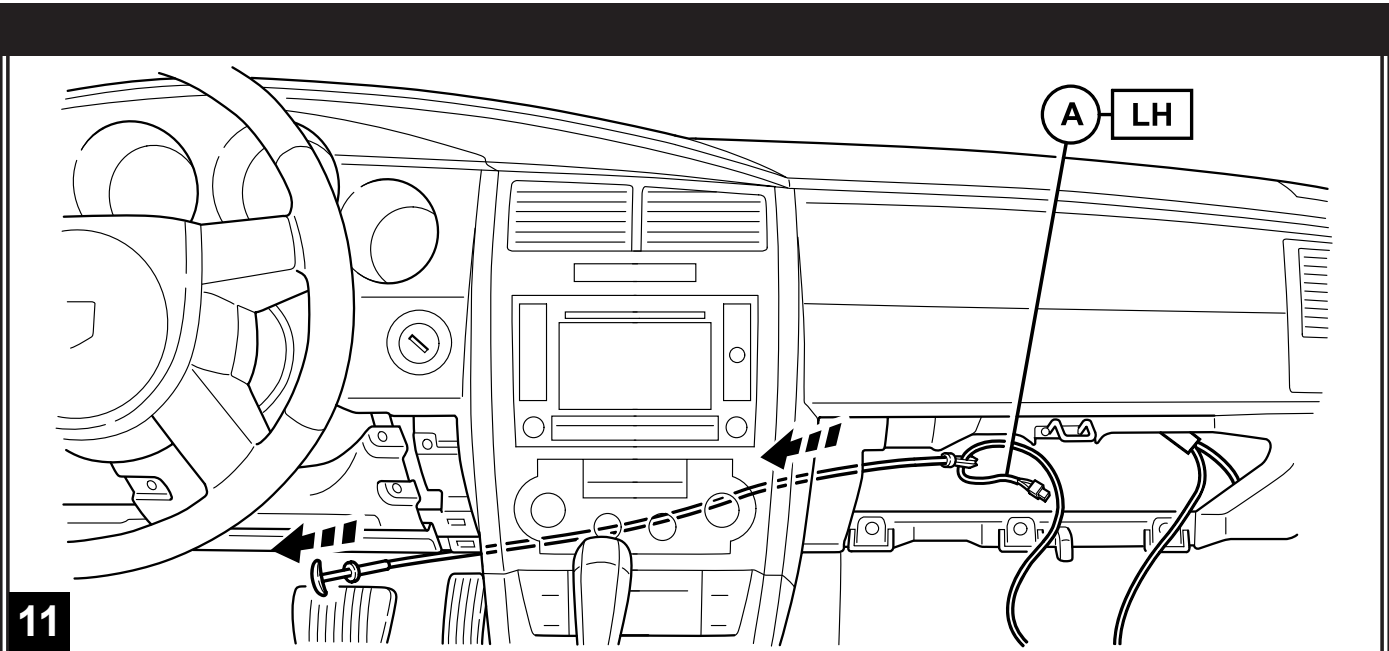
MOPAR®

CHRYSLER 300/DODGE MAGNUM Illuminated Door Scuff Plates

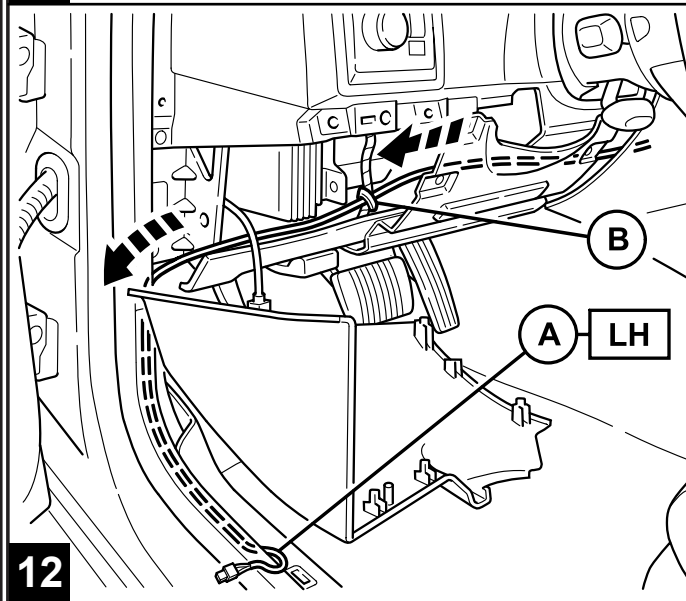




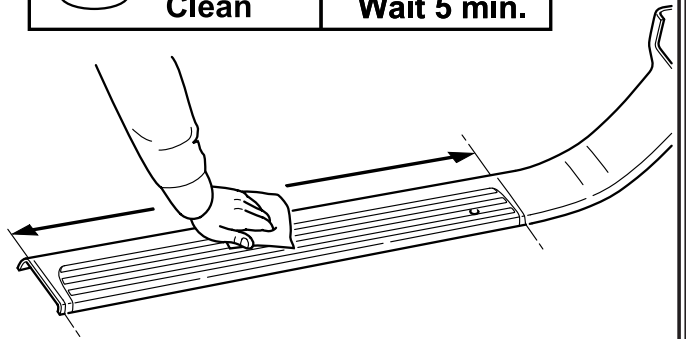
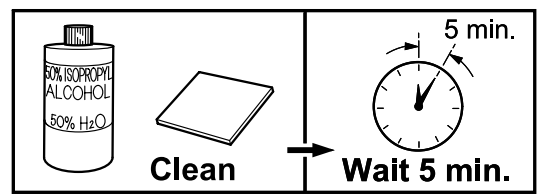




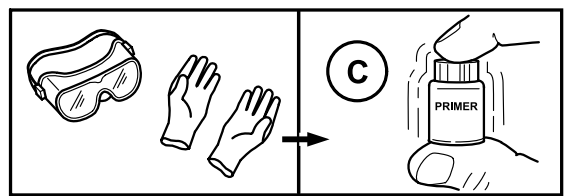
11



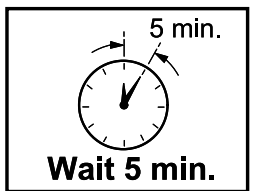
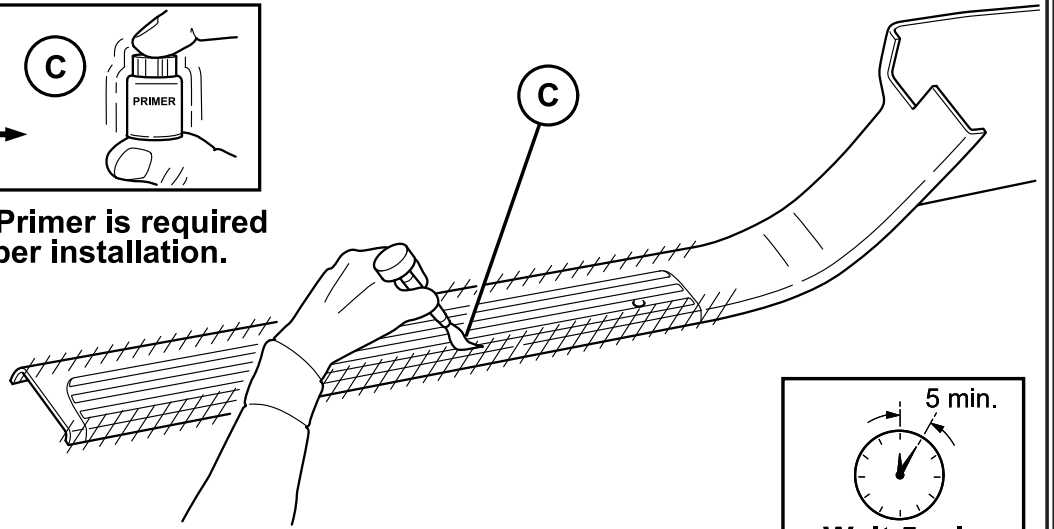
12



13 LH / RH



⚠ Use of Primer is required for proper installation.



14 LH / RH

