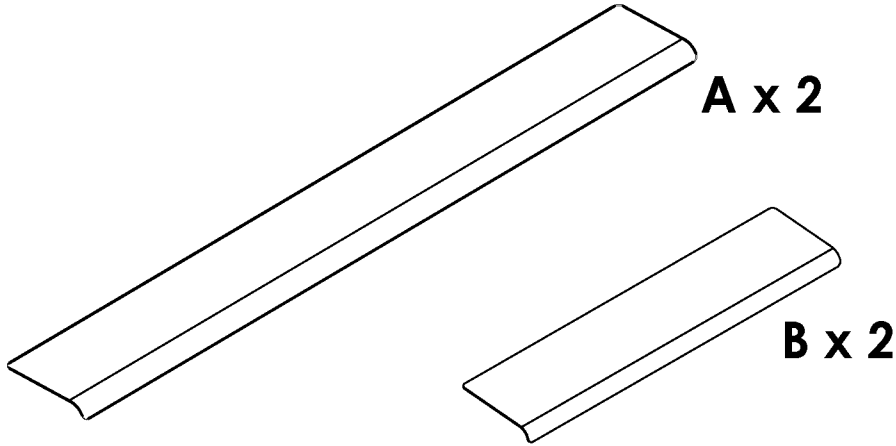


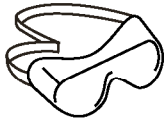


CHRYSLER SEBRING / DODGE AVENGER DOOR ENTRY SILLS



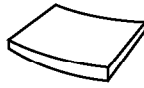
- A. 2 FRONT DOOR SILLS
- B. 2 REAR DOOR SILLS

A



GOGGLES

B EYE PROTECTION



ALCOHOL PAD

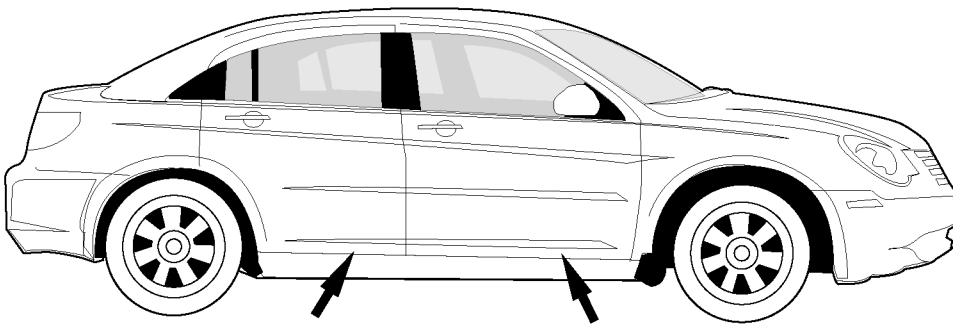
C PREP KIT



CLEANING CLOTH



GLOVES



1



97°F
35°C
52°F
15°C

2



APPLICATION:

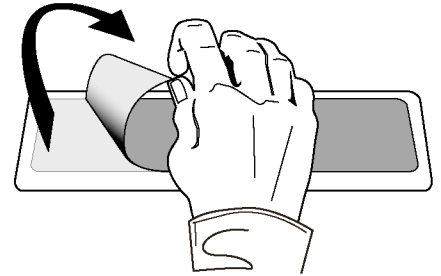
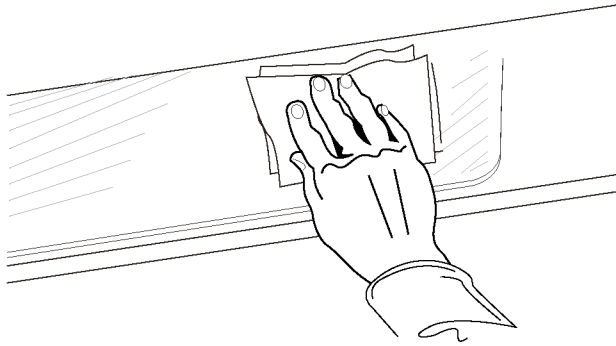
- Clean areas to be covered with door sills using Isopropyl Alcohol Swab & allow to dry for 2 minutes.
- When cleaning, constantly use a new section of towel as you move from area to area.
- **Warning:** Cleaning solvents may cause discoloration to vinyl. Be careful to clean only those areas which will be covered by door sills.

IMPORTANT NOTICE

Prior to installation, check the entire kit for possible damage or defects. If damage is found, contact Vendor for a replacement.

DO NOT INSTALL ANY PARTS. YOU MUST RETURN THE COMPLETE KIT IF YOU WISH TO MAKE A WARRANTY CLAIM.

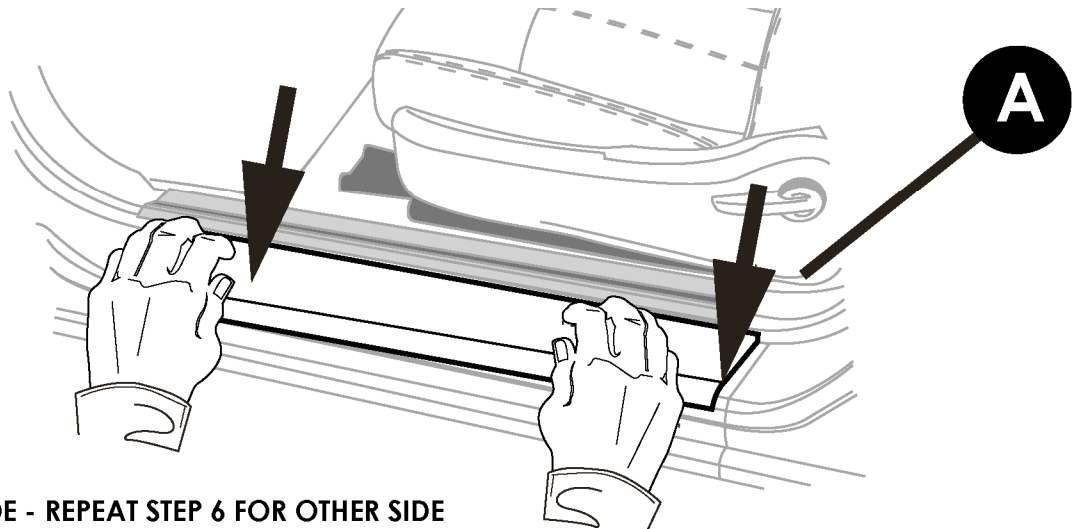
3



4 CLEAN ALL APPLICABLE SURFACES

5 REMOVE TAPE LINER PRIOR TO APPLICATION

6 FRONT DRIVER SIDE - REPEAT STEP 6 FOR OTHER SIDE



7 REAR DRIVER SIDE - REPEAT STEP 7 FOR OTHER SIDE

