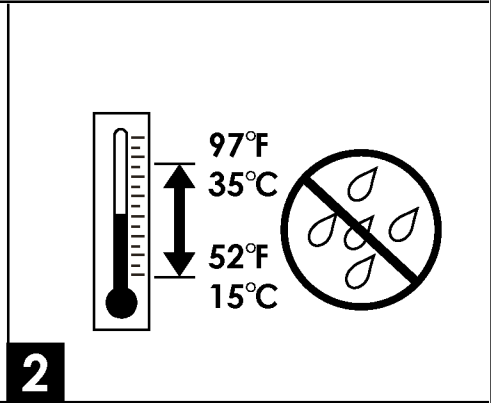
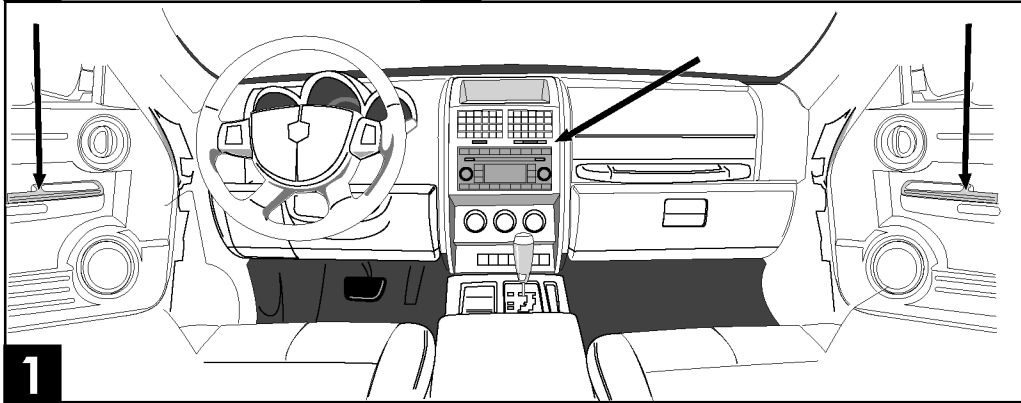
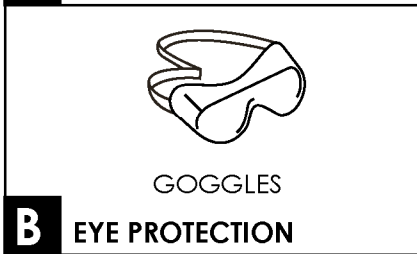
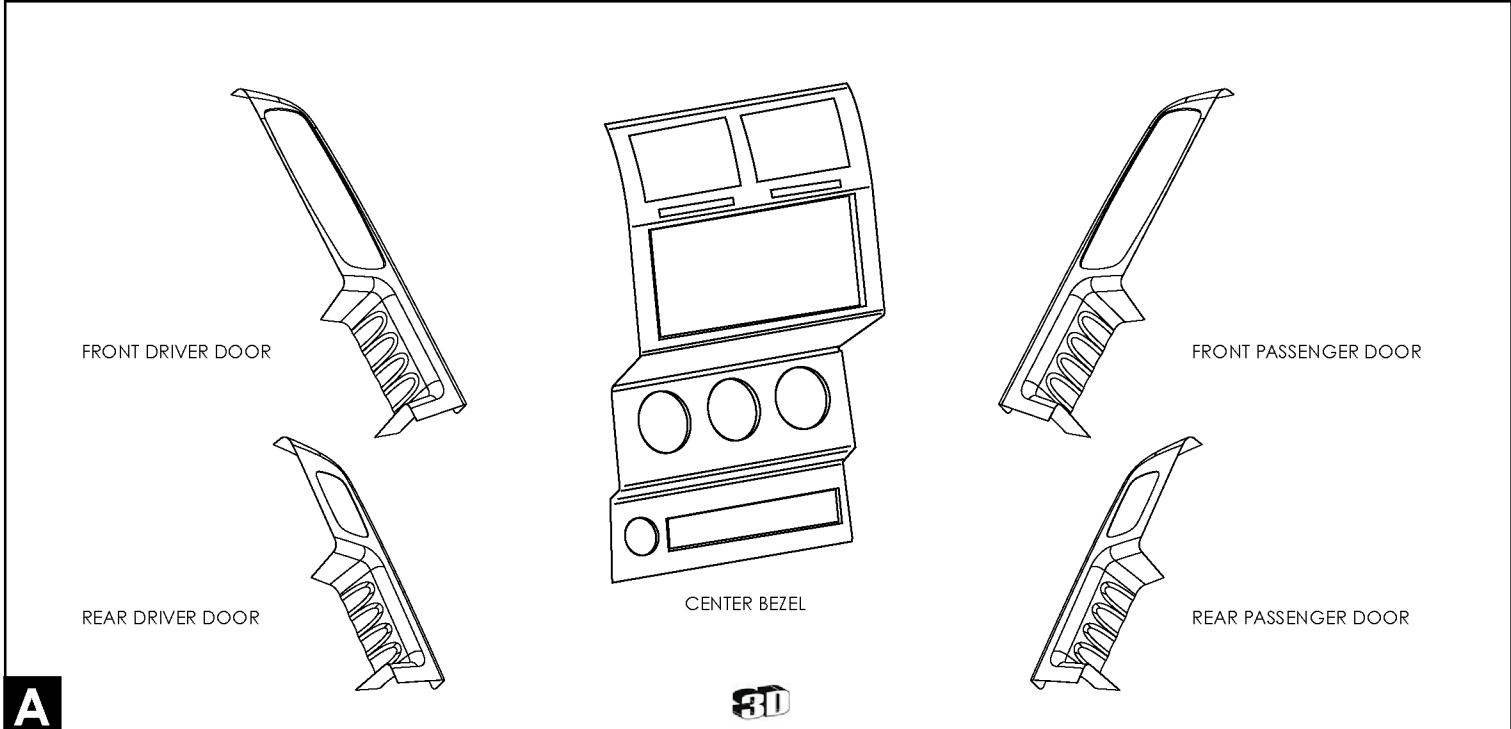




# DODGE NITRO INTERIOR TRIM APPLIQUÉS



### APPLICATION:

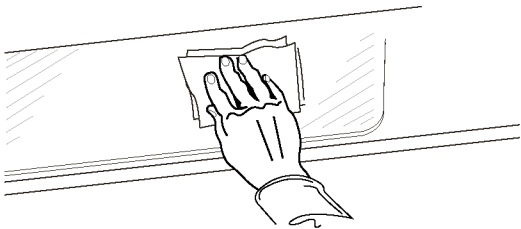
- Clean areas to be covered with interior trim using Isopropyl Alcohol Swab & allow to dry for 2 minutes.
- When cleaning, constantly use a new section of towel as you move from area to area.
- **Warning:** Cleaning solvents may cause discoloration to vinyl. Be careful to clean only those areas which will be covered by interior trim kit.

### IMPORTANT NOTICE

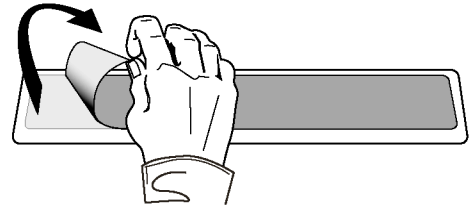
Prior to installation, check the entire kit for possible damage or defects.  
If damage is found, contact Vendor for a replacement.

**DO NOT INSTALL ANY PARTS. YOU MUST RETURN THE COMPLETE KIT IF YOU WISH TO MAKE A WARRANTY CLAIM.**

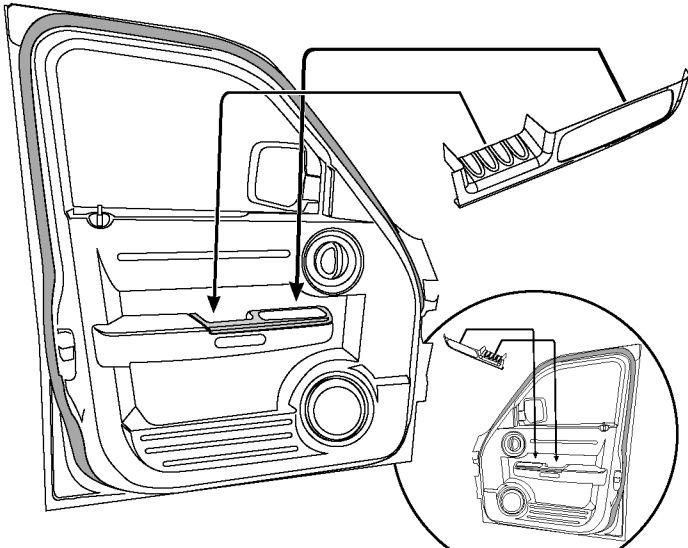
**3**



**4** CLEAN ALL APPLICABLE SURFACES

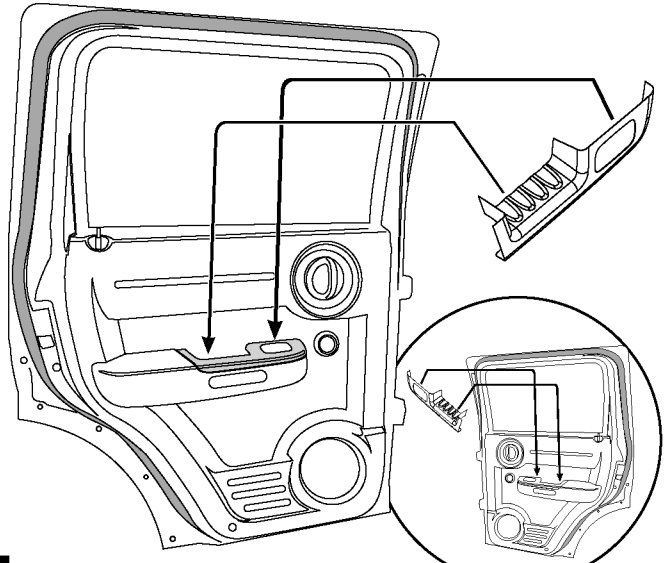


**5** REMOVE TAPE LINER PRIOR TO APPLICATION



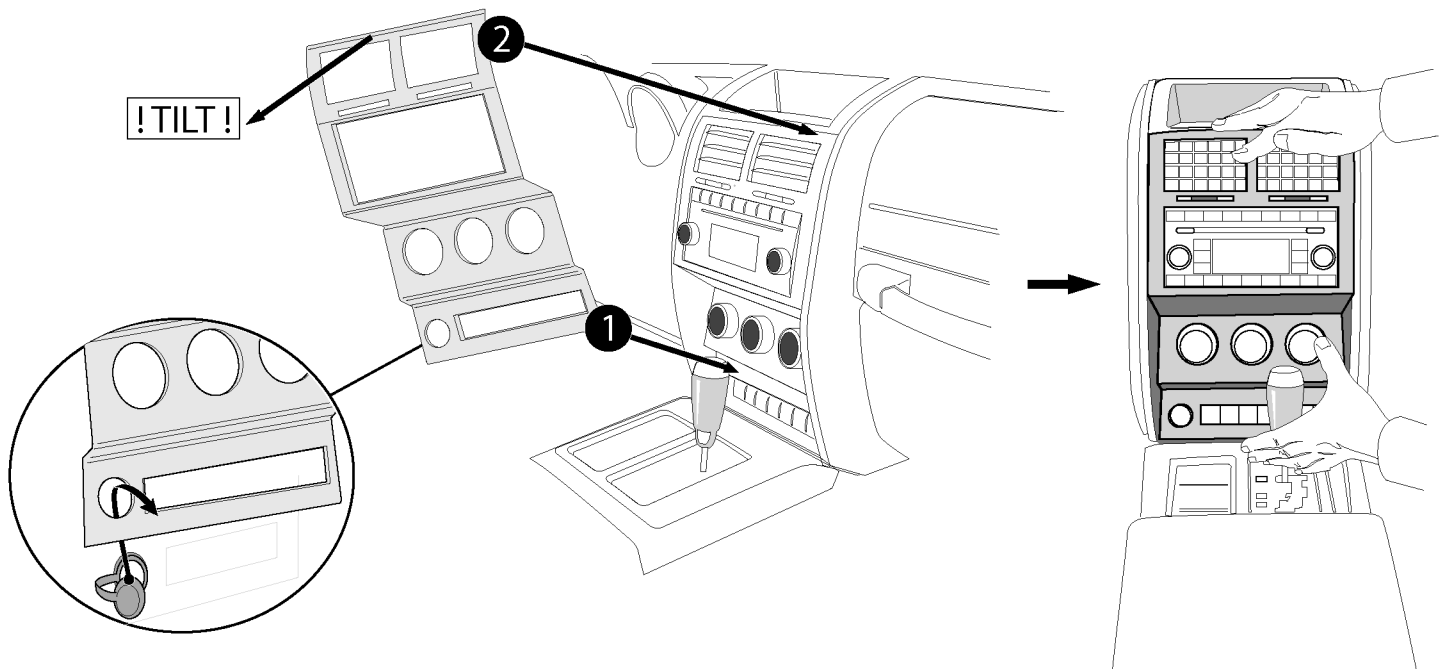
**6** FRONT DRIVER DOOR

REPEAT OTHER SIDE



**7** REAR DRIVER DOOR

REPEAT OTHER SIDE



**8** CENTER BEZEL