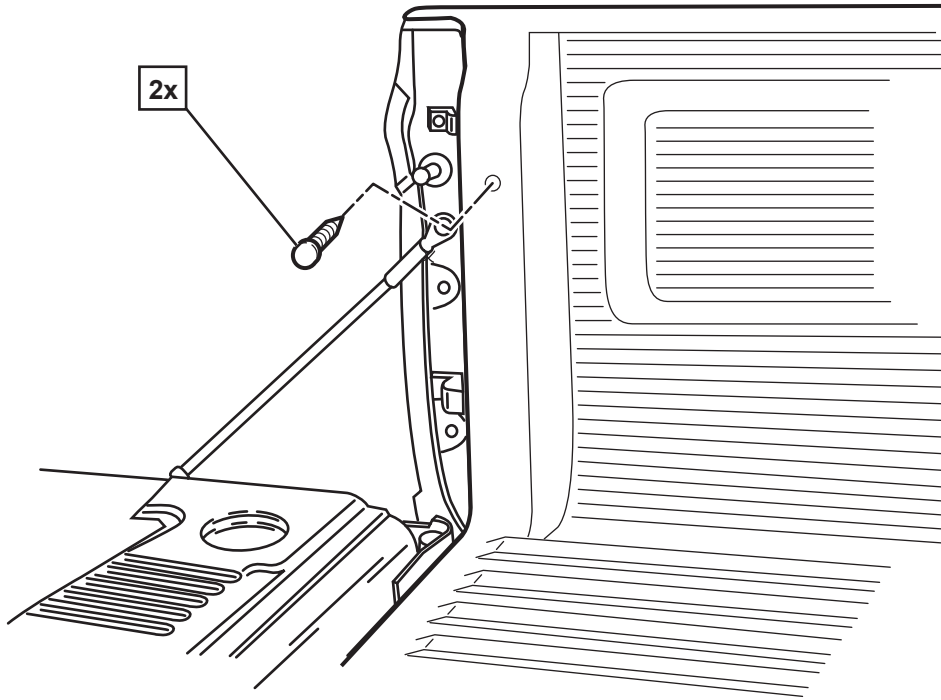
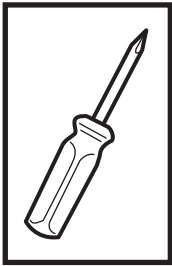
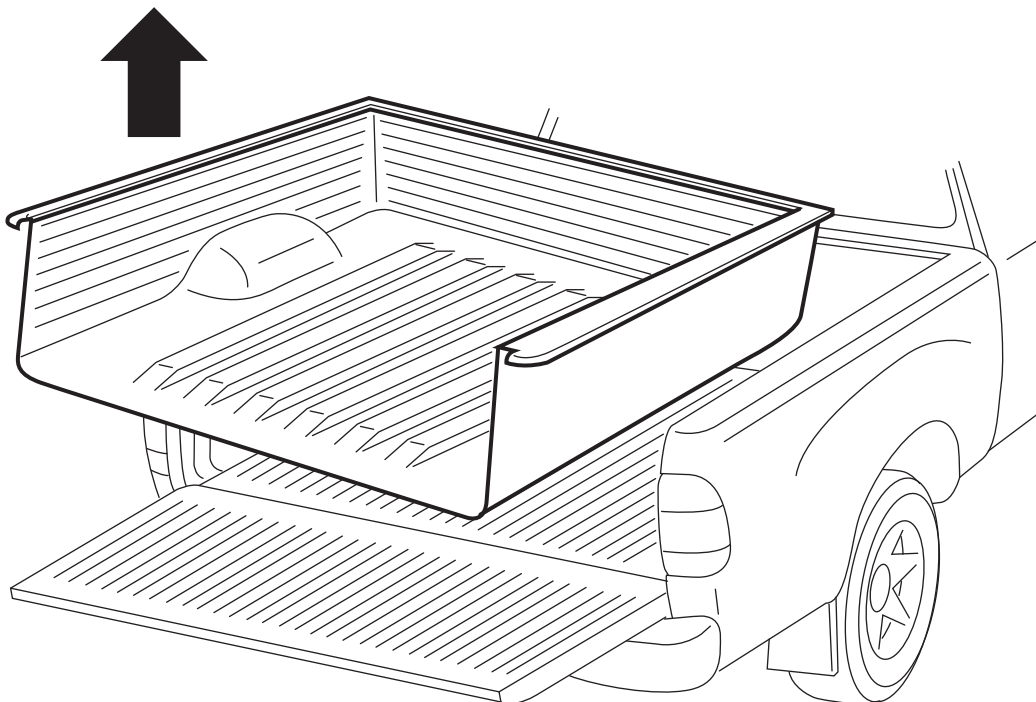


| | | | | | | | | | | | | | | | | | | | | |
|---------------|---------|--------------|--|----------------|-----|--|-----|--|-----|--|-----|--|----|--|----|--|---------------|--|------|--|
| | | | | | | | | | | | | | | | | | | | | |
| | | 82300508 | | 02 | | | | | | | | | | | | | | | | |
| M6x1.0 | M8 | M8 | 1/2" | 5/16" 10mm | | | | | | | | | | | | | | | | |
| | 4mm | | <table border="1"> <tr> <td>12X</td> <td></td> <td>16X</td> <td></td> </tr> <tr> <td>12X</td> <td></td> <td>16X</td> <td></td> </tr> <tr> <td>2X</td> <td></td> <td>4X</td> <td></td> </tr> <tr> <td colspan="2">5.7' and 6.3'</td> <td colspan="2">8.0'</td> </tr> </table> | | 12X | | 16X | | 12X | | 16X | | 2X | | 4X | | 5.7' and 6.3' | | 8.0' | |
| 12X | | 16X | | | | | | | | | | | | | | | | | | |
| 12X | | 16X | | | | | | | | | | | | | | | | | | |
| 2X | | 4X | | | | | | | | | | | | | | | | | | |
| 5.7' and 6.3' | | 8.0' | | | | | | | | | | | | | | | | | | |
| | | | | | | | | | | | | | | | | | | | | |

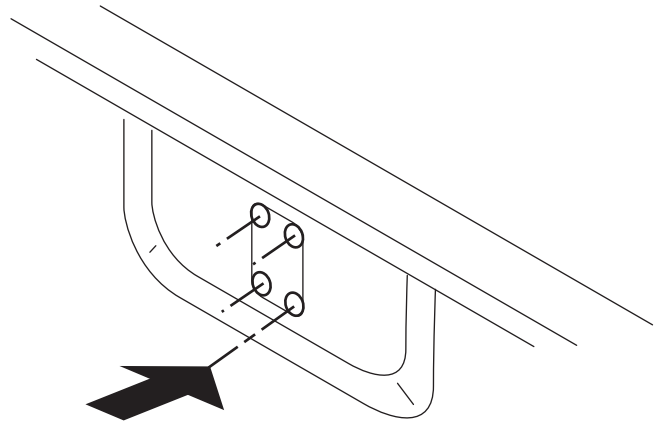
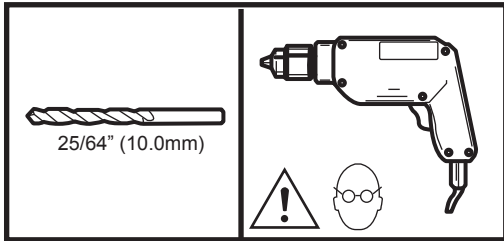
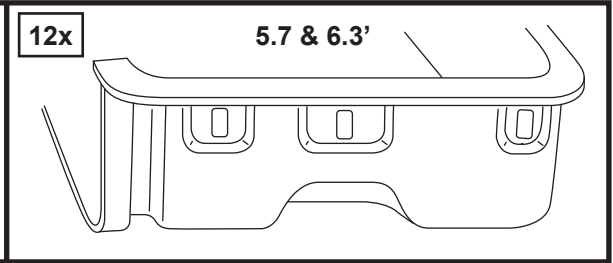
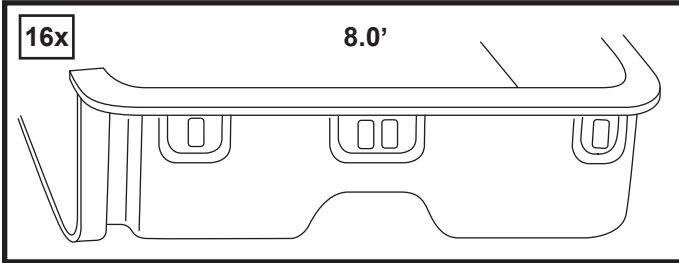
1



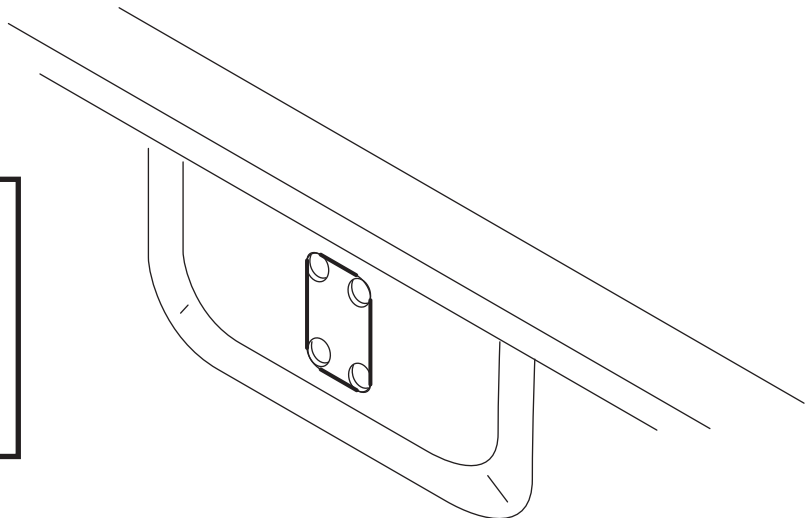
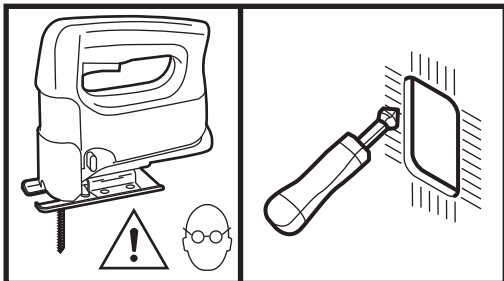
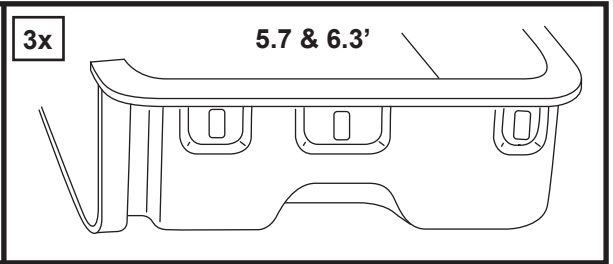
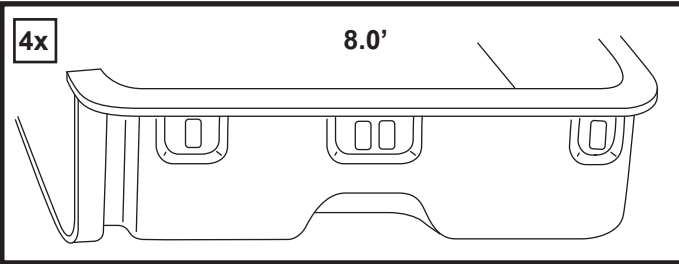
2



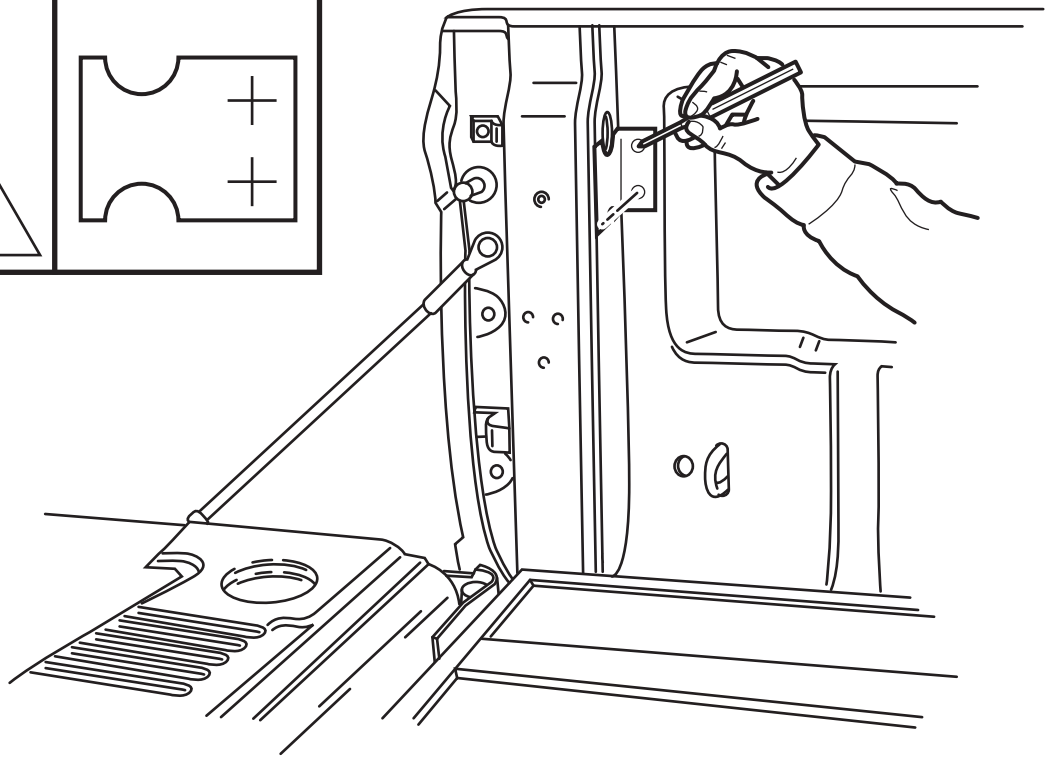
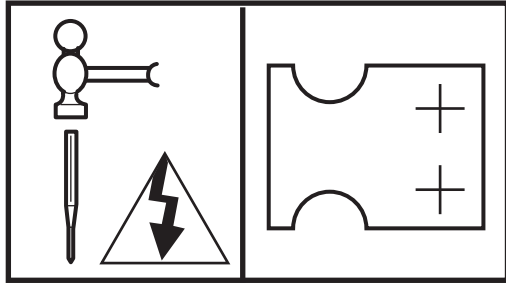
3



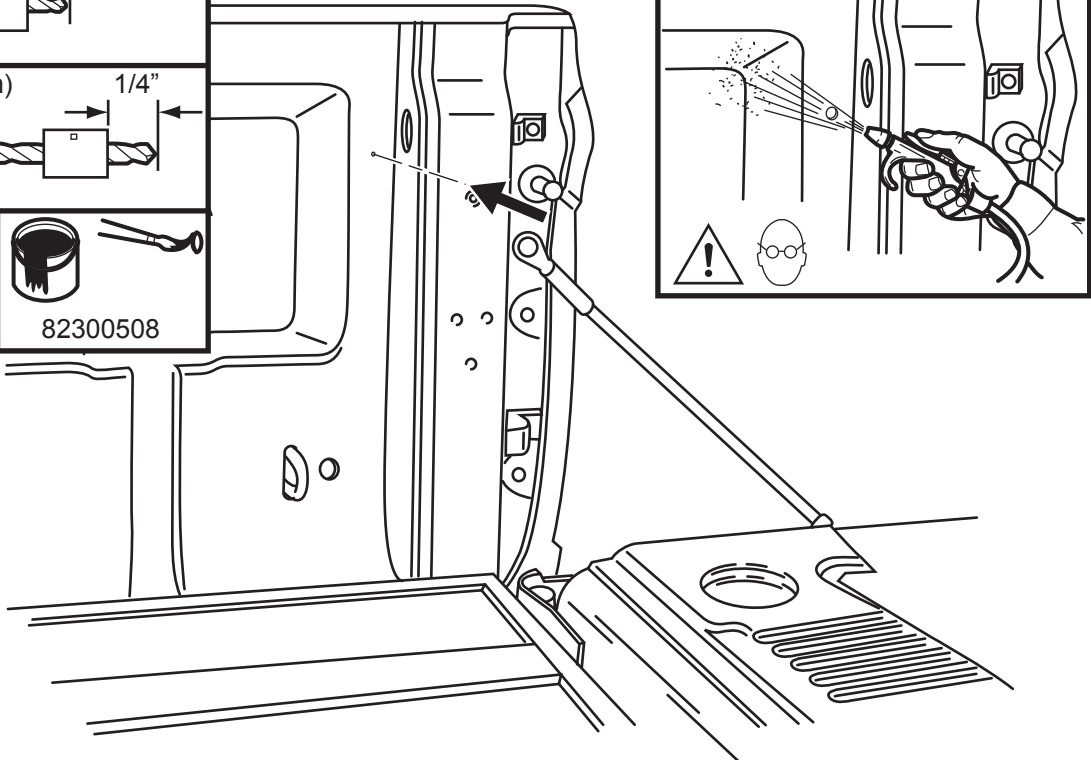
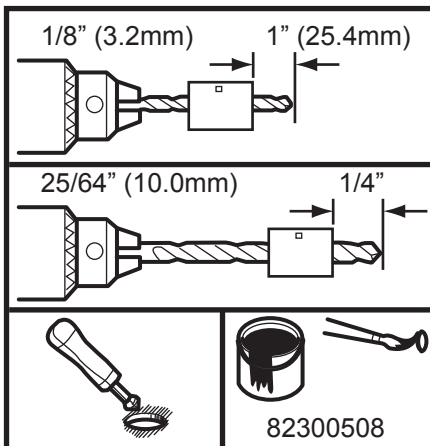
4



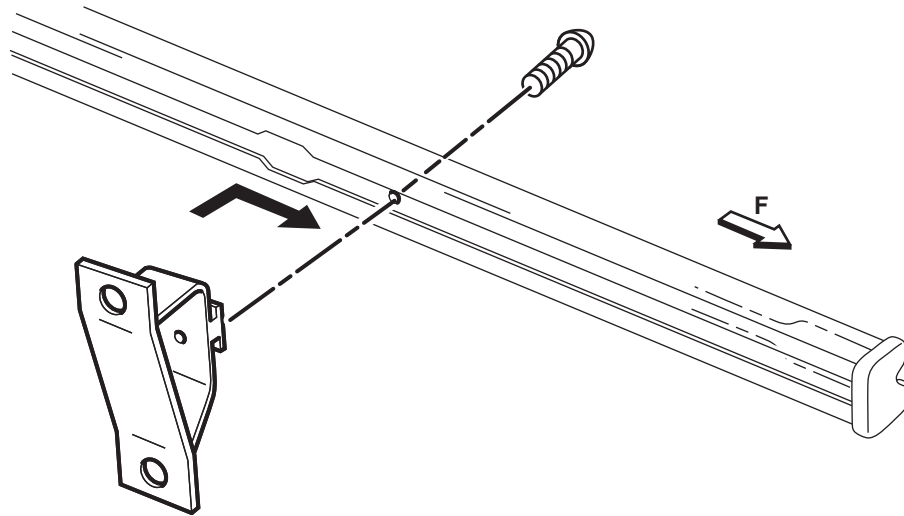
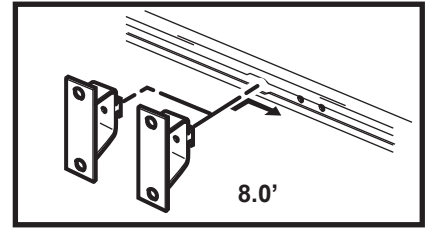
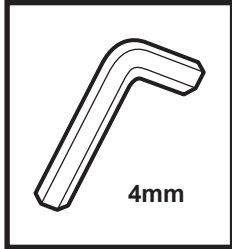
5



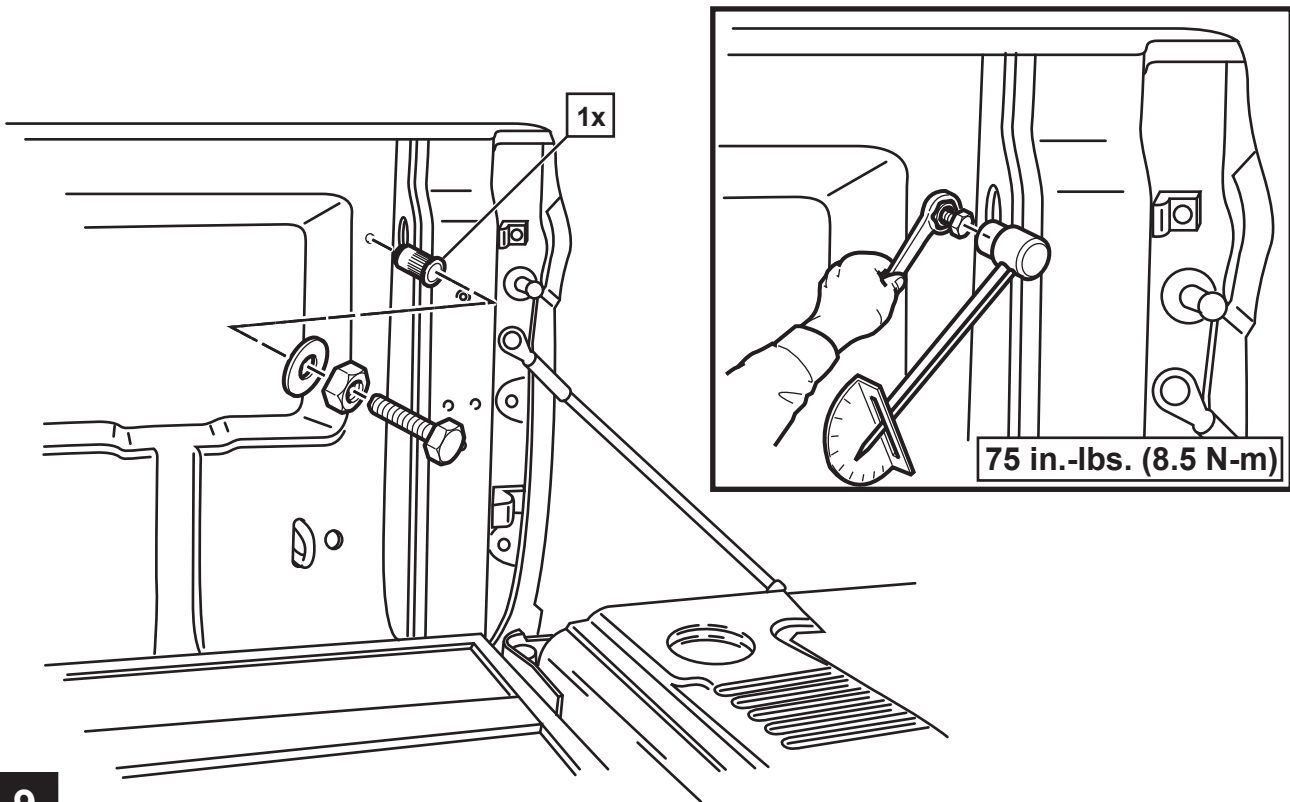
6

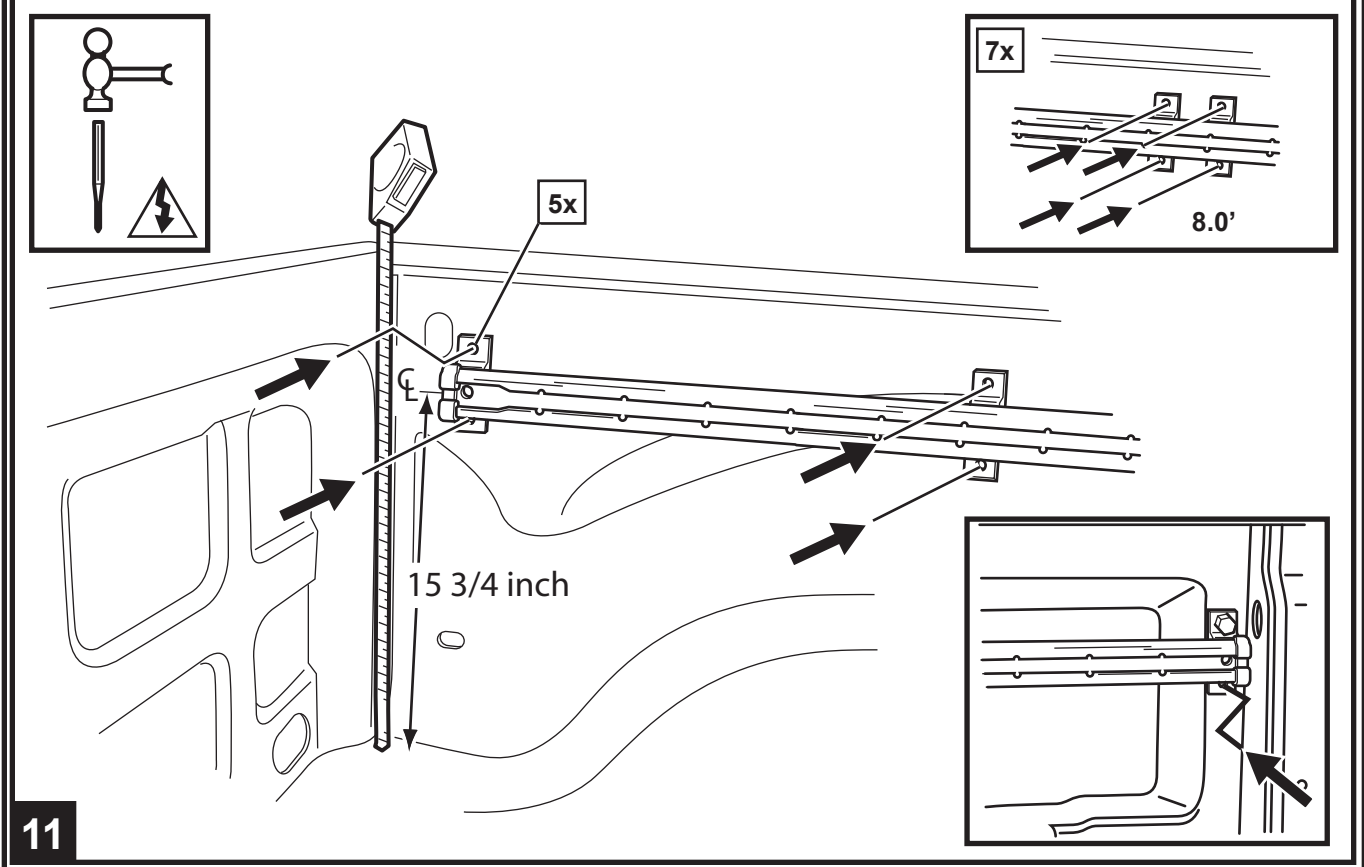
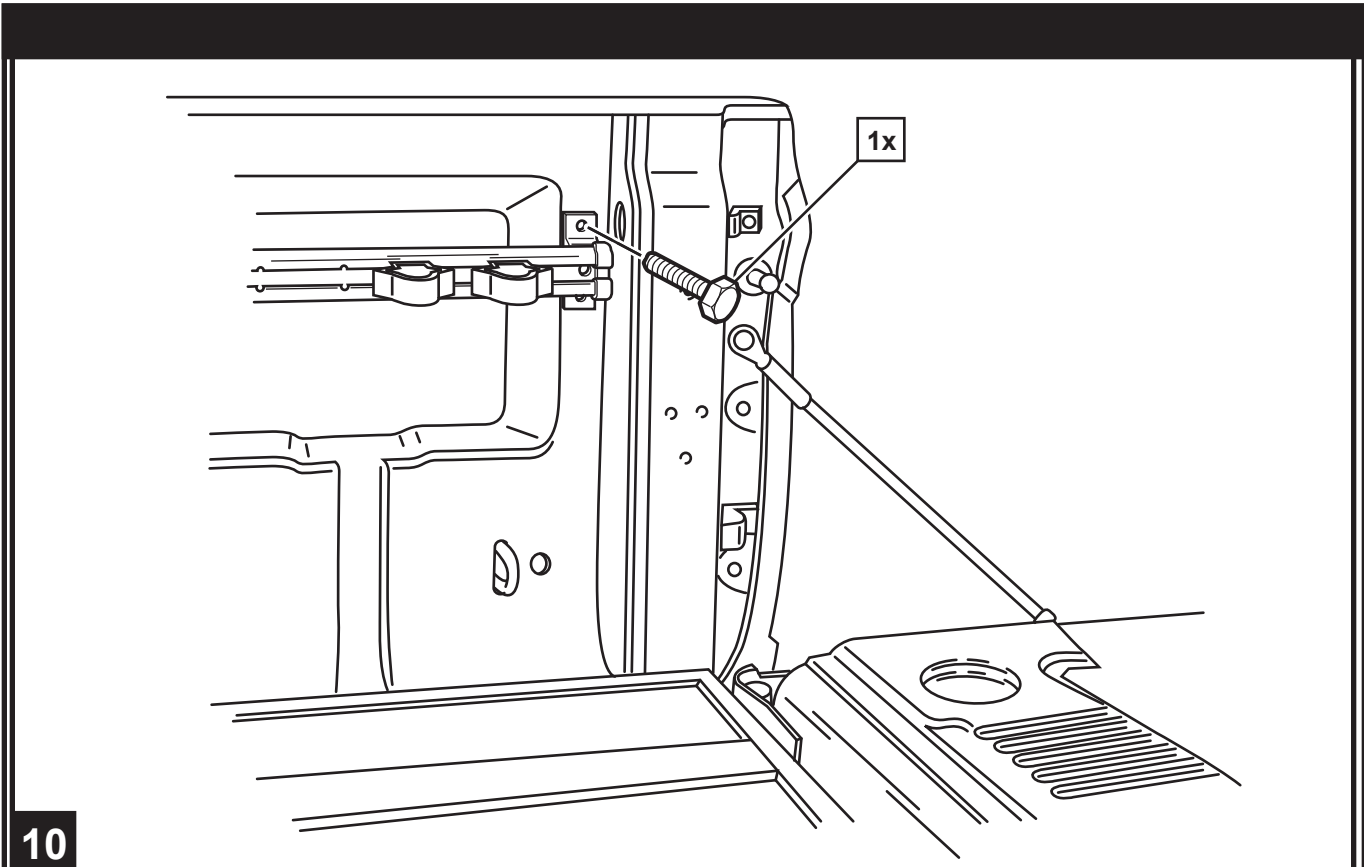


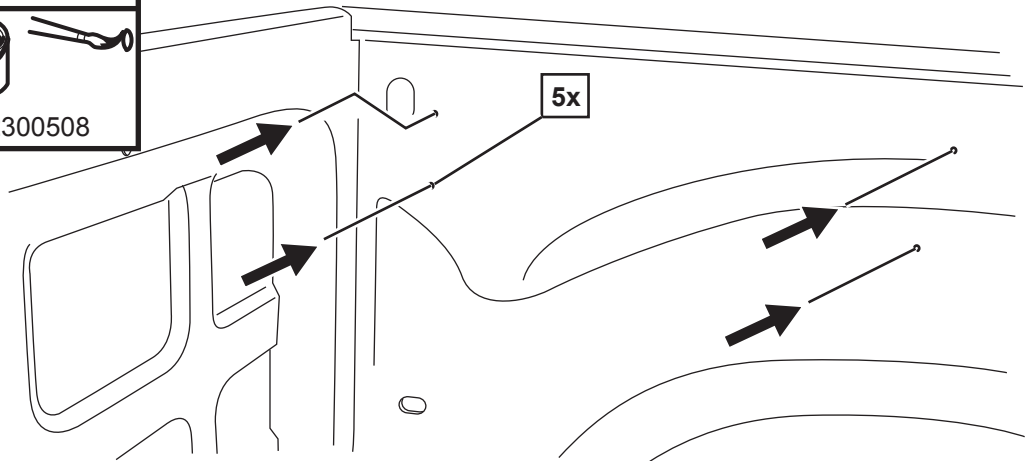
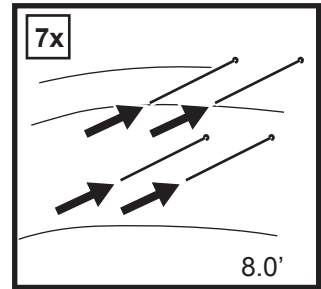
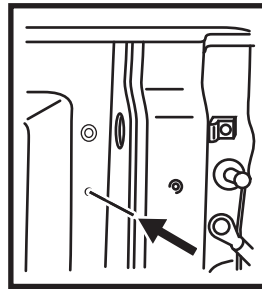
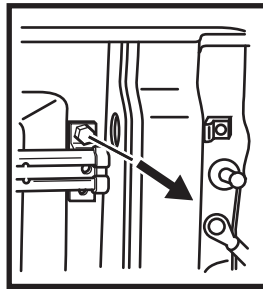
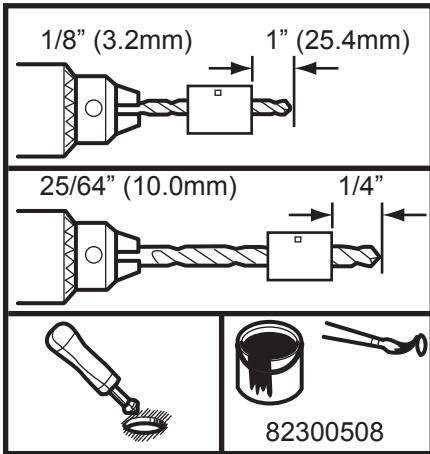
7



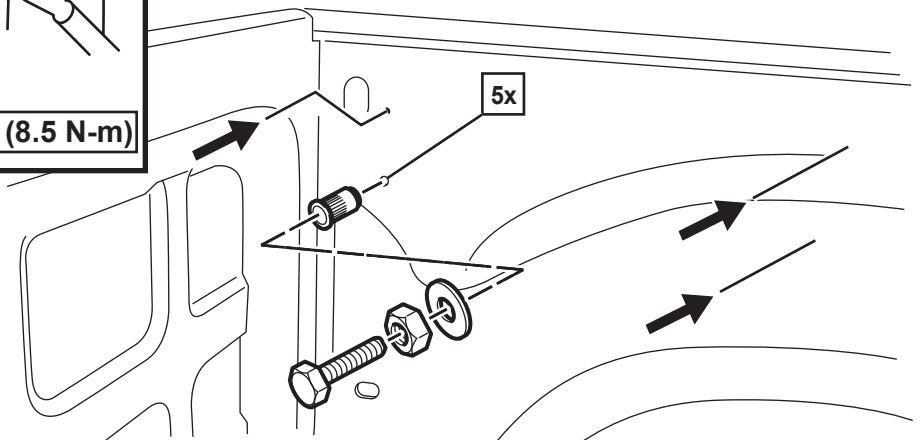
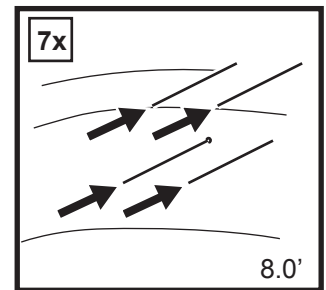
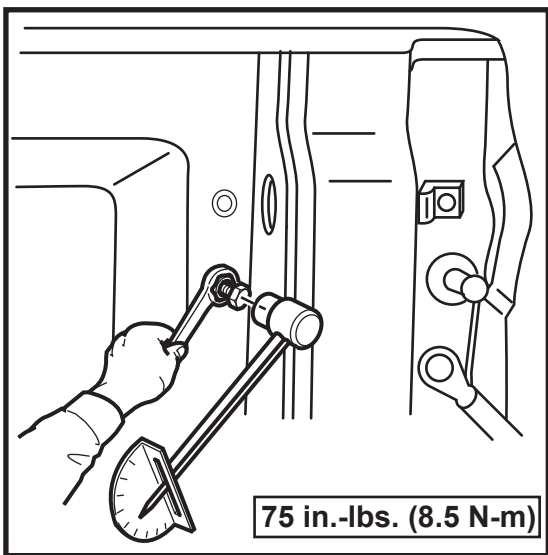
8



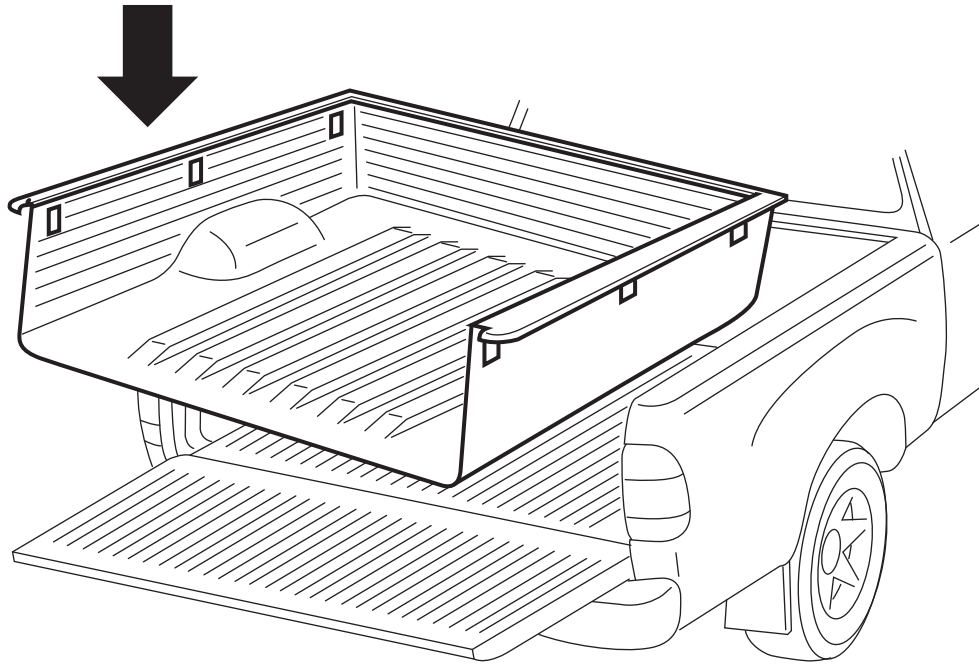




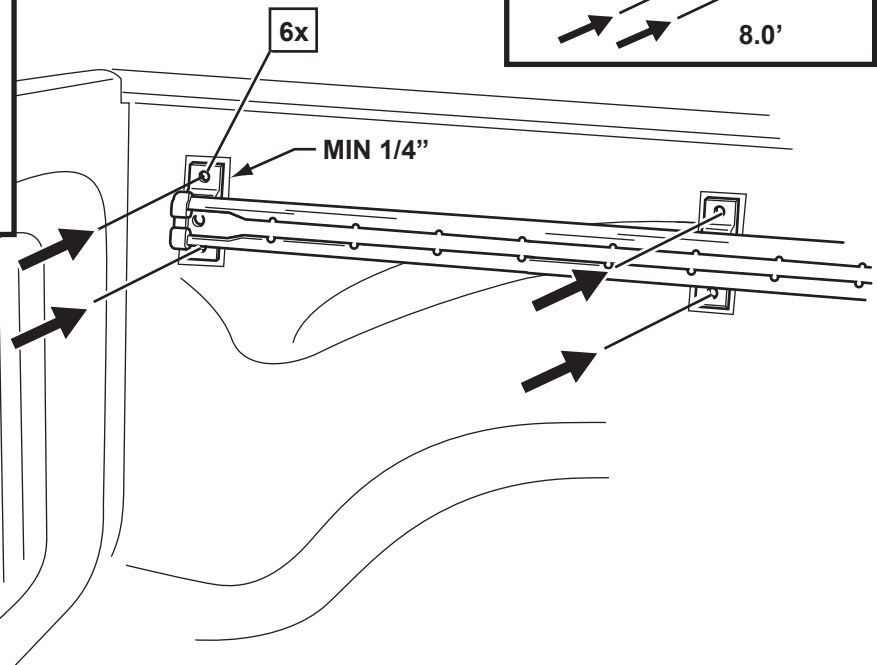
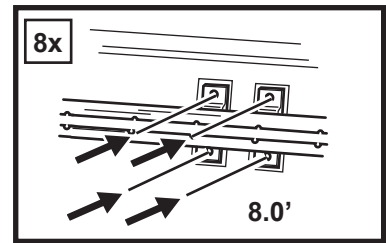
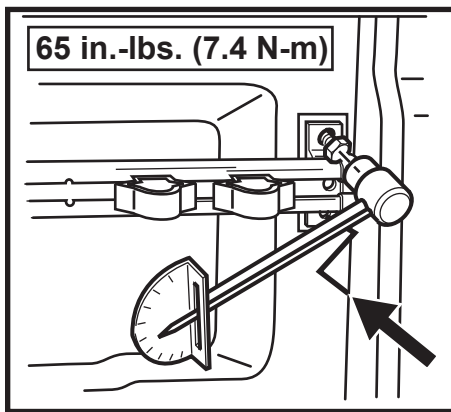
12



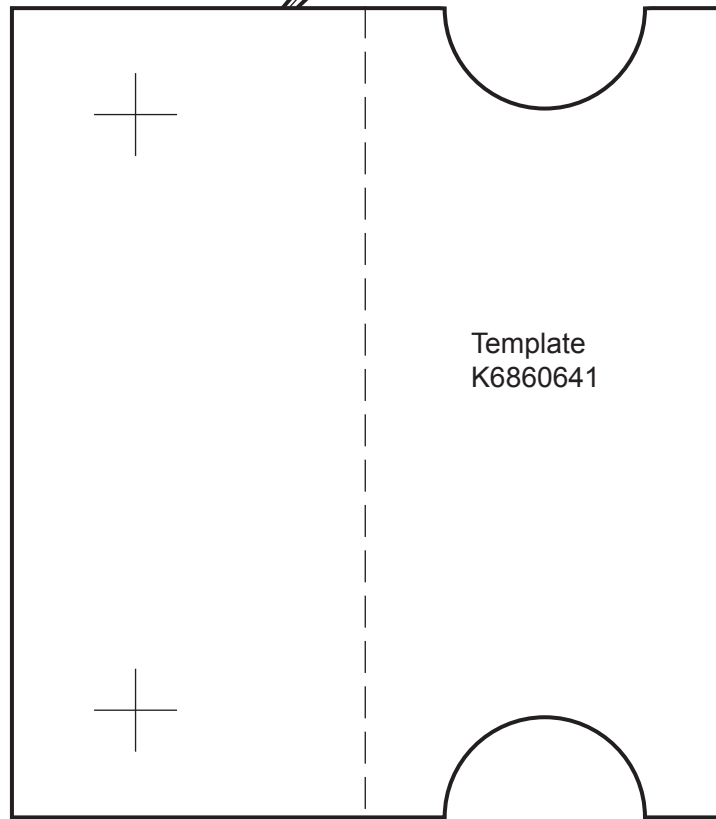
13



14



15



Template
K6860641

