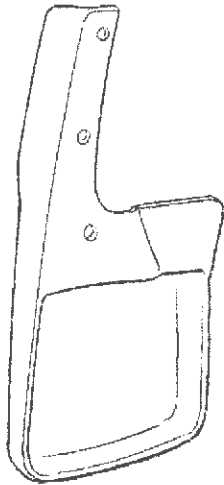




# DODGE RAM

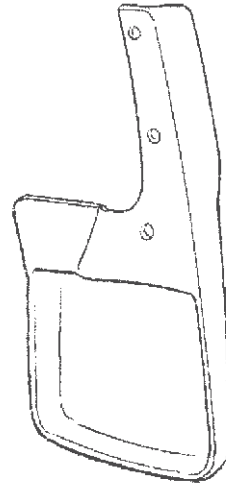
## Rear Splashguards

Rear Right

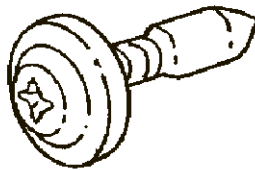


A

Rear Left



B



C

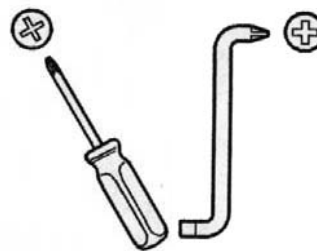
2x



8mm Socket/Driver



3/32" (2.5 mm)



#2 & 3

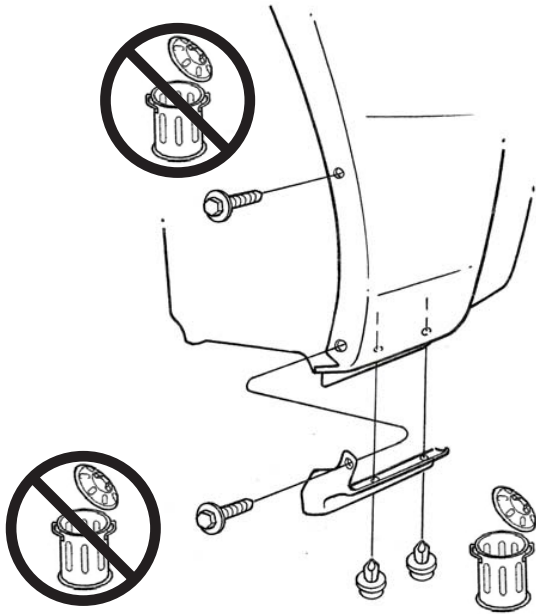


Torx # 20

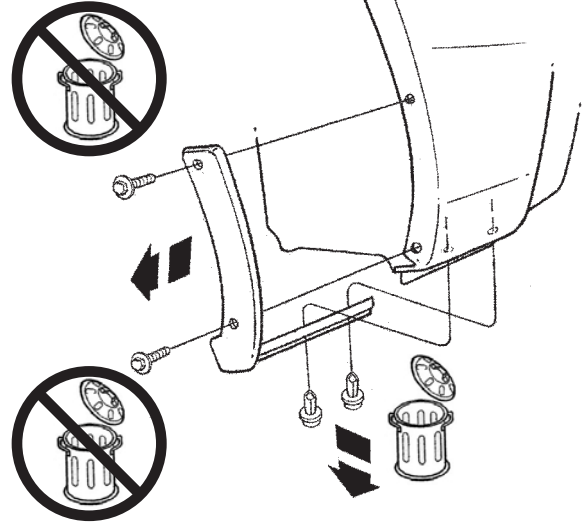
1500/2500

PRIOR MID DEC 2010

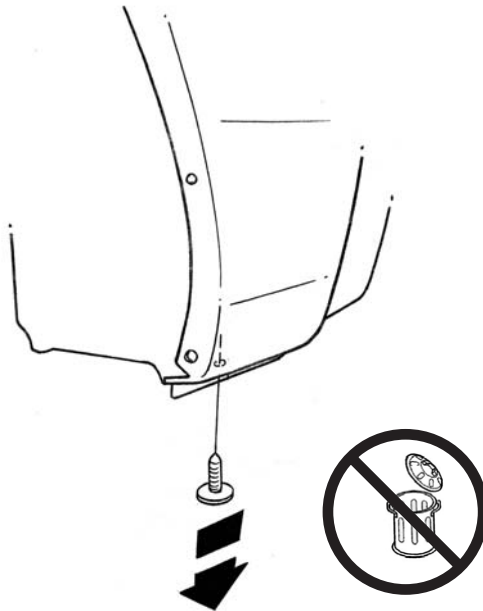
AFTER MID DEC 2010



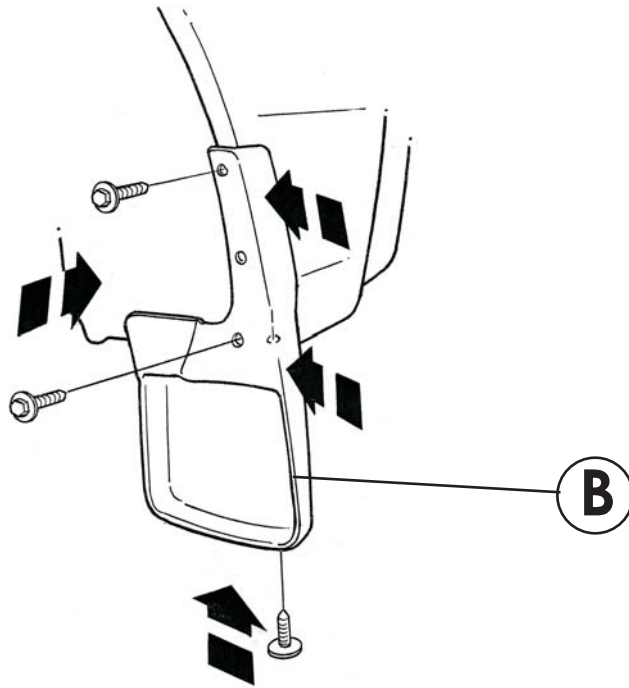
**1A**



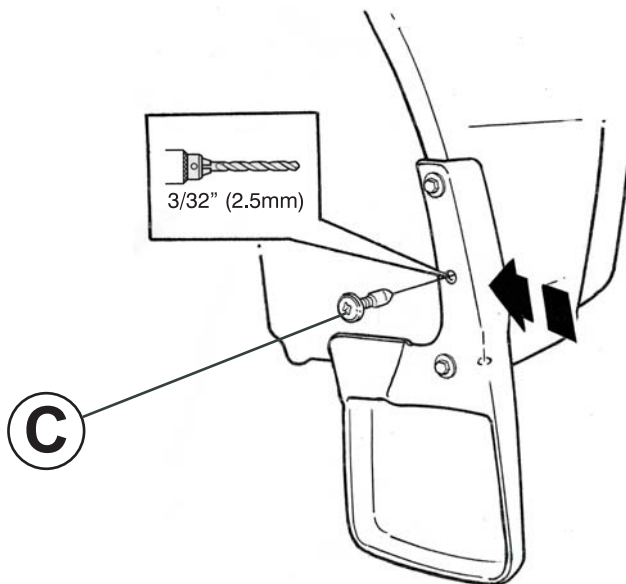
**1B**



**2**



**3**



**4**