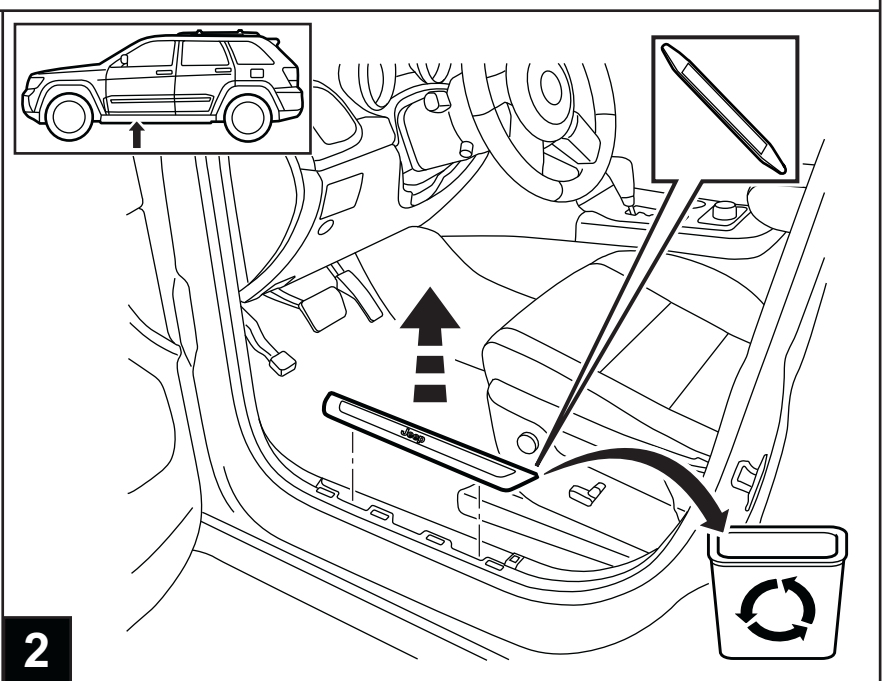
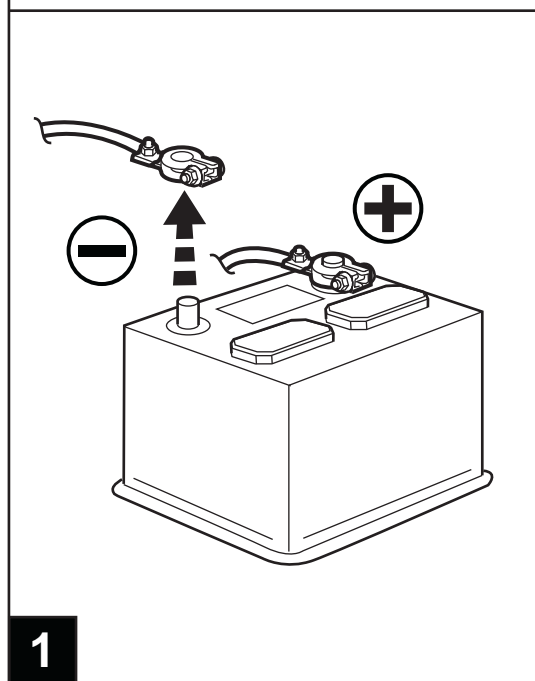
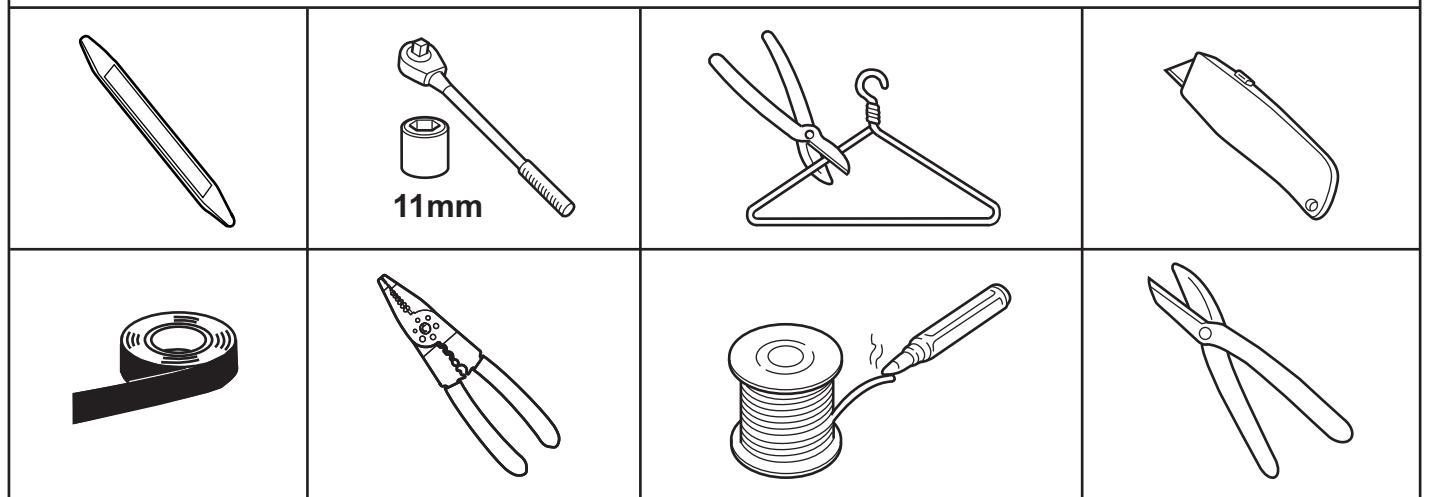
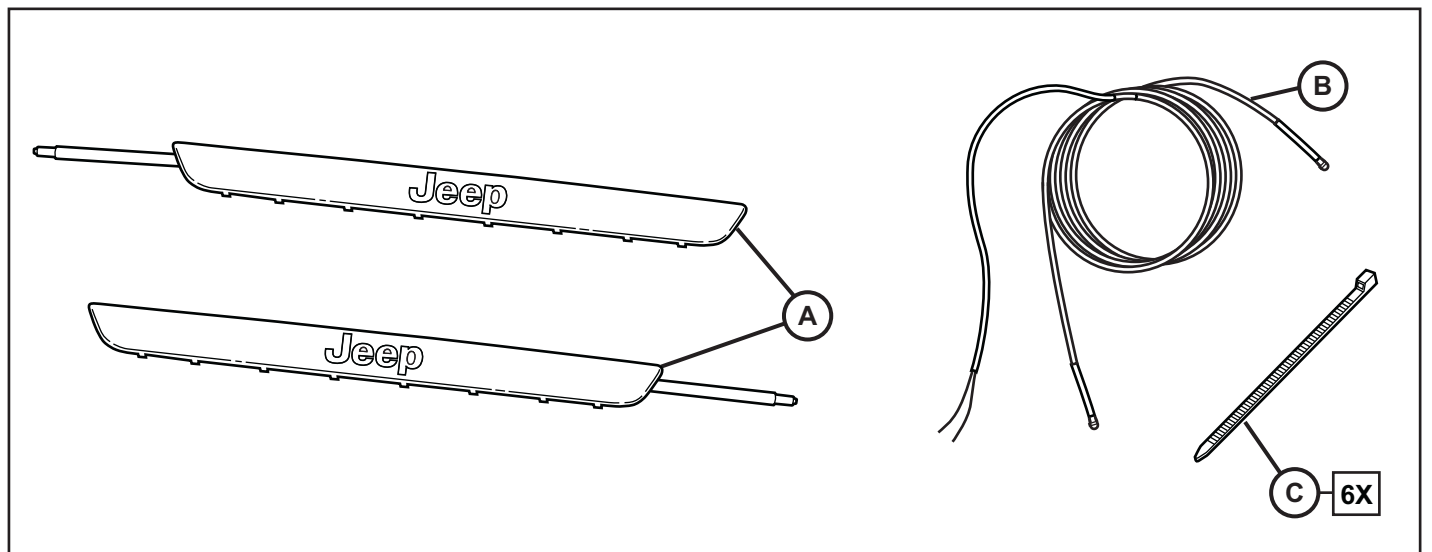
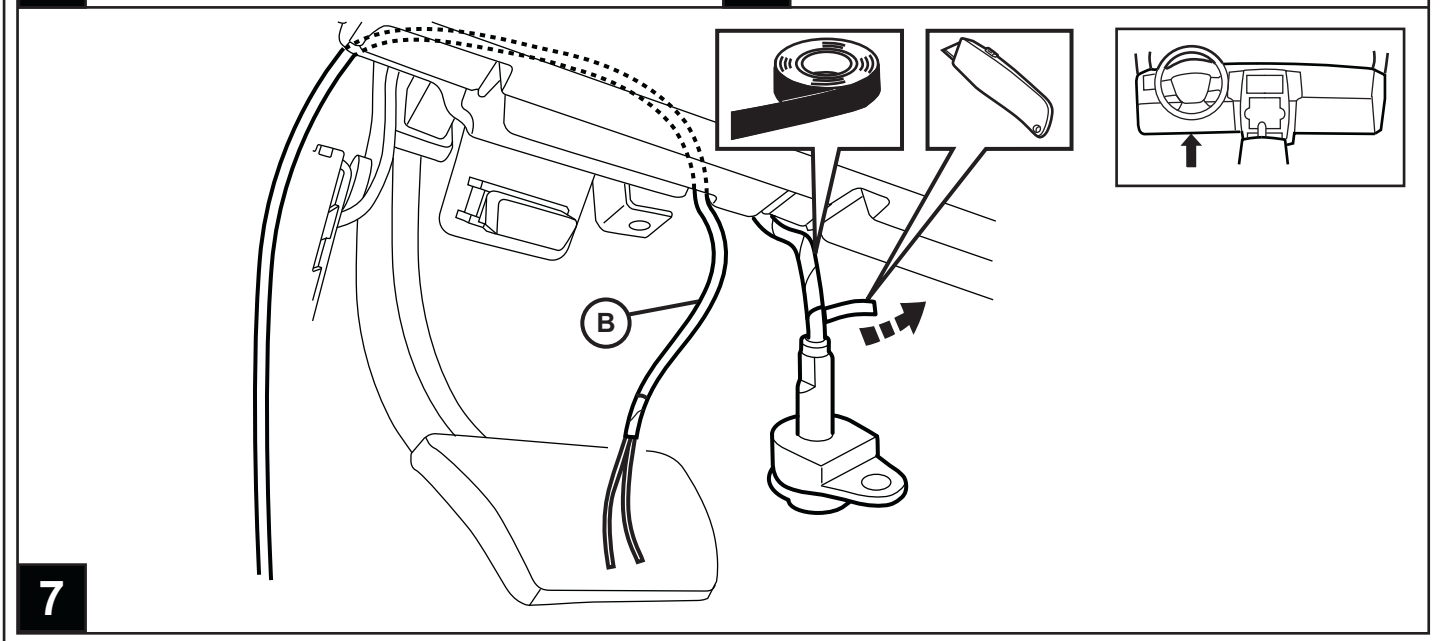
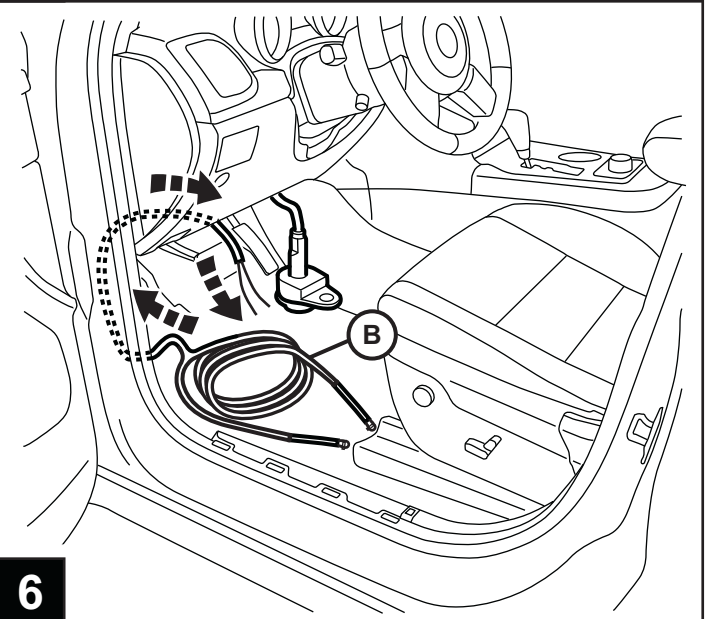
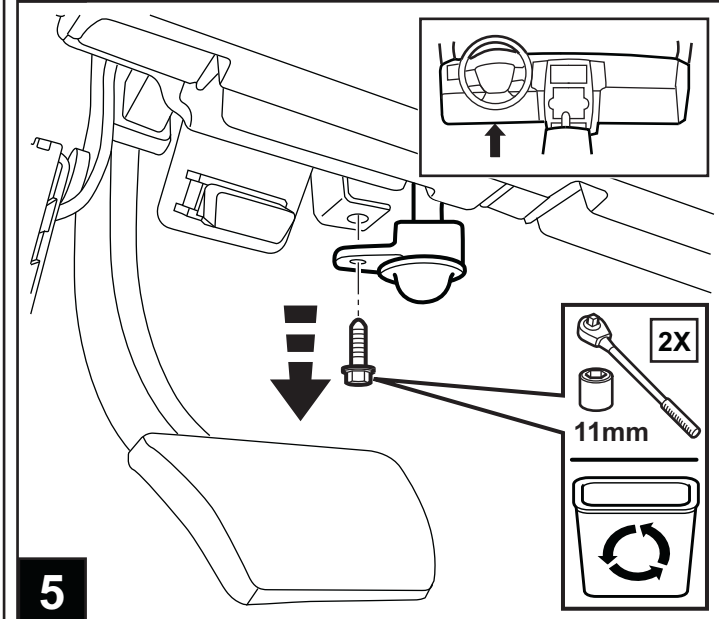
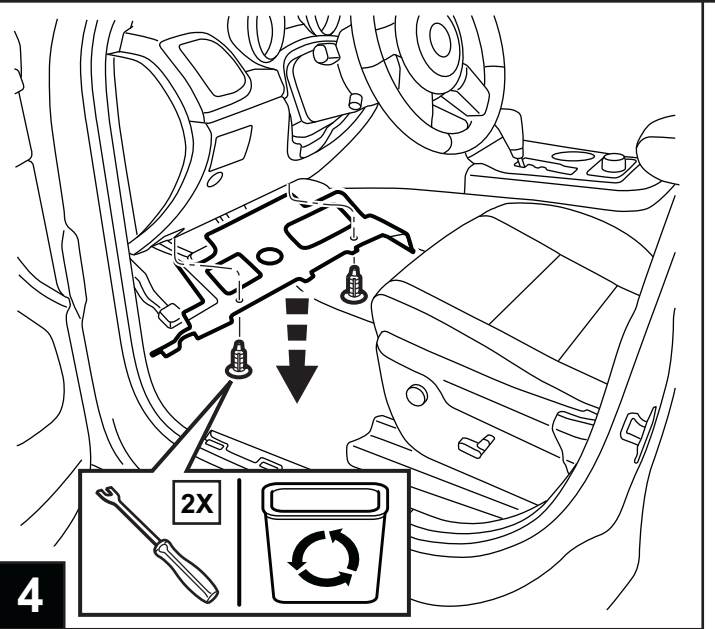
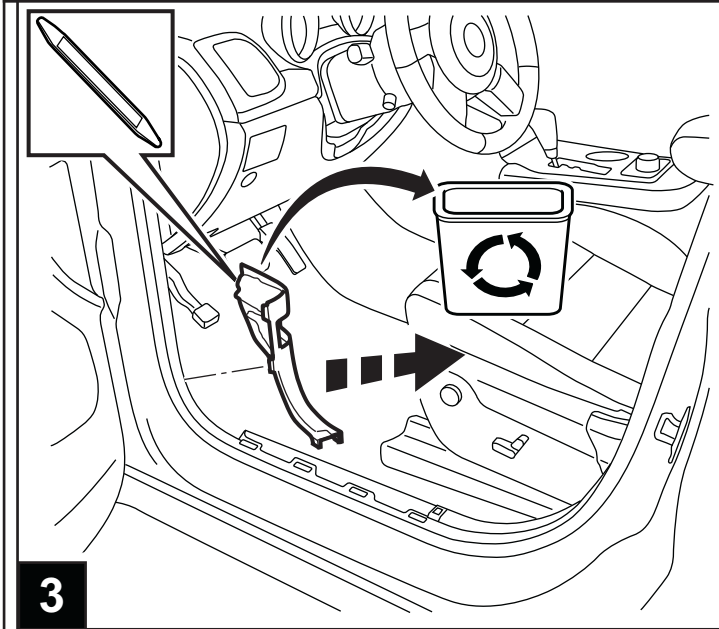


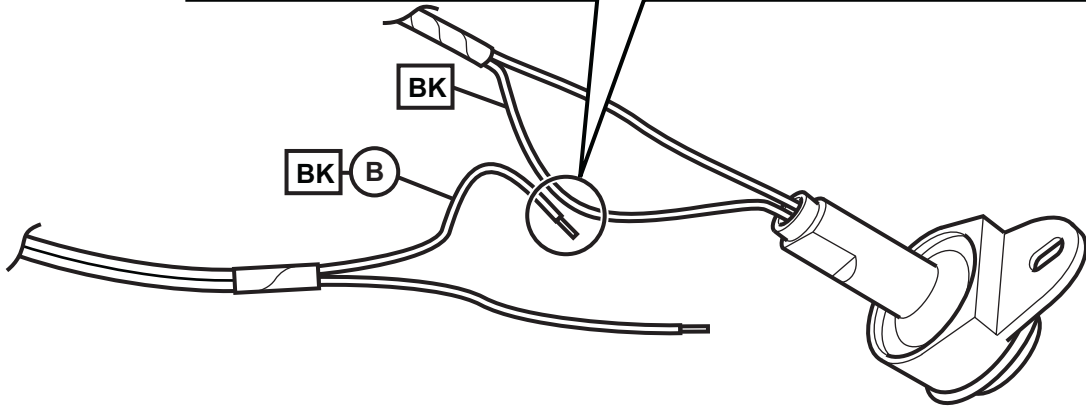
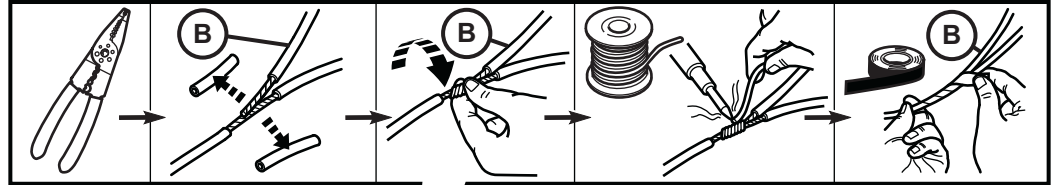
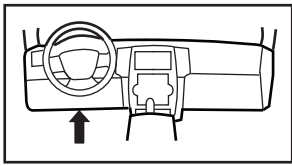


# JEEP GRAND CHEROKEE

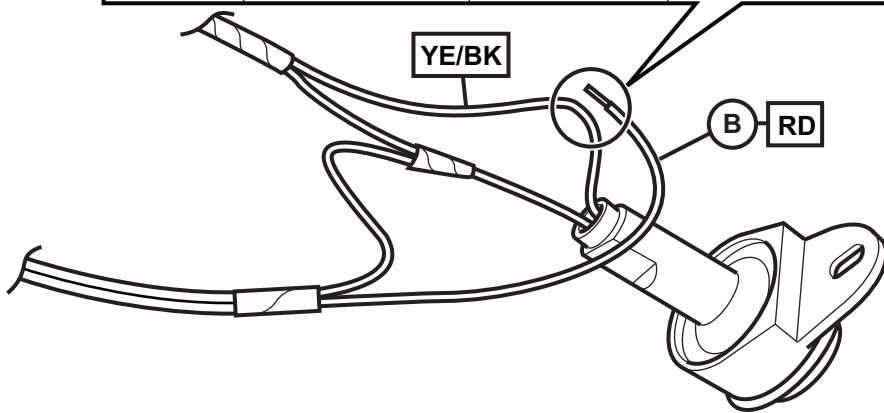
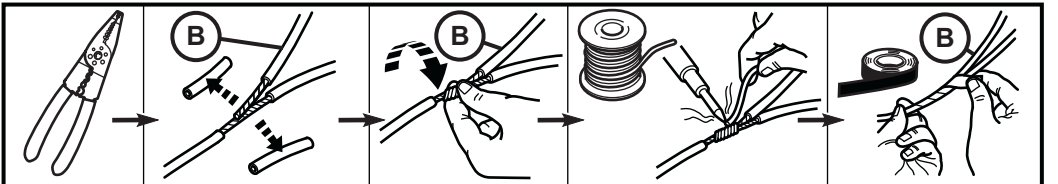
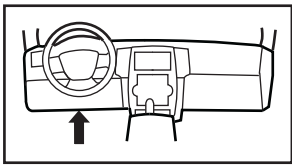
## Illuminated Sill Plates



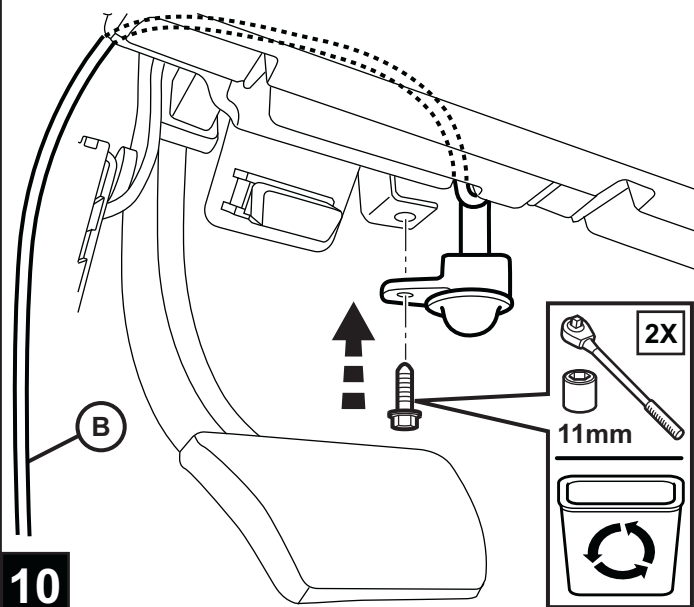




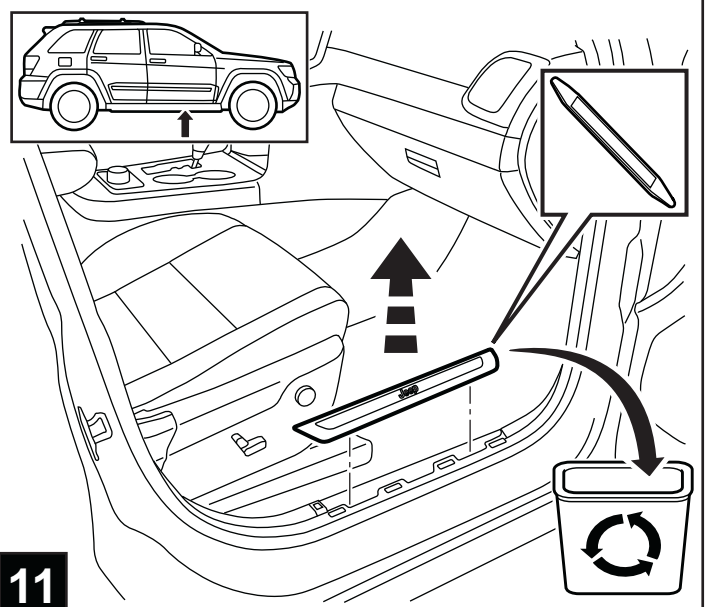
8



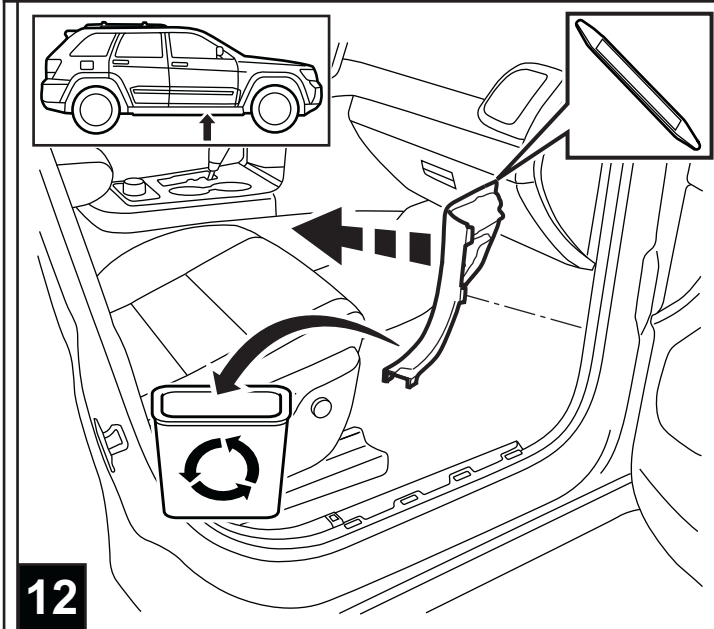
9



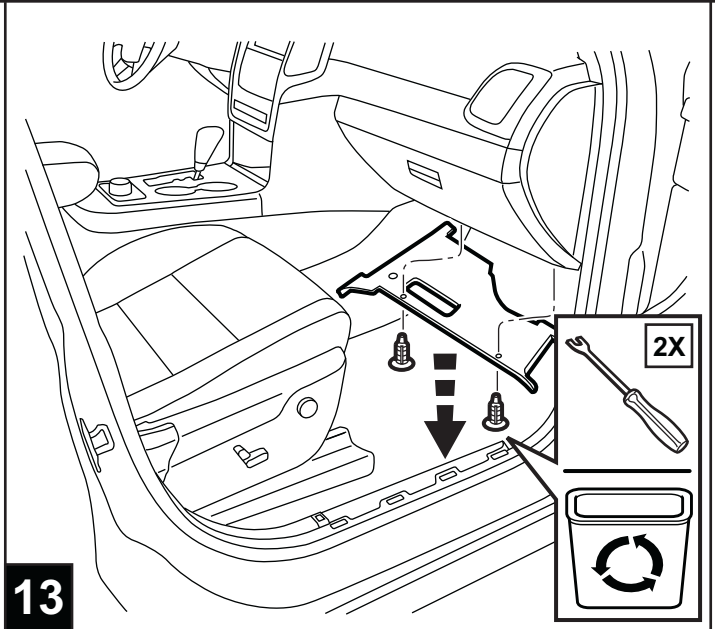
10



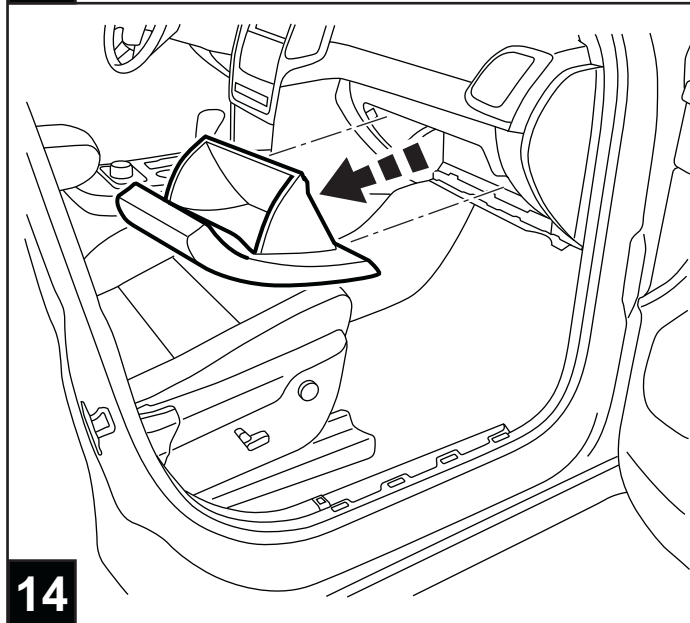
11



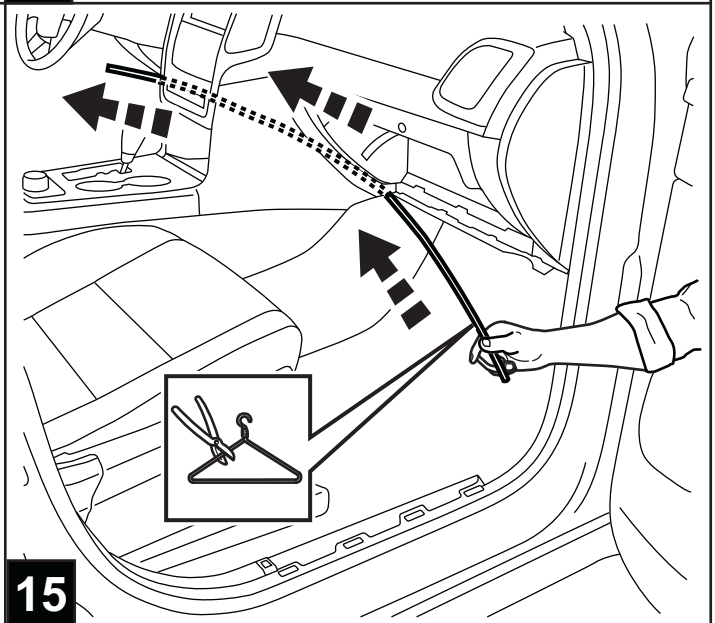
12



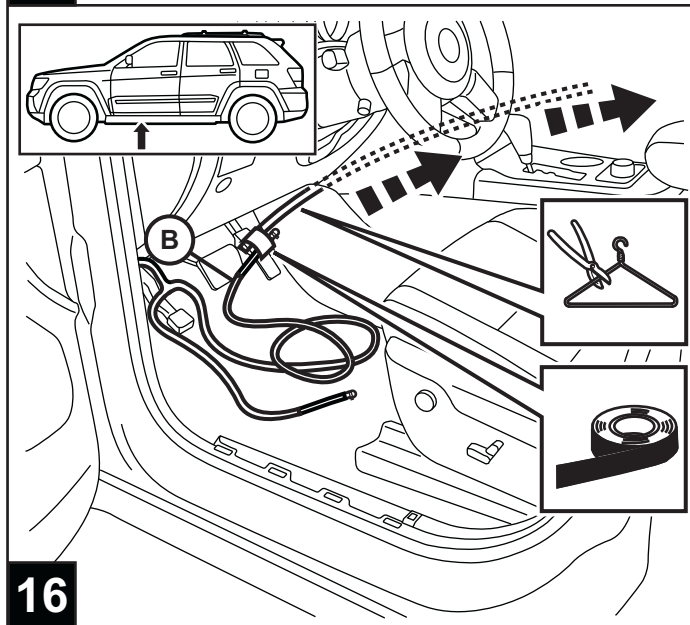
13



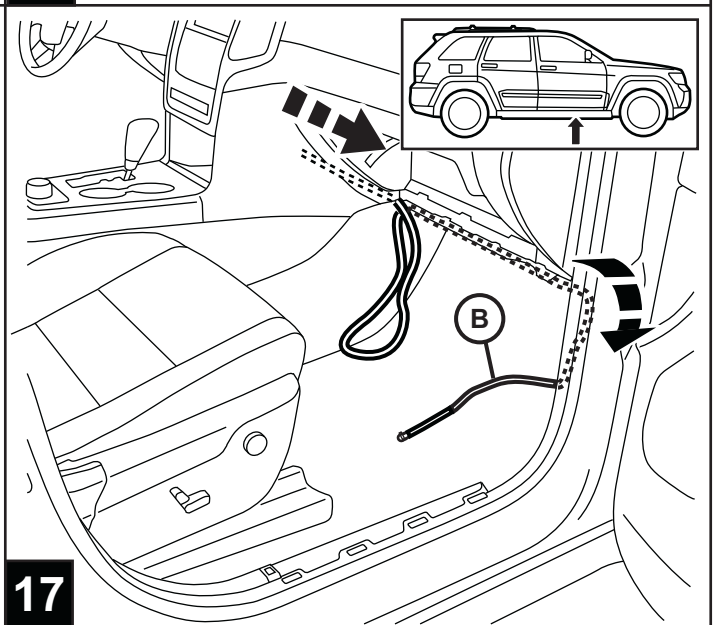
14



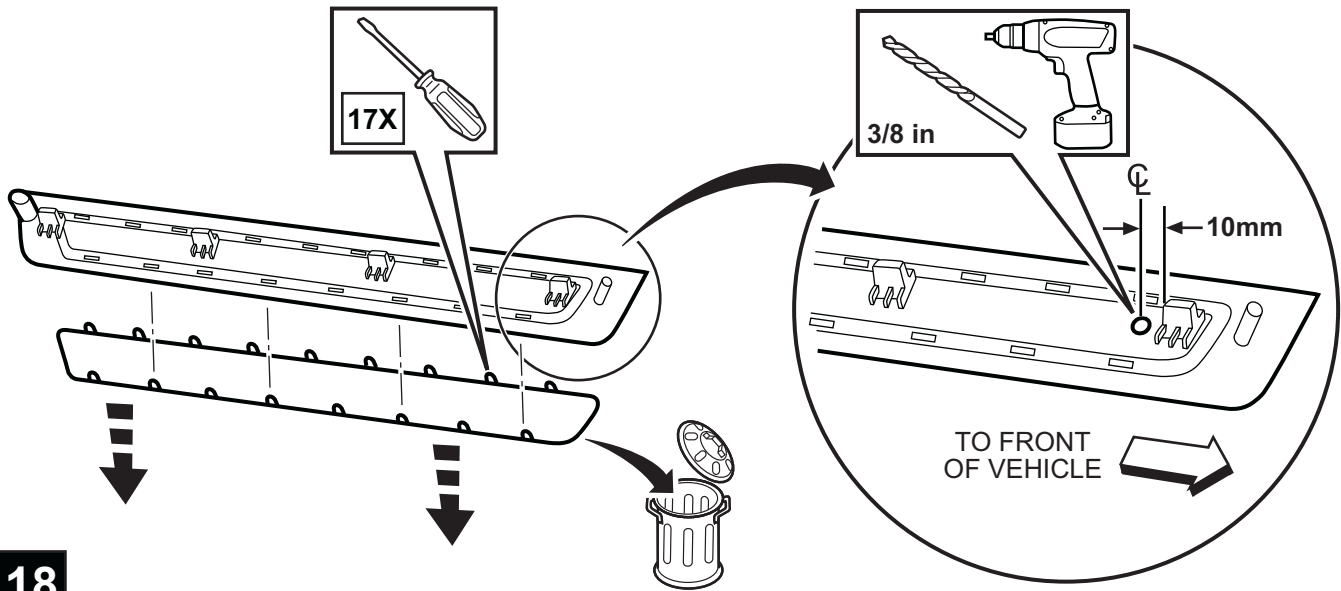
15



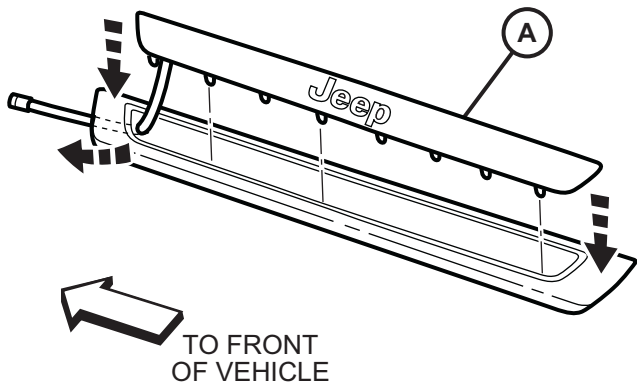
16



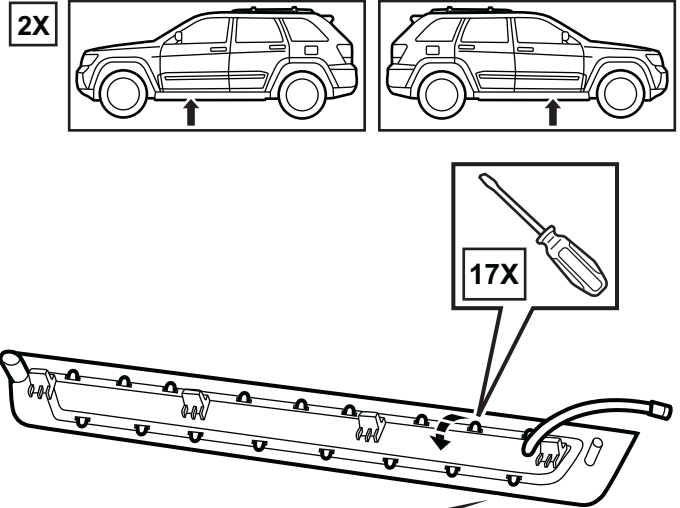
17



18

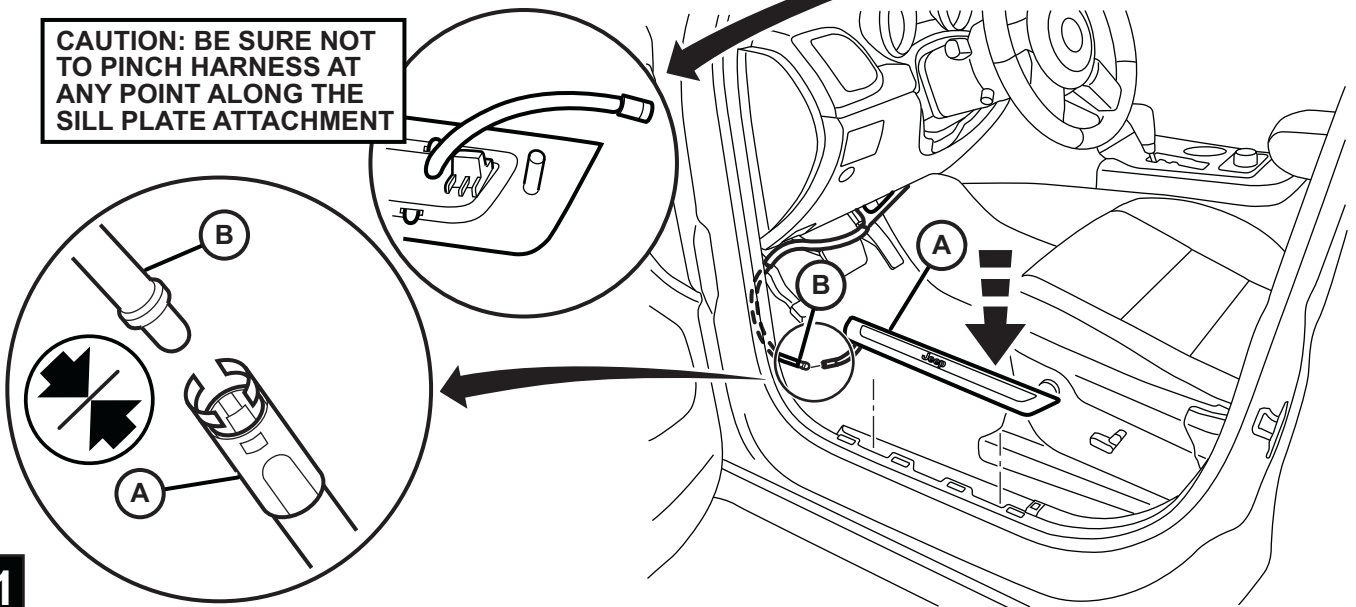


19



20

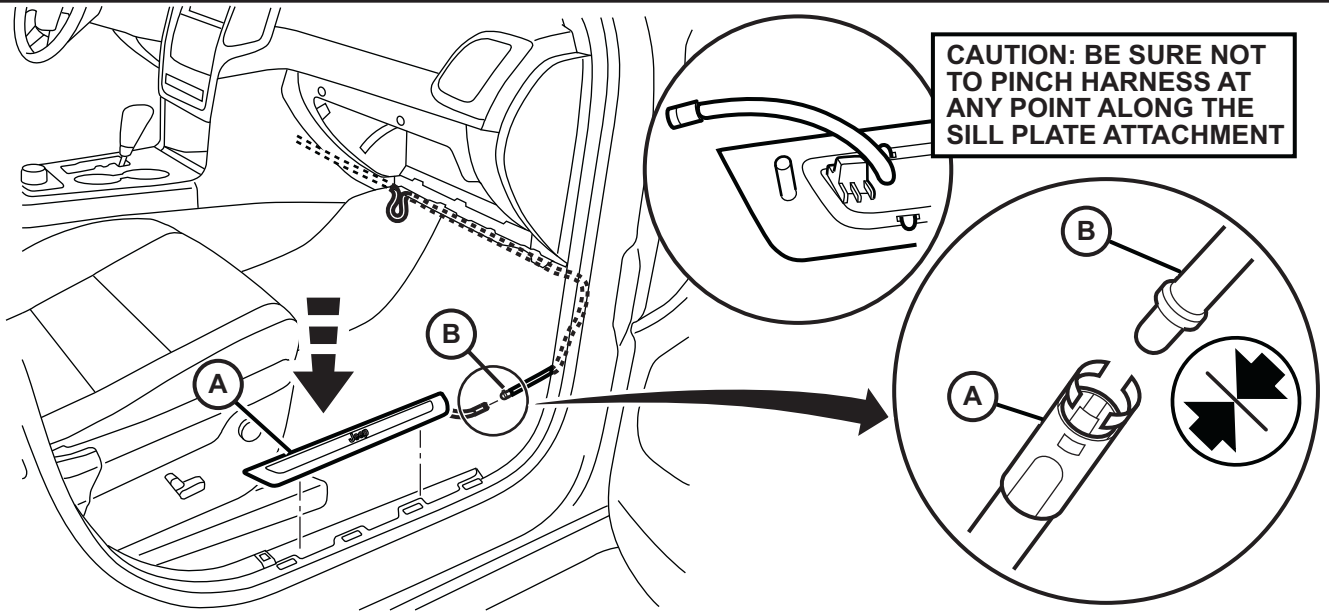
**CAUTION: BE SURE NOT TO PINCH HARNESS AT ANY POINT ALONG THE SILL PLATE ATTACHMENT**



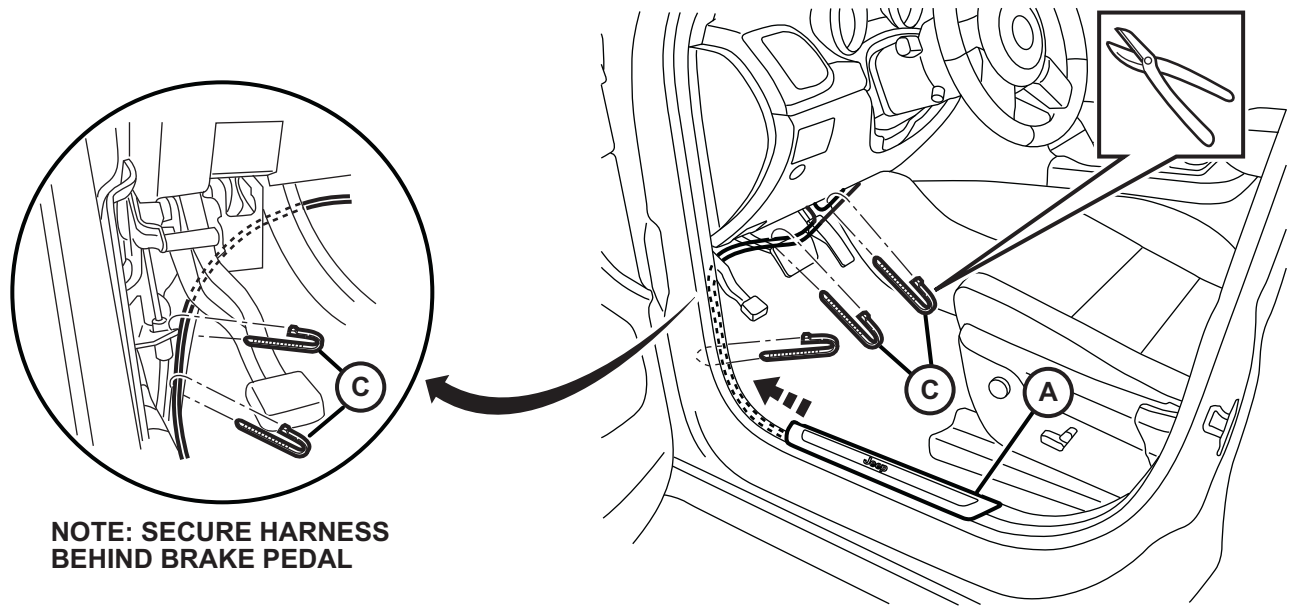
21



**CAUTION: BE SURE NOT TO PINCH HARNESS AT ANY POINT ALONG THE SILL PLATE ATTACHMENT**

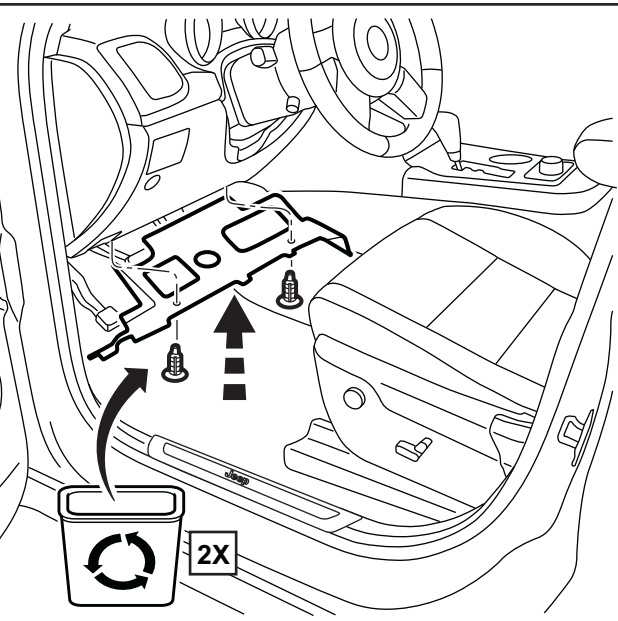


**22**

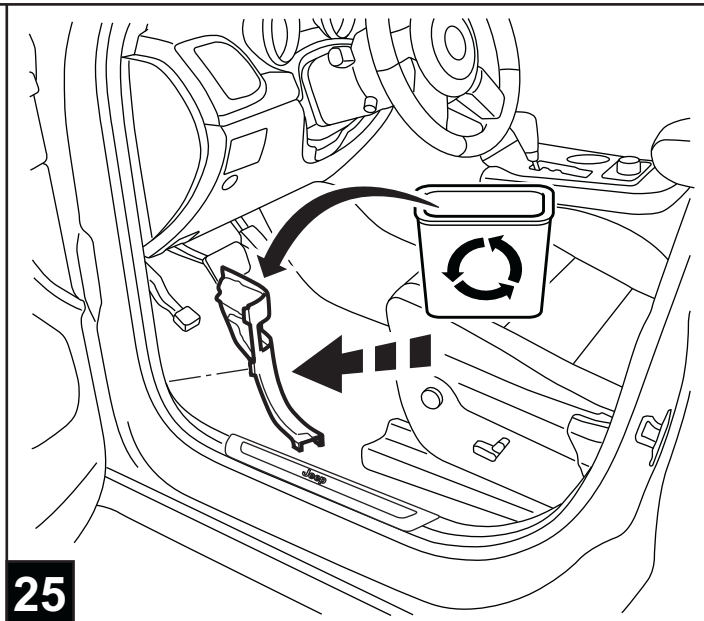


**NOTE: SECURE HARNESS BEHIND BRAKE PEDAL**

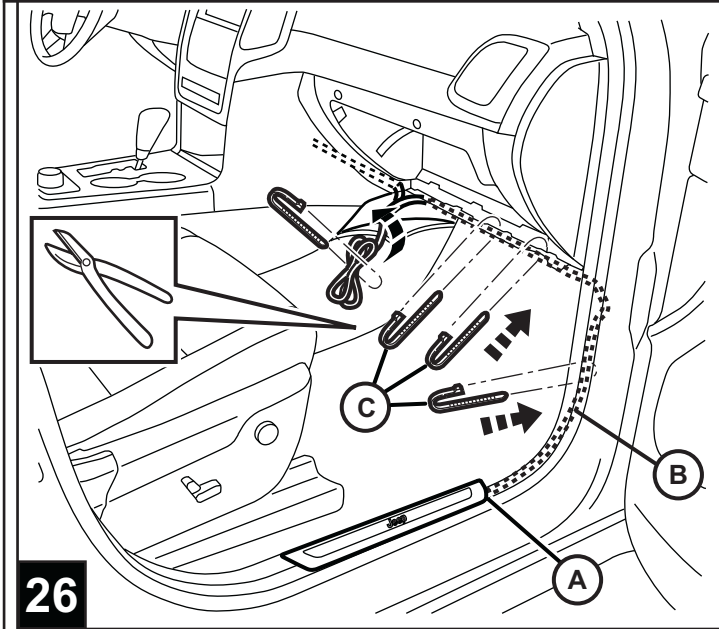
**23**



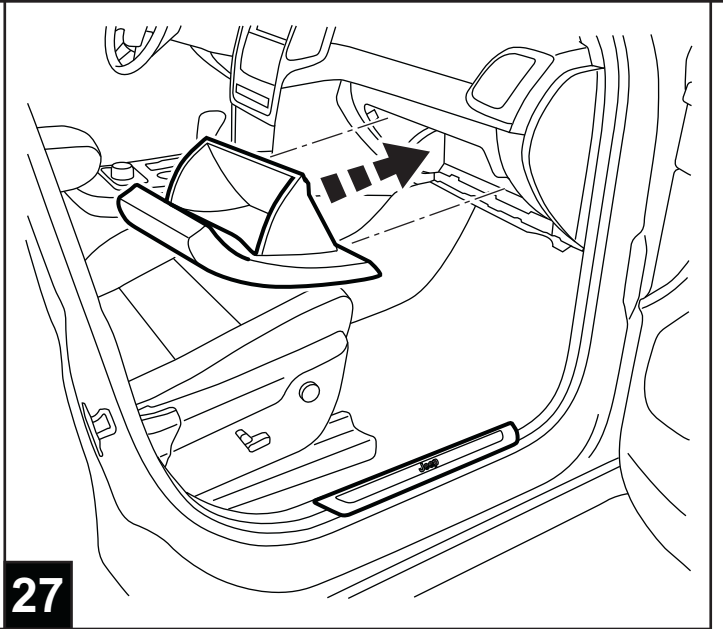
**24**



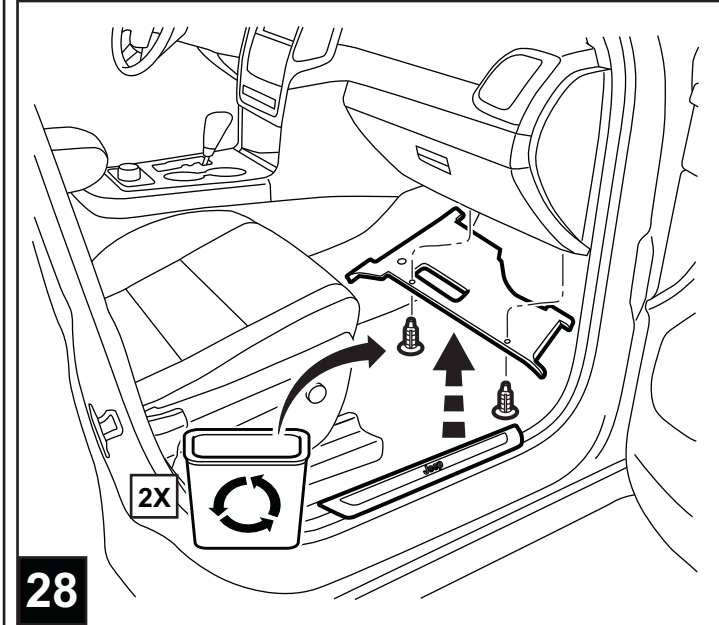
**25**



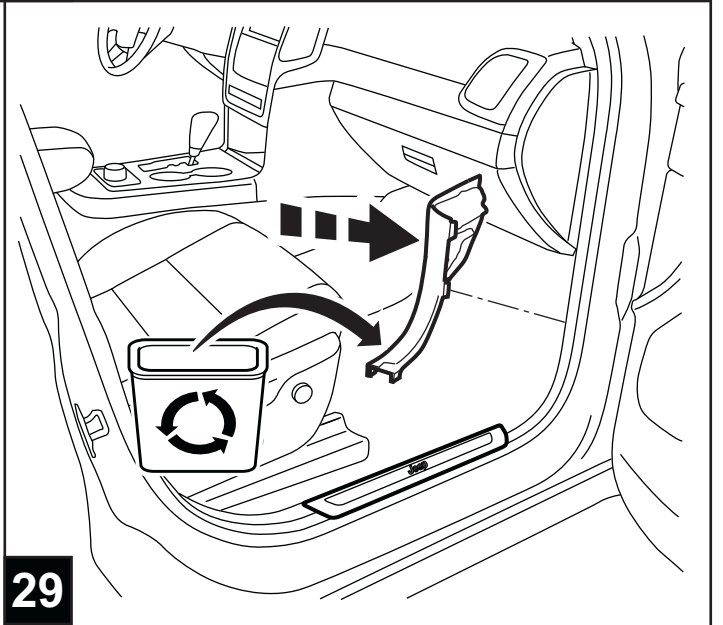
26



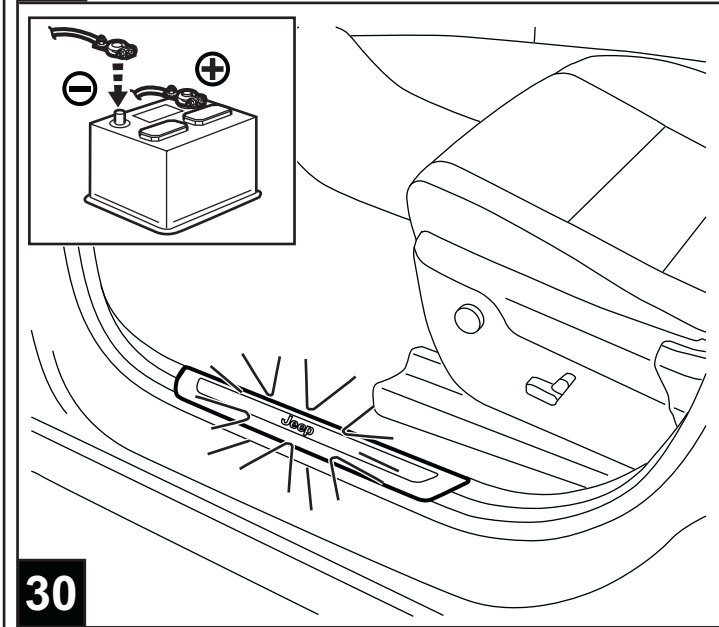
27



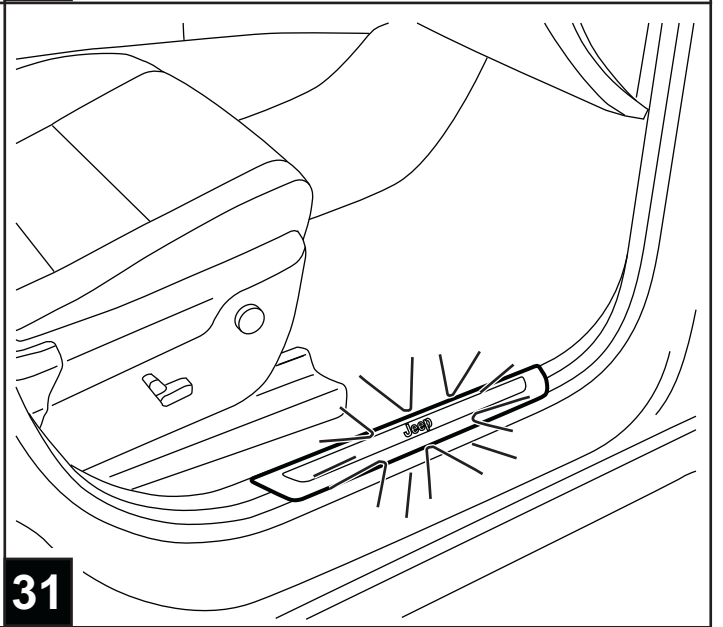
28



29



30



31