



2007 CHRYSLER SEBRING TRAILER HITCH

Parts List

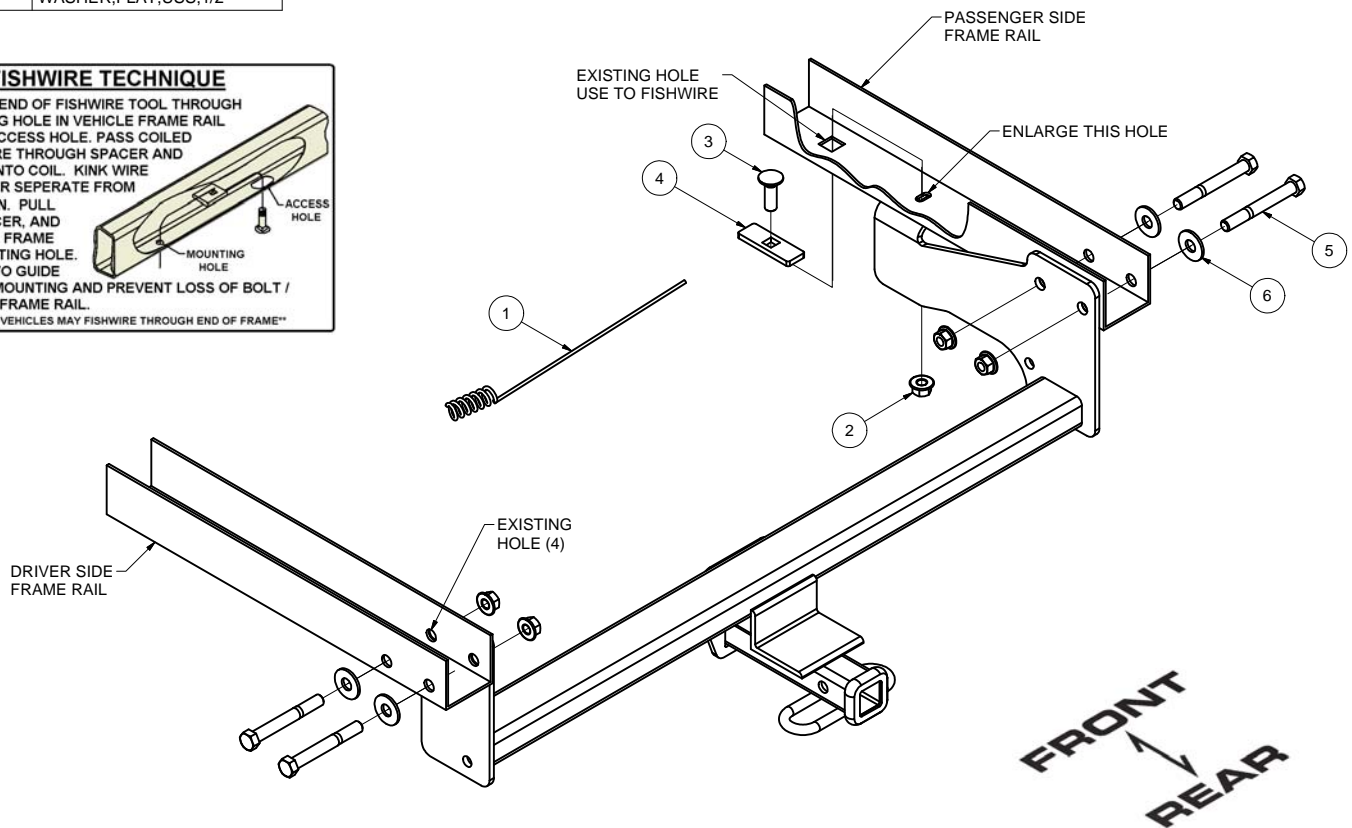
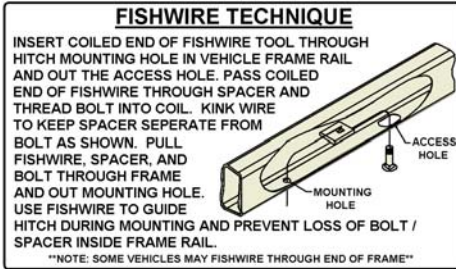
ITEM	QTY	PART NUMBER	DESCRIPTION
1	1	1/2"	FISHWIRE TOOL
2	5	600086	NUT, HEX FLANGE, 1/2-13
3	1	600085	BOLT, CARR, 1/2-13x1.5
4	1	600084	SPACER, SQ HOLE 1/4x1x3
5	4	600123	BOLT, HEX, 1/2-13 X 4
6	4	600098	WASHER, FLAT, USS, 1/2"

TOOLS REQUIRED

SOCKET WRENCH

3/4" SOCKET

TORQUE WRENCH



INSTALLATION INSTRUCTIONS:

- 1) Raise hitch into position between frame rails as shown. Push exhaust to side or lower if needed.
- 2) Install the four 1/2"-13 x 4" hex bolts with 1/2" washers from the outside of frames as shown. Fasten with 1/2" flange nuts finger tight to the sideplates.
- 3) With hitch in position, enlarge hole in frame at the flange of the passenger side plate with a 17/32" drill bit to fit a 1/2" bolt. It is advised to paint any exposed metal after drilling.
- 4) Fishwire 1/2"-13 x 1 1/2" carriage bolt with square hole spacer through existing square hole in frame to the enlarged hole and fasten to side plate with 1/2" flange nut. Finger tight only.
- 5) With all fasteners in place, torque all 1/2" hardware to 110 ft.-lb (149 N•m).