



**1-800-779-2102**

Mon – Thurs: 8:00am - 5:00pm | Friday: 8:00am - 4:00pm CST

**INSPECT YOUR PRODUCT FOR DAMAGE & MISSING  
PARTS BEFORE PROCEEDING TO INSTALLATION**

**PROCEDURE FOR RETURNS OR MISSING HARDWARE**

-PLEASE CONTACT THE ORIGINAL POINT OF PURCHASE FOR:  
SHIPPING DAMAGE, RETURNS, OR WARRANTY CLAIMS

-CONTACT DEE ZEE DIRECTLY FOR MISSING PARTS OR HARDWARE

**WWW.DEEZEE.COM**

REGISTER YOUR PRODUCT ONLINE: [www.deezee.com/registration](http://www.deezee.com/registration)  
VIEW INSTRUCTIONS ONLINE: [www.deezee.com/instructions](http://www.deezee.com/instructions)

---

**⚠ WARNING:** Cancer and Reproductive Harm  
[www.P65Warnings.ca.gov](http://www.P65Warnings.ca.gov)

Operating, servicing, and maintaining a passenger vehicle can expose you to chemicals such as lead, phthalates, engine exhaust, and carbon monoxide that are known to the State of California cause cancer and birth defects or other reproductive harm. To minimize exposure, service your vehicle and its accessories in a well-vented area and wear gloves or wash your hands frequently.



## **DEE ZEE, INC. WARRANTY AGREEMENT**

Dee Zee, Inc. guarantees the original purchaser a limited lifetime warranty against manufacturer defects in materials, workmanship, and design under normal use, excluding damage resulting from road hazards such as gravel or other debris, product misuse, improper installation, impairments from accidents, product modifications, improper repairs, spills, vandalism, product neglect, or acts of God.

This warranty applies only to the original purchaser of new product(s) and is limited to the replacement of genuine Dee Zee products. Modification of any kind to Dee Zee products voids all warranty coverage. Warranty does not include electrical components, installation, cost of removal, labor, transportation costs, loss of use, inconvenience, or consequential damages.

### **WARRANTY COVERAGE - MATERIALS & WORKMANSHIP**

#### **LIMITED LIFETIME WARRANTY:**

- **STAINLESS STEEL:** Side Steps, Grill Guards, Bull Bars, Bed Caps, and Side Rails
- **ALUMINUM:** Side Steps, Running Boards, Storage Boxes, Transfer Tanks, Bed Protection, Side Rails, Invis-A-Racks, and Cab Racks
- **PLASTIC:** Storage Boxes
- **OTHER:** Front and Rear Bumpers

#### **THREE-YEAR WARRANTY:**

- **POWDER-COATED / E-COATED STEEL:** Side Steps, Running Boards, Storage Boxes, Transfer Tanks, Cab Racks, Sport Bar Ladder Racks, Cargo Carriers, Mounting Brackets (NX, Rough Step, and Bumper Guards only)
- **OTHER:** Tailgate Assist, Bed Mats, Floor Mats, Auxiliary Fuel Connection Kits, and All Products Not Otherwise Listed Individually

### **WARRANTY COVERAGE – FINISH PROTECTION**

The finish of all Dee Zee products is covered for one-year (1) from the date of purchase. Dee Zee products have a high quality finish that must be cared for and maintained like any other exposed finish on the vehicle. Protect the finish with non-abrasive automotive wax (e.g. Pure Carnauba) on a regular basis. Applying soaps, polishes, or waxes that contain an abrasive compound may scratch the finish and leave the exposed material susceptible to corrosion.

### **WARRANTY COVERAGE – COMPONENT PARTS**

Operational items such as shocks, latches, hinges, and wear items including, but not limited to, mud flaps, step pads, toolbox tray, end caps, hardware, seals, etc. have a one-year (1) warranty. Replacement component parts can be

ordered via credit card (MasterCard or VISA) by calling 1-800-779-2102. All replacement parts are non-returnable and non-refundable.

### **GPI® FUEL PUMPS & ACCESSORIES**

All Great Plains Industries (GPI) products, including transfer tank pumps and fuel meters are covered by GPI's warranty policies. Dee Zee's warranty terms do not apply to GPI products. To submit a warranty claim, please contact GPI at 1-800-835-0113 or visit [www.gpi.net](http://www.gpi.net).

### **WARRANTY SUBMISSION PROCEDURE**

All warranty claims will be initiated at the place of purchase. The original purchaser will be required to present the original sales receipt with purchase date shown and provide photographs of the defect.

In the event the originally purchased product style is no longer available, Dee Zee will warranty the defective part with a current equivalent. If a comparable product is no longer available, the product would be returned to the store of purchase for a refund or the applicable cost difference can be paid to choose an alternate style.

### **DISCLAIMER**

All products are sold as appearance accessories and should not be relied upon as protection for the vehicle or its occupants in the event of an accident. Vehicles equipped with a supplemental restraints system (air bags) deployed by impact and collision avoidance systems should not be modified in any way. Always consult the vehicle manufacturer if you have any questions regarding supplemental restraint systems and sensors.

Buyer must accommodate front and rear sensors during product installation and assumes all risk should these be tampered, rerouted, severed, or disconnected. This includes disabling visual, audio, or vibration alerts into the cab. Buyer assumes all risk and responsibility for wiring any supplemental auxiliary lights.

Buyer assumes all risk, liability, and cost for the installation and use of Dee Zee products. Dee Zee, Inc. assumes no liability for injury, loss, incidental or consequential damages in the event of an accident.



Thank you for choosing Dee Zee to add function and accessorize your vehicle. Dee Zee has been a staple brand in the truck accessory market since 1977 and we hold a reputation of quality manufacturing based in America's Heartland. Our products are born through careful engineering and backed by industry leading warranty programs. We appreciate the opportunity to serve you and your vehicle!

**Review the instruction pages in their entirety to prepare the required tools**

**Warning:** Please check for wiring or other obstructions before drilling any holes in the vehicle. If it is necessary to drill any holes, Dee Zee recommends putting a sealant or rust inhibitory around all holes drilled into the body of the vehicle.

It is the sole responsibility of the vehicle owner to check for tire clearance. It is unlawful and dangerous to ride on any external vehicle step while the vehicle is in motion.

**Cleaning:** To be entitled to all warranty rights offered with the product, Dee Zee steps need to be cleaned regularly with a mild detergent. Do NOT use abrasive cleaners. For stainless steel products, the application of a high grade automotive wax is recommended.


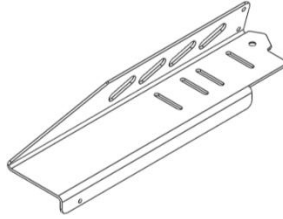
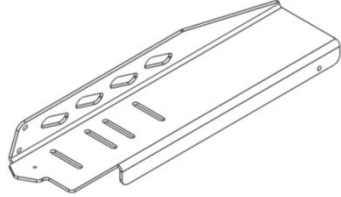
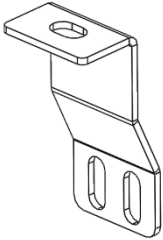
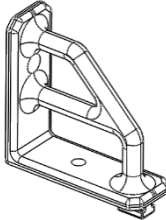
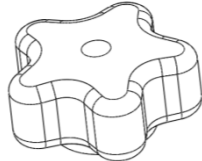
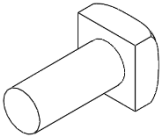
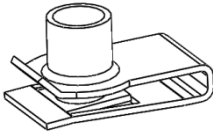
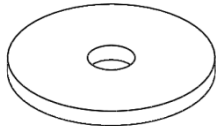
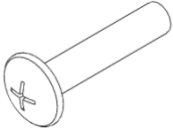
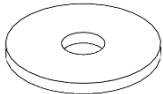
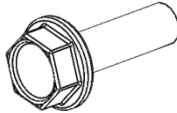
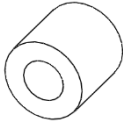
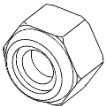
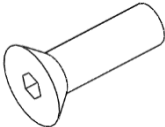




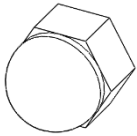

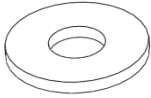
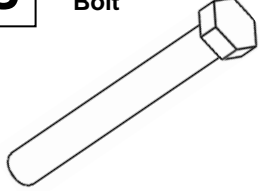
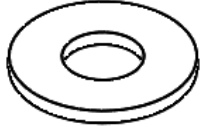
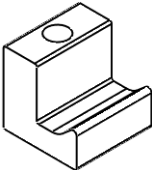
Dee Zee Cares - Please Recycle

For an electronic version of these instructions visit: [www.deezee.com/instructions](http://www.deezee.com/instructions)

Register your product online: [www.deezee.com/registration](http://www.deezee.com/registration)

## DZ 95071R(B,TB) Cab Rack Installation Instructions

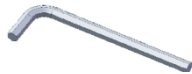
<p><b>A</b> Cab Rack</p>  <p style="text-align: center;">Varies <span style="float: right;">X1</span></p>	<p><b>B</b> Left Bolt-On Mount</p>  <p style="text-align: center;">Varies <span style="float: right;">X1</span></p>	<p><b>C</b> Right Bolt-On Mount</p>  <p style="text-align: center;">Varies <span style="float: right;">X1</span></p>	
<p><b>D</b> Mounting Brace</p>  <p style="text-align: center;">B 2450P <span style="float: right;">X2</span></p>	<p><b>E</b> Tie Down</p>  <p style="text-align: center;">TD95P <span style="float: right;">X2</span></p>	<p><b>F</b> Knob</p>  <p style="text-align: center;">WQ500-KNOB <span style="float: right;">X2</span></p>	
<p><b>G</b> Square Head Bolt</p>  <p style="text-align: center;">PN 524 <span style="float: right;">X6</span></p>	<p><b>H</b> 8mm Clip</p>  <p style="text-align: center;">PN 909 <span style="float: right;">X4</span></p>	<p><b>I</b> 5/16" Oversized Washer</p>  <div style="border: 1px solid black; padding: 2px; width: fit-content; margin: 5px auto;">1 1/2" OUTSIDE DIAMETER</div> <p style="text-align: center;">PN 620 <span style="float: right;">X2</span></p>	
<p><b>J</b> 1/4" Phillips Head Screw</p>  <p style="text-align: center;">PN 485 <span style="float: right;">X2</span></p>	<p><b>K</b> 1/4" Fender Washer</p>  <p style="text-align: center;">PN 265 <span style="float: right;">X2</span></p>	<p><b>L</b> 8mm Bolt</p>  <p style="text-align: center;">PN 525 <span style="float: right;">X4</span></p>	<p><b>M</b> 1/4" x 1/2" Nylon Spacer</p>  <p style="text-align: center;">PN 703 <span style="float: right;">X2</span></p>
<p><b>N</b> 1/4" Locknut</p>  <p style="text-align: center;">PN 341 <span style="float: right;">X2</span></p>	<p><b>O</b> 3/8-1.25" Flat Socket Bolt</p>  <p style="text-align: center;">PN 353 <span style="float: right;">X2</span></p>	<p><b>P</b> 7/16" x 1/2" Nylon Spacer</p>  <p style="text-align: center;">PN 1060 <span style="float: right;">X2</span></p>	<p><b>Q</b> 5/16" SAE Washer</p>  <div style="border: 1px solid black; padding: 2px; width: fit-content; margin: 5px auto;">3/4" OUTSIDE DIAMETER</div> <p style="text-align: center;">PN 339 <span style="float: right;">X4</span></p>

<p><b>R</b> M8 Acorn Cap Nut</p>  <p>PN 1038 X4</p>	<p><b>S</b> Adhesive Pad</p>  <p>FGT 12 X2</p>	<p><b>T</b> 5/16" USS Washer</p>  <p>1" OUTSIDE DIAMETER</p> <p>PN 325B X2</p>	<p><b>U</b> 5/16" X 2.5" Hex Bolt</p>  <p>PN 1156 X4</p>
<p><b>V</b> 5/16" Washer</p>  <p>7/8" OUTSIDE DIAMETER</p> <p>PN 163 X4</p>	<p><b>W</b> 5/16 J Extrusion</p>  <p>PN 706 X4</p>	<p><b>IF YOU HAVE A COLORADO START ON STEP 1. IF YOU HAVE A RANGER, TACOMA, OR GLADIATOR SKIP TO STEP 10.</b></p>	

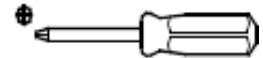
**Tools Required**

**Allen Wrench**

- 4mm
- 5mm
- 7/32"



**Phillips Head Screwdriver**



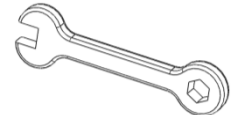
**Drill**

- 1/4" Drill Bit
- 3/8" Drill Bit



**Ratchet and Socket or Wrench**

- 13mm
- 1/2"

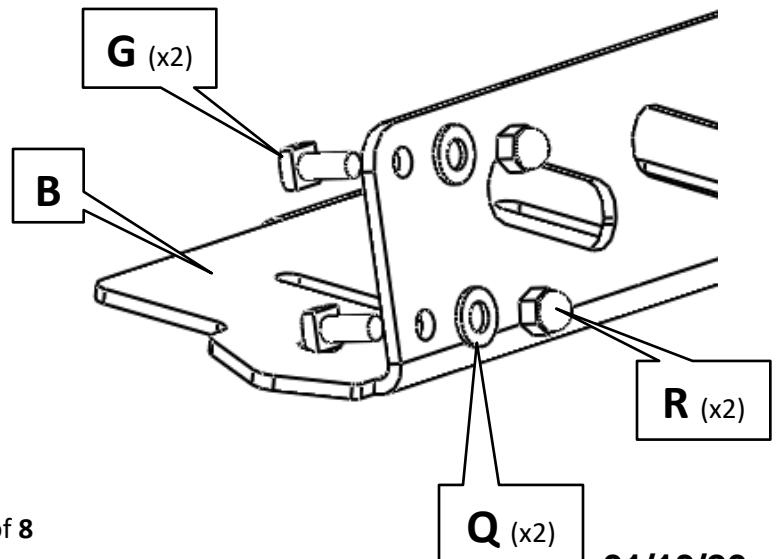


**1 Driver Side – Brace Mount**

Install Hardware **(G)** Square Head Bolt, **(Q)** 5/16" Washer, and **(R)** M8 Acorn Nut onto the **(B)** Left Bolt-On Mount as shown. Leave hardware loose.

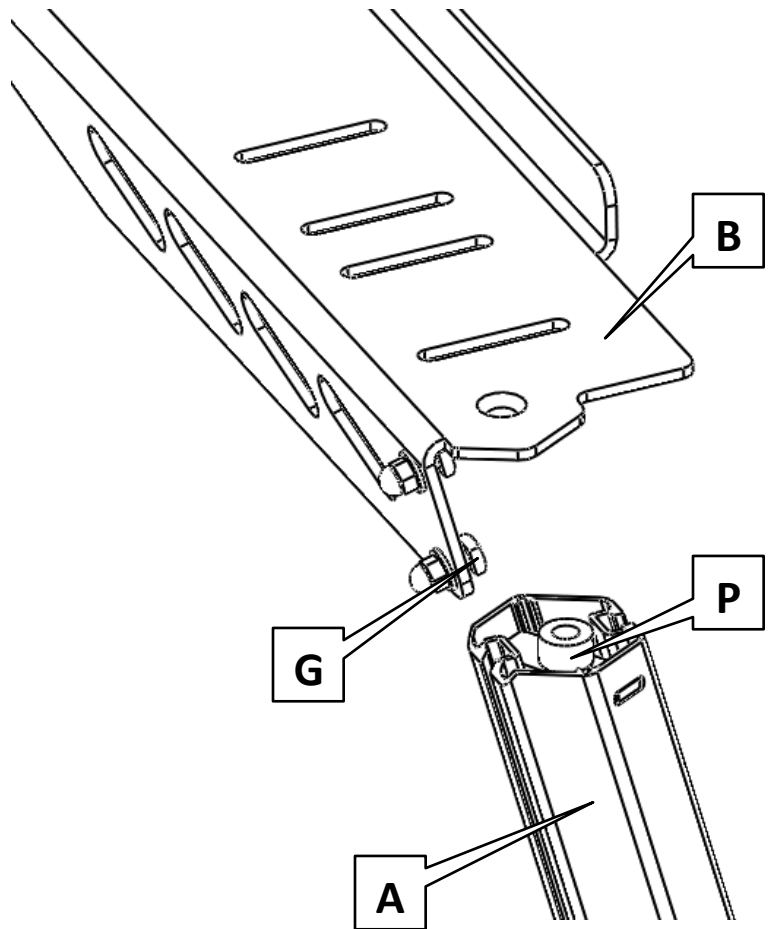
\* **Passenger side** follows same steps as in Driver side installation.\*

Brackets Needed: **C**

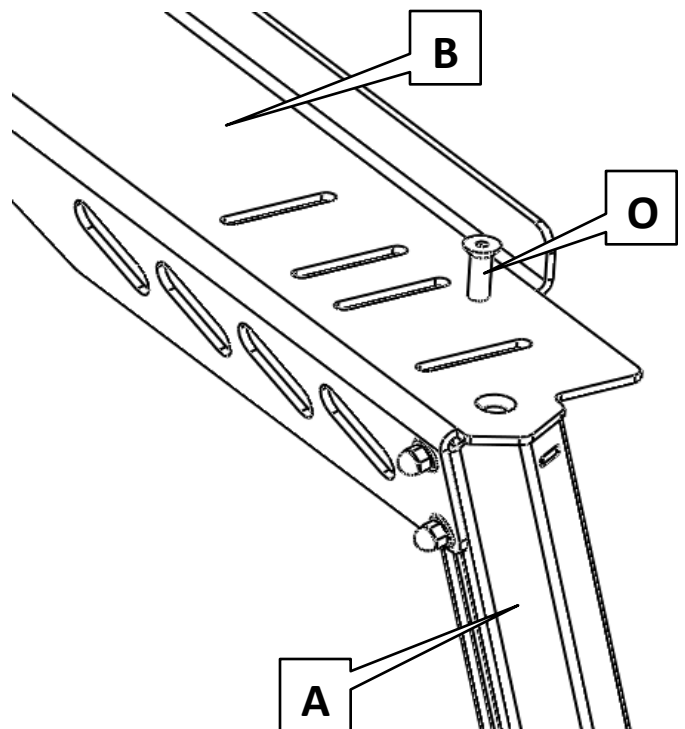


## 2 Driver Side – Brace Mount

Align **(G)** Square Head Bolt with the channel in **(A)** Cab Rack frame upright tube. Slide **(B)** Left Bolt-On Brace with hardware down channel until flush with bottom of **(A)** Cab Rack frame upright tube.



Align **(O)** 3/8-1.25" Flat Socket Bolt with the countersunk hole in **(B)** Left Bolt-On Brace ensuring **(P)** 7/16" x 1/2" Nylon Spacer stays in place on top of the Threaded Plate. Tighten Hardware.



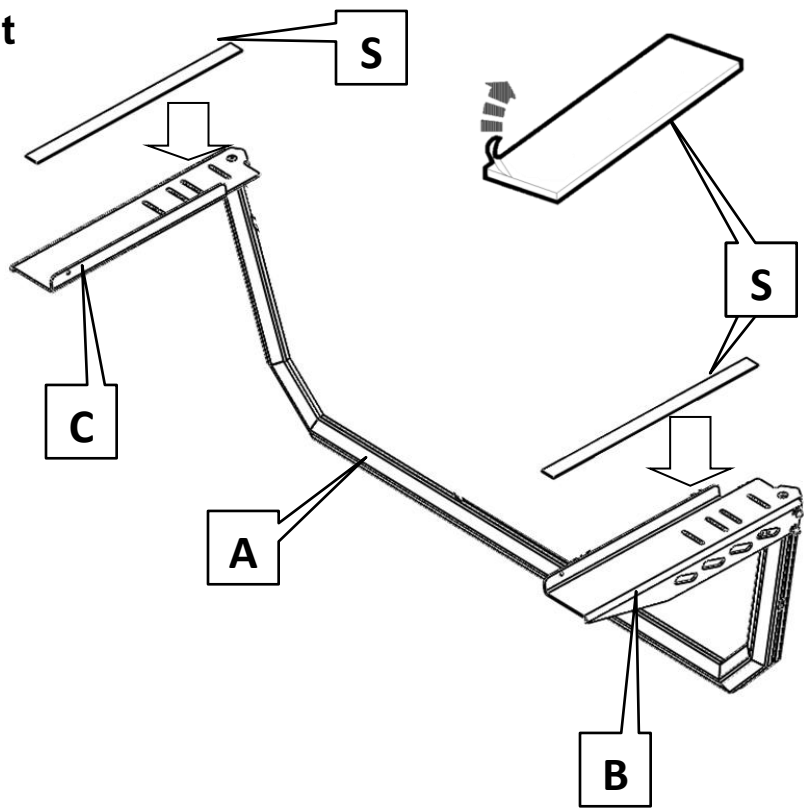
**\* Tighten All Hardware \***

**\* Passenger side** follows same steps as in Driver side installation.\*

Brackets Needed: **C**

### 3 Driver Side – Brace Mount

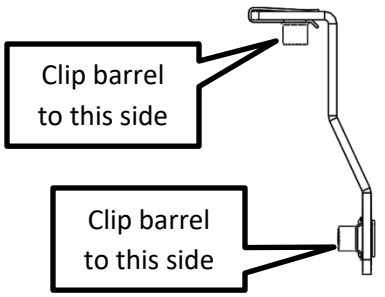
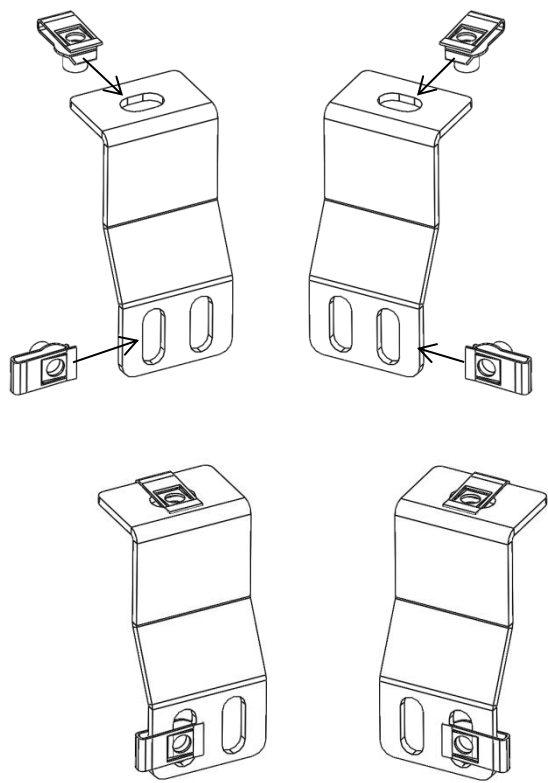
Peel backing off of (S)  
Adhesive Foam Pad and  
place on the bottom of each  
(B) and (C).



Once step 3 is complete, if  
you have a Colorado,  
continue to step 4. If you  
have a Tacoma, Ranger, or  
Gladiator skip to step 11.

### 4 Cab Rack Installation

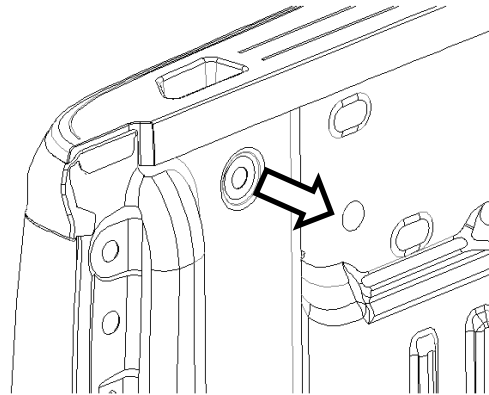
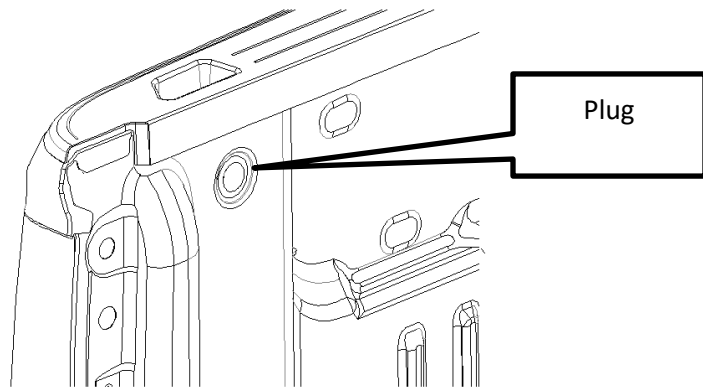
Install two 8mm Clips (H)  
onto each Mounting Brace (D). One  
brace using the bottom left  
slot, and the other using the  
bottom right slot. Be sure the  
clips are installed as shown.





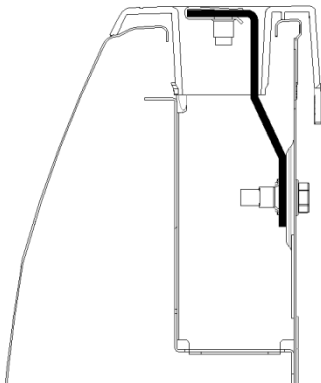
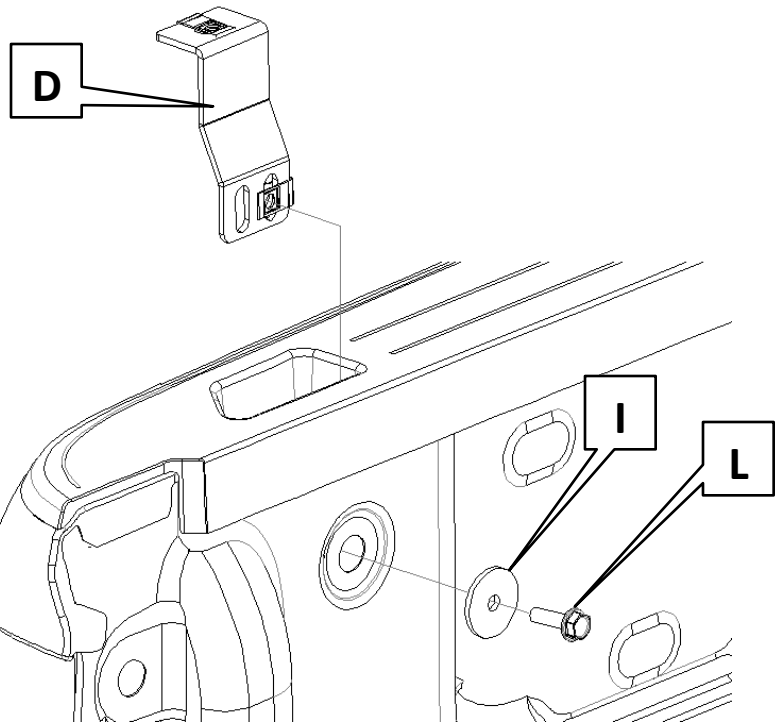
## 5 Cab Rack Installation

Locate and remove the plugs on the inside of the bed just below the rear stake pockets. The plugs will not be re-installed.



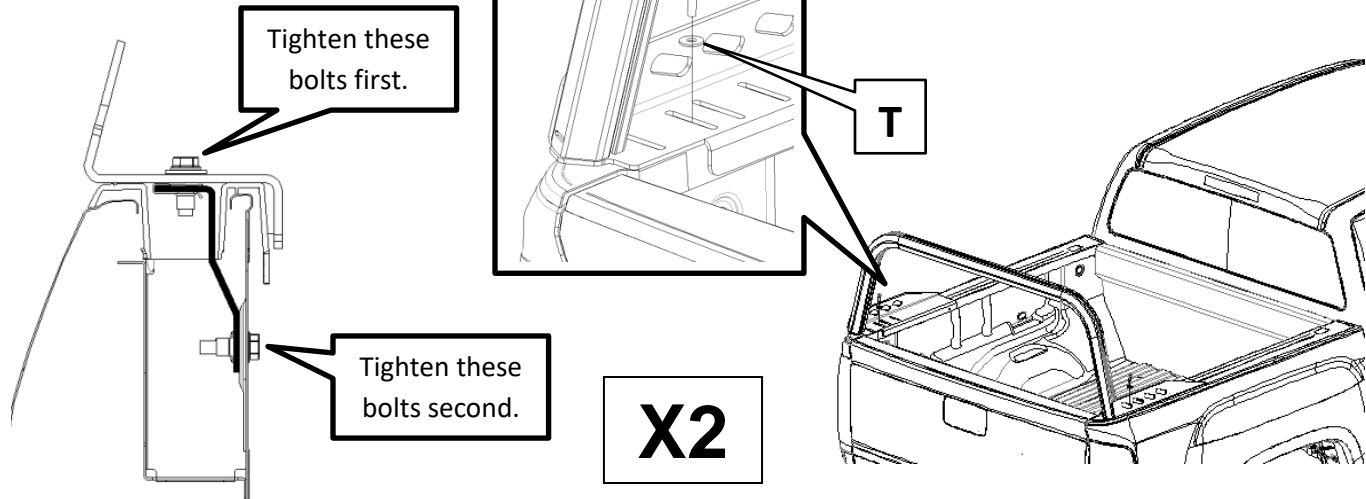
6

Insert brace (**D**) with the clips installed as shown in the rear driver's side stake pocket. Attach using the oversized washer (**I**) and 8mm Bolt (**L**). Snug the bolt, but do NOT completely tighten. Repeat this step on the passenger side using the other brace (**D**).



## 7 Cab Rack Installation

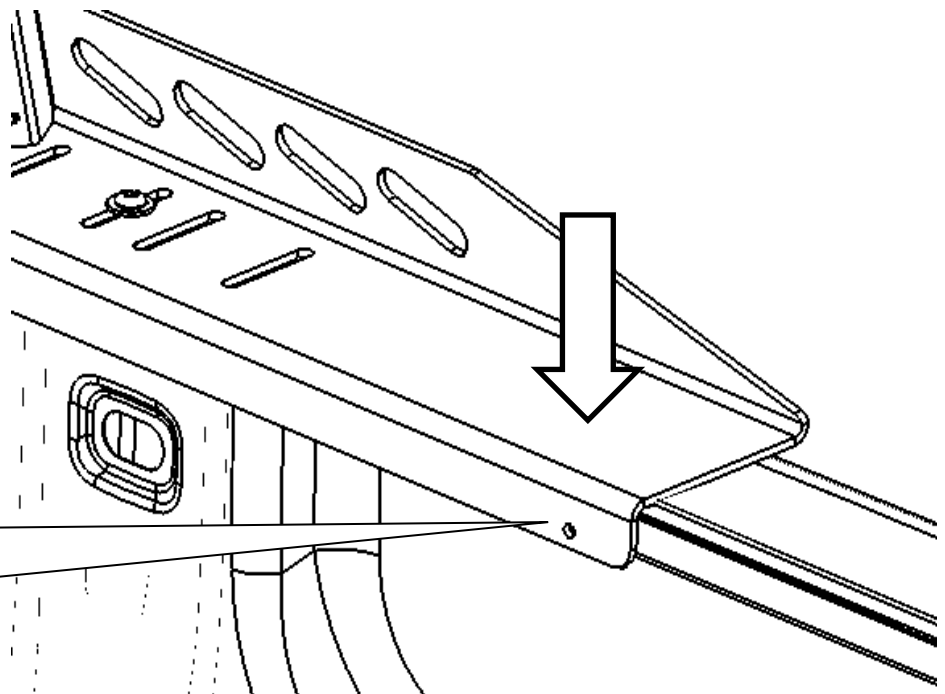
Place the assembled cab rack onto the bed of the truck. Align the cab rack to the vehicle and attach it to the braces using the 5/16" USS Washers (T) and 8mm Bolts (L).



## 8

Press down on the cab rack brace and mark the hole on the inside vertical lip of the truck bed and drill using 1/4" drill bit

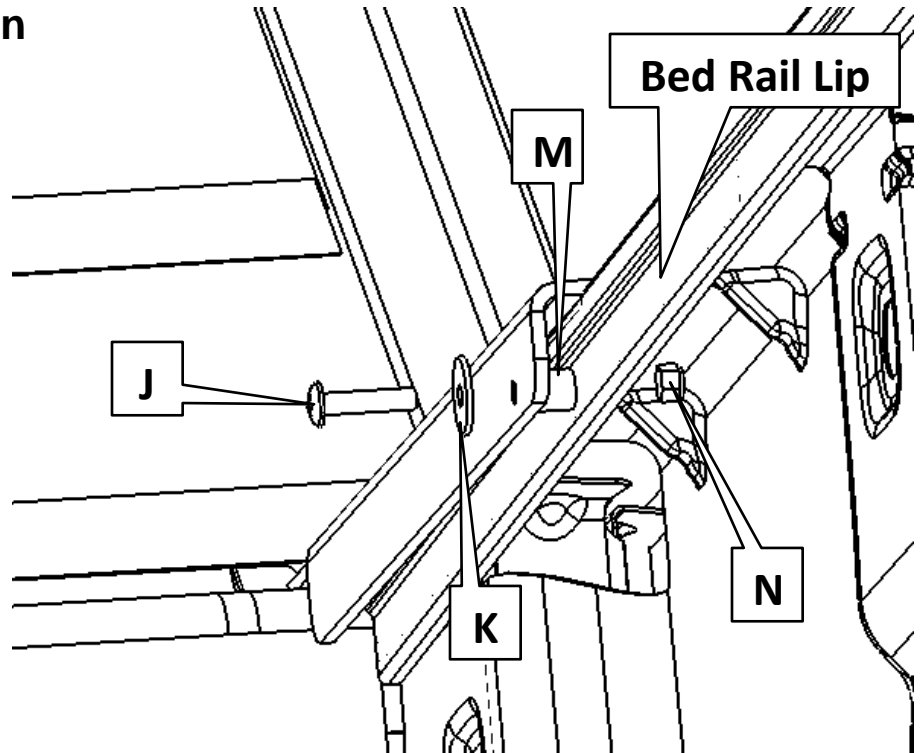
**X2**



## 9 Cab Rack Installation

Install hardware as shown in the drilled hole on the inside vertical lip of the truck bed and the Bolt-On Mounting Bracket.

The spacer (M) may not be necessary. The spacers are included to account for variation in the bed width.



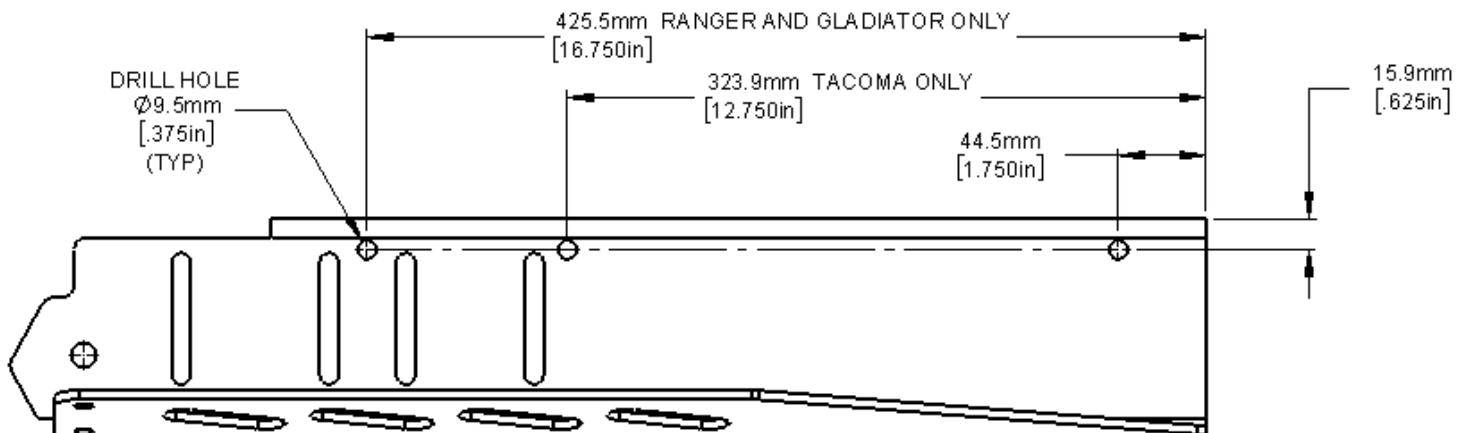
**X2**

**After this step,  
skip to step 12.**

## 10 Tacoma, Ranger, or Gladiator ONLY

Mark out Two holes on Bolt on Mounts (B&C) as shown and drill using 3/8" drill bit.

**X2**

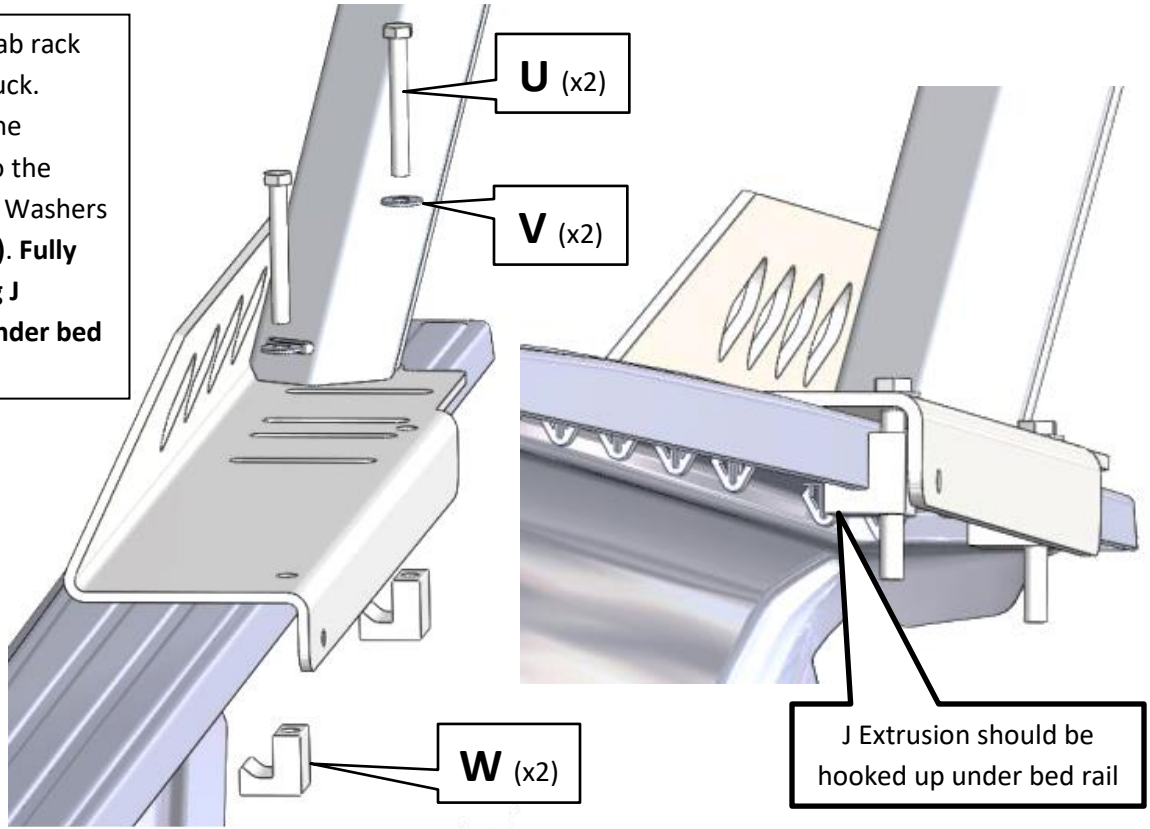


**Once holes are drilled,  
Continue to Step 1.**

# 11 Tacoma, Ranger, or Gladiator ONLY

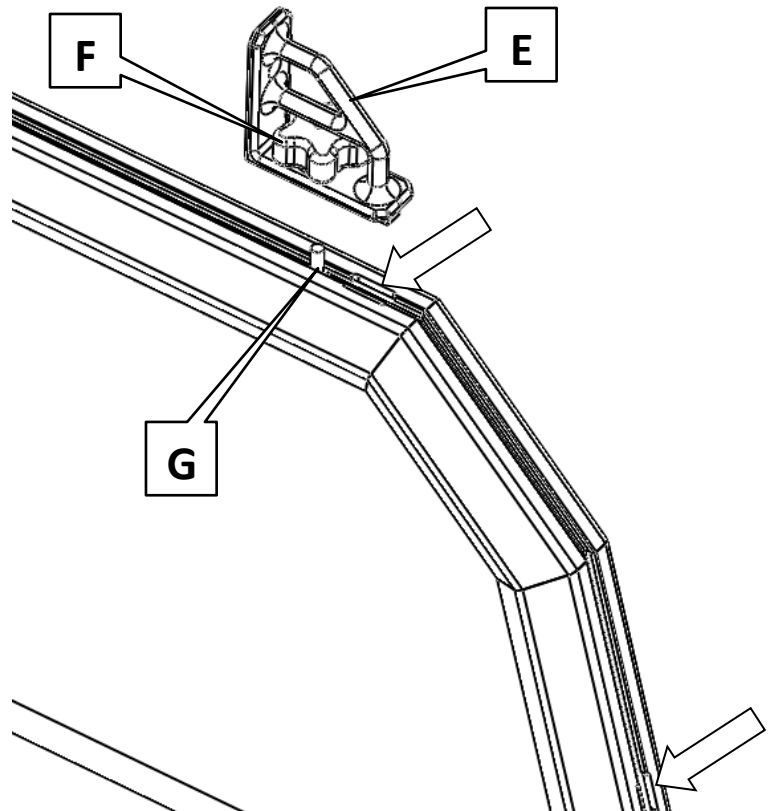
Place the assembled cab rack onto the bed of the truck. Align the cab rack to the vehicle and attach it to the braces using Bolts (U), Washers (V) and J Extrusion (W). Fully Tighten bolts ensuring J Extrusion is hooked under bed rail.

**X2**



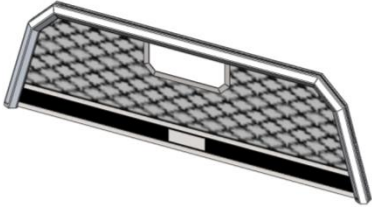
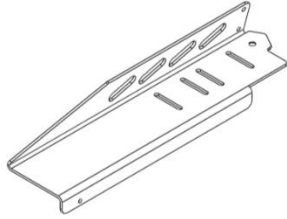
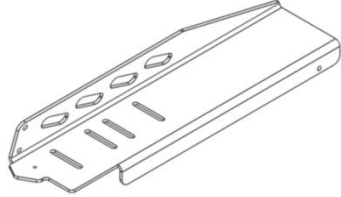
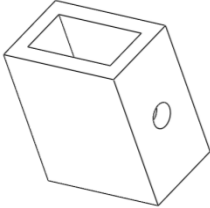
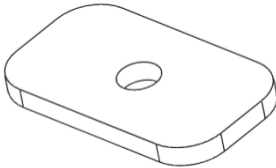
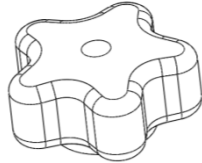
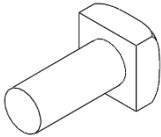
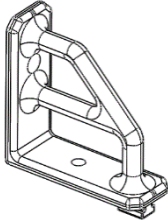

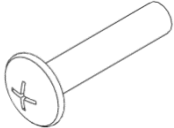
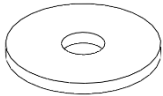
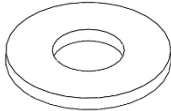
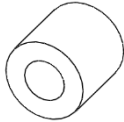
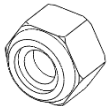
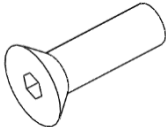


# 12 Tie Down Installation

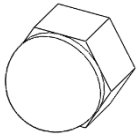

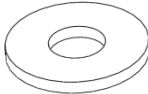
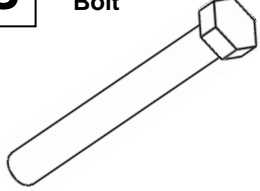
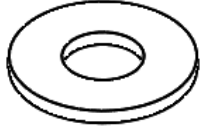
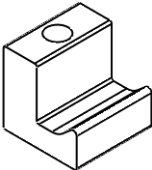
Optionally, to Install (E) Tie Downs use hardware as shown in the milled slots of the Cab Rack Tube Frame



**Any left-over hardware may be discarded at this time.**

## DZ 95070R(B,TB) Cab Rack Installation Instructions

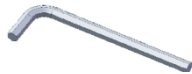
<p><b>A</b> Cab Rack</p>  <p style="text-align: center;">Varies <span style="float: right;">X1</span></p>	<p><b>B</b> Left Bolt-On Mount</p>  <p style="text-align: center;">Varies <span style="float: right;">X1</span></p>	<p><b>C</b> Right Bolt-On Mount</p>  <p style="text-align: center;">Varies <span style="float: right;">X1</span></p>	
<p><b>D</b> Rubber Mounting Block</p>  <p style="text-align: center;">SR RUBMNT1 <span style="float: right;">X2</span></p>	<p><b>E</b> 3/8" Threaded Plate</p>  <p style="text-align: center;">PN 407 <span style="float: right;">X2</span></p>	<p><b>F</b> Knob</p>  <p style="text-align: center;">WQ500-KNOB <span style="float: right;">X2</span></p>	
<p><b>G</b> Square Head Bolt</p>  <p style="text-align: center;">PN 524 <span style="float: right;">X6</span></p>	<p><b>H</b> Tie Down</p>  <p style="text-align: center;">TD95P <span style="float: right;">X2</span></p>	<p><b>I</b> 3/8" x 3/5" Bolt</p>  <p style="text-align: center;">PN 620 <span style="float: right;">X2</span></p>	
<p><b>J</b> 1/4" Phillips Head Screw</p>  <p style="text-align: center;">PN 485 <span style="float: right;">X2</span></p>	<p><b>K</b> 1/4" Fender Washer</p>  <p style="text-align: center;">PN 265 <span style="float: right;">X2</span></p>	<p><b>L</b> 3/8" Washer</p>  <p style="text-align: center;">PN 113 <span style="float: right;">X4</span></p>	<p><b>M</b> 1/4" x 1/2" Nylon Spacer</p>  <p style="text-align: center;">PN 703 <span style="float: right;">X2</span></p>
<p><b>N</b> 1/4" Locknut</p>  <p style="text-align: center;">PN 341 <span style="float: right;">X2</span></p>	<p><b>O</b> 3/8-1.25" Flat Socket Bolt</p>  <p style="text-align: center;">PN 353 <span style="float: right;">X2</span></p>	<p><b>P</b> 7/16" x 1/2" Nylon Spacer</p>  <p style="text-align: center;">PN 1060 <span style="float: right;">X2</span></p>	<p><b>Q</b> 5/16" SAE Washer</p>  <div style="border: 1px solid black; padding: 2px; width: fit-content; margin: 5px auto;"> <p style="text-align: center; margin: 0;">3/4" OUTSIDE DIAMETER</p> </div> <p style="text-align: center;">PN 339 <span style="float: right;">X4</span></p>

<p><b>R</b> M8 Acorn Cap Nut</p>  <p>PN 1038 X4</p>	<p><b>S</b> Adhesive Pad</p>  <p>FGT 12 X2</p>	<p><b>T</b> 5/16" USS Washer</p>  <p>1" OUTSIDE DIAMETER</p> <p>PN 325B X2</p>	<p><b>U</b> 5/16" X 2.5" Hex Bolt</p>  <p>PN 1156 X4</p>
<p><b>V</b> 5/16" Washer</p>  <p>7/8" OUTSIDE DIAMETER</p> <p>PN 163 X4</p>	<p><b>W</b> 5/16 J Extrusion</p>  <p>PN 706 X4</p>	<p><b>IF YOU HAVE A COLORADO START ON STEP 1. IF YOU HAVE A RANGER, TACOMA, OR GLADIATOR SKIP TO STEP 10.</b></p>	

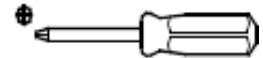
**Tools Required**

**Allen Wrench**

- 4mm
- 5mm
- 7/32"



**Phillips Head Screwdriver**



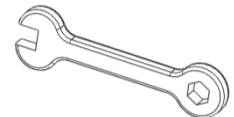
**Drill**

- 1/4" Drill Bit
- 3/8" Drill Bit



**Ratchet and Socket or Wrench**

- 13mm
- 1/2"

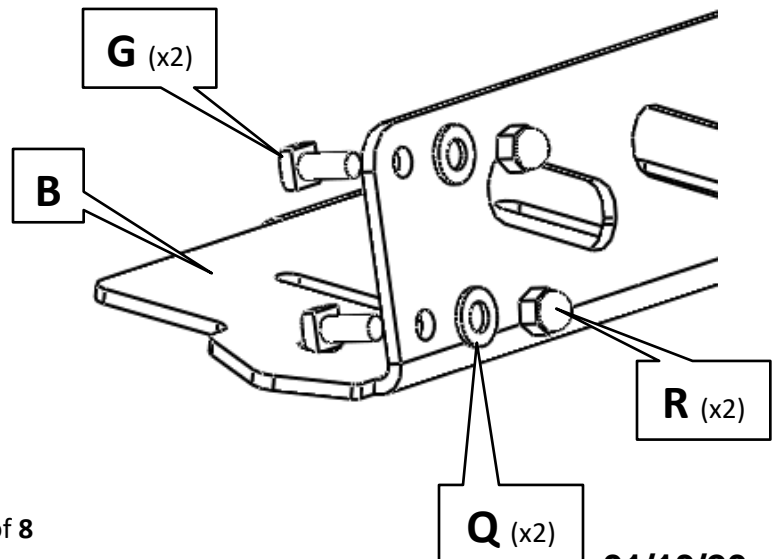


**1 Driver Side – Brace Mount**

Install Hardware **(G)** Square Head Bolt, **(Q)** 5/16" Washer, and **(R)** M8 Acorn Nut onto the **(B)** Left Bolt-On Mount as shown. Leave hardware loose.

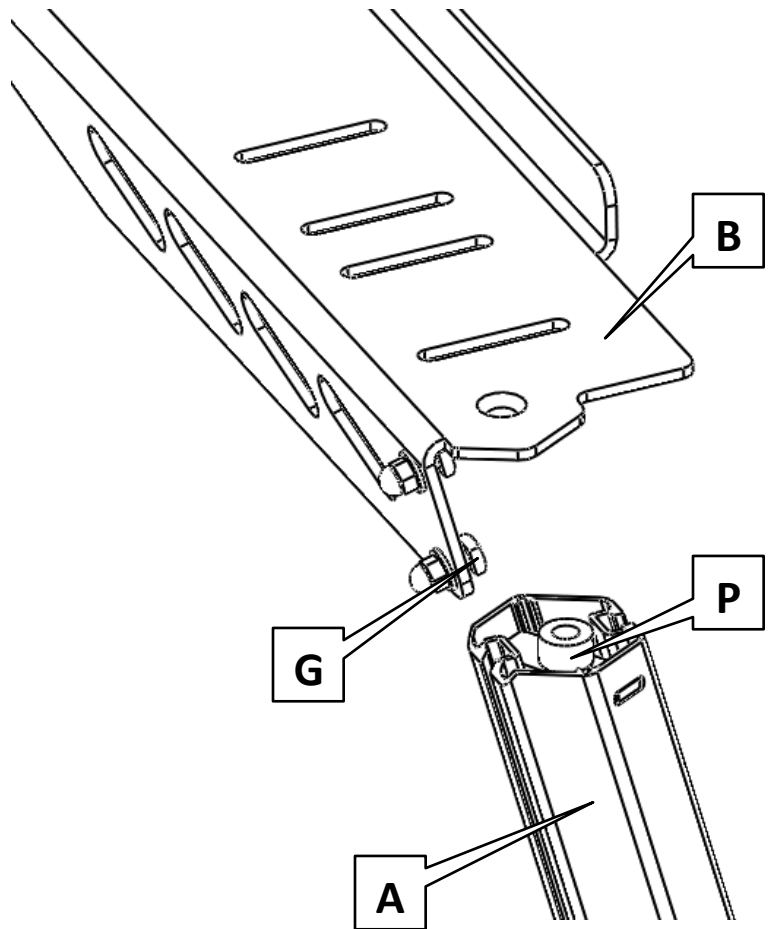
\* **Passenger side** follows same steps as in Driver side installation.\*

Brackets Needed: **C**

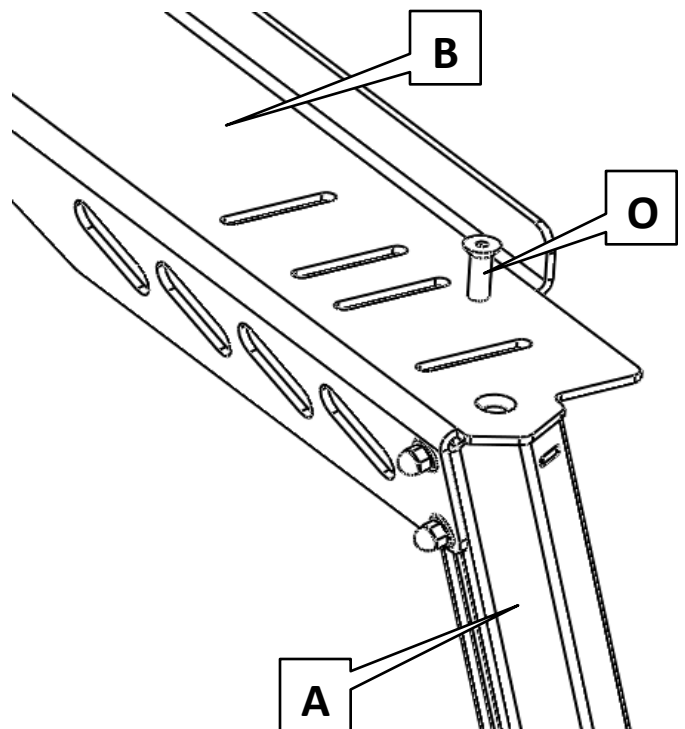


## 2 Driver Side – Brace Mount

Align **(G)** Square Head Bolt with the channel in **(A)** Cab Rack frame upright tube. Slide **(B)** Left Bolt-On Brace with hardware down channel until flush with bottom of **(A)** Cab Rack frame upright tube.



Align **(O)** 3/8-1.25" Flat Socket Bolt with the countersunk hole in **(B)** Left Bolt-On Brace ensuring **(P)** 7/16" x 1/2" Nylon Spacer stays in place on top of the Threaded Plate. Tighten Hardware.



**\* Tighten All Hardware \***

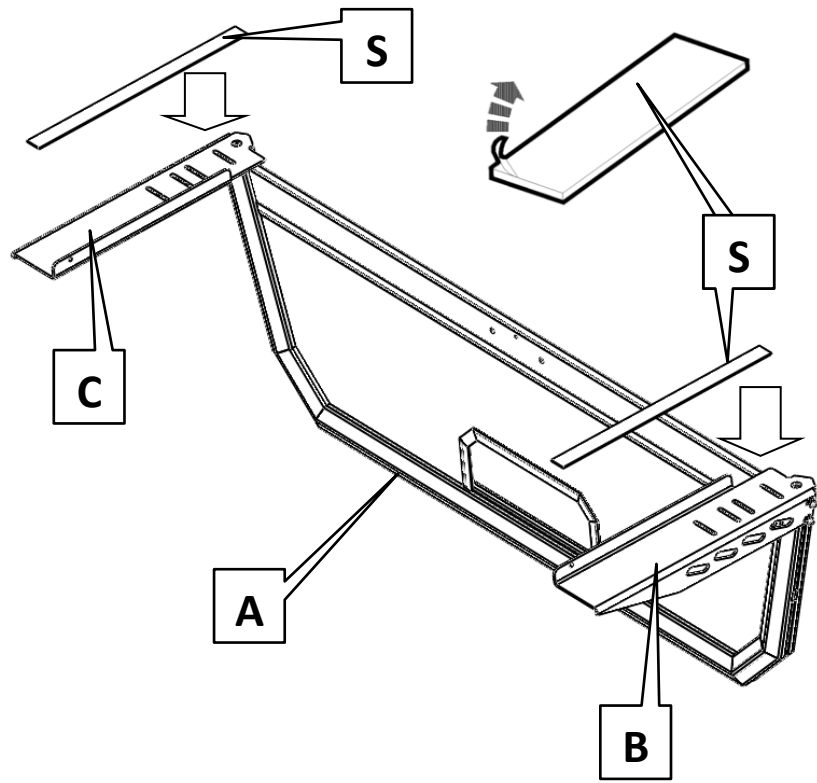
**\* Passenger side** follows same steps as in Driver side installation.\*

Brackets Needed: **C**

### 3 Driver Side – Brace Mount

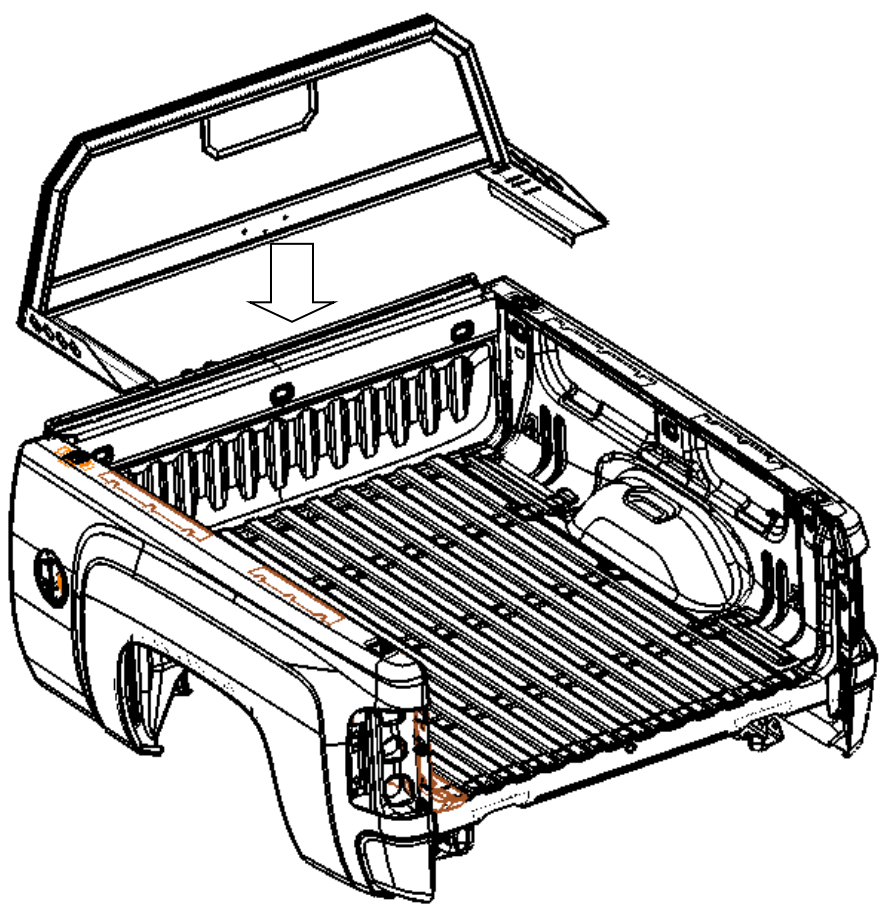
Peel backing off of (S)  
Adhesive Foam Pad and  
place on the bottom of each  
(B) and (C).

Once step 3 is complete, if  
you have a Colorado,  
continue to step 4. If you  
have a Tacoma, Ranger, or  
Gladiator skip to step 11.



### 4 Cab Rack Installation

Place Assembled Cab Rack  
onto front side bed rails of  
truck

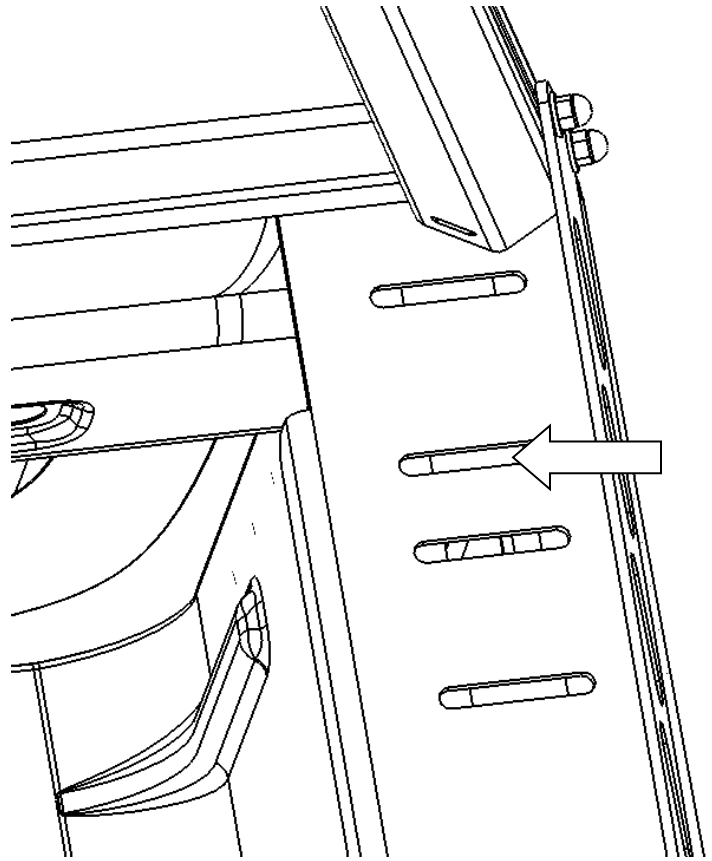




## 5 Cab Rack Installation

Mark the slot in the Bolt-On Mounting Bracket that lines up with the stake pocket holes in the top of the truck bed rails.

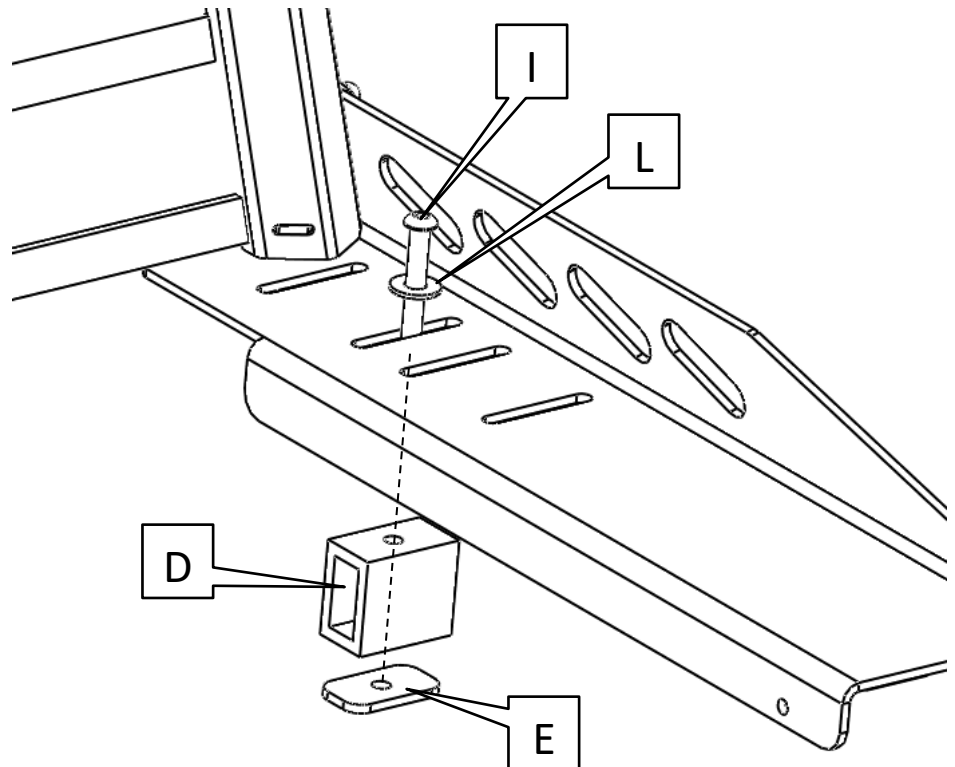
\* If your Cab Rack does not line up with a stake pocket hole, refer to end of installation instruction\*



6

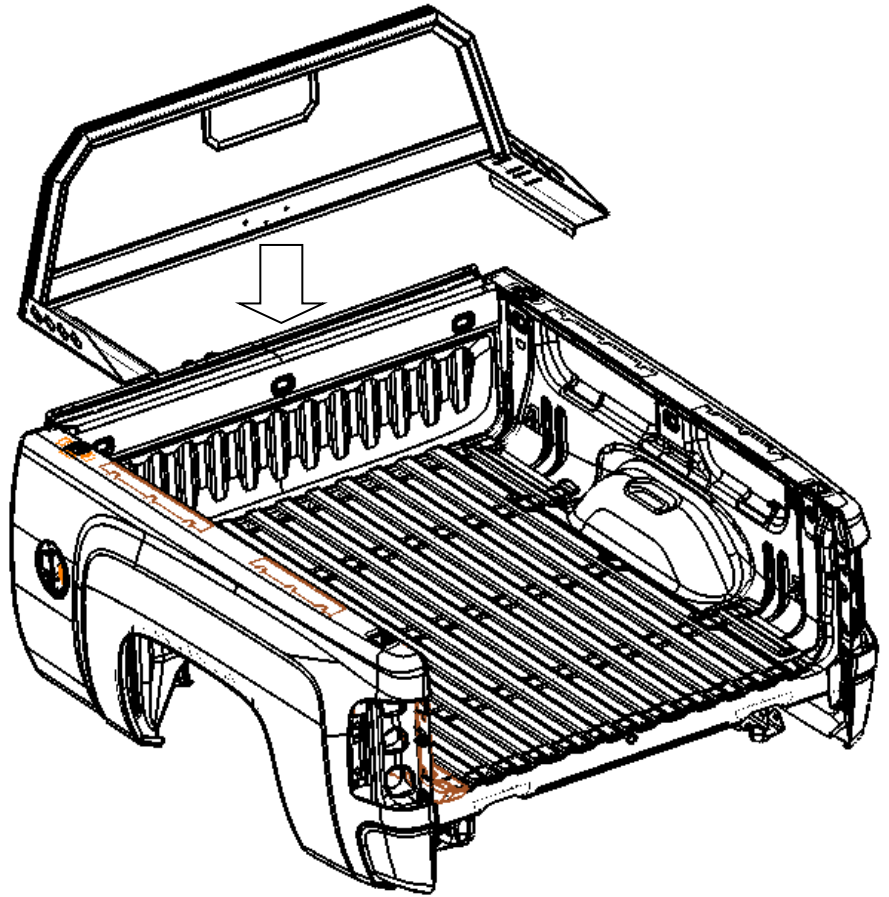
Remove Cab Rack from truck bed and install hardware as shown in the marked slot of the Bolt-On Mounting Bracket

X2



## 7 Cab Rack Installation

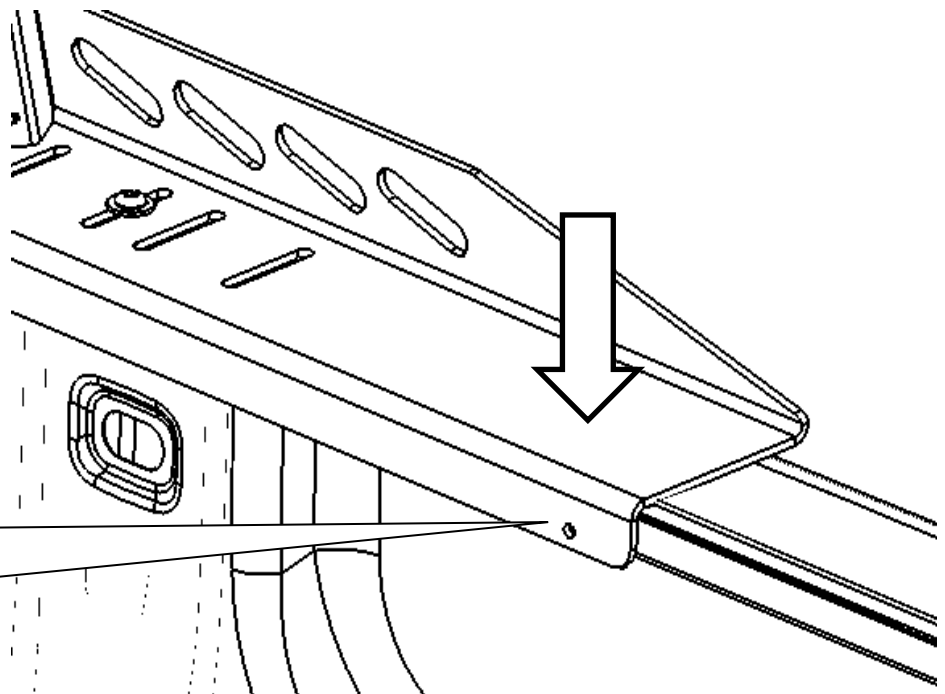
Place Assembled Cab Rack onto front side bed rails of truck inserting rubber mounting blocks into the stake pocket holes in the top of the truck bed rails. Tighten hardware till cab rack is snug.



## 8

Press down on the cab rack brace and mark the hole on the inside vertical lip of the truck bed and drill using 1/4" drill bit

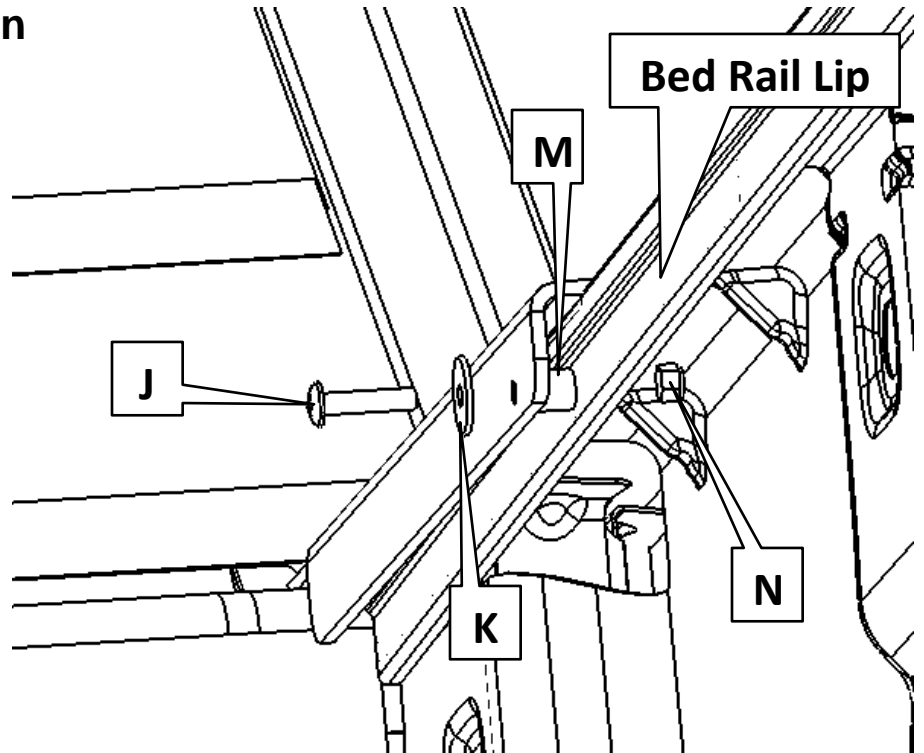
**X2**



## 9 Cab Rack Installation

Install hardware as shown in the drilled hole on the inside vertical lip of the truck bed and the Bolt-On Mounting Bracket.

The spacer (M) may not be necessary. The spacers are included to account for variation in the bed width.



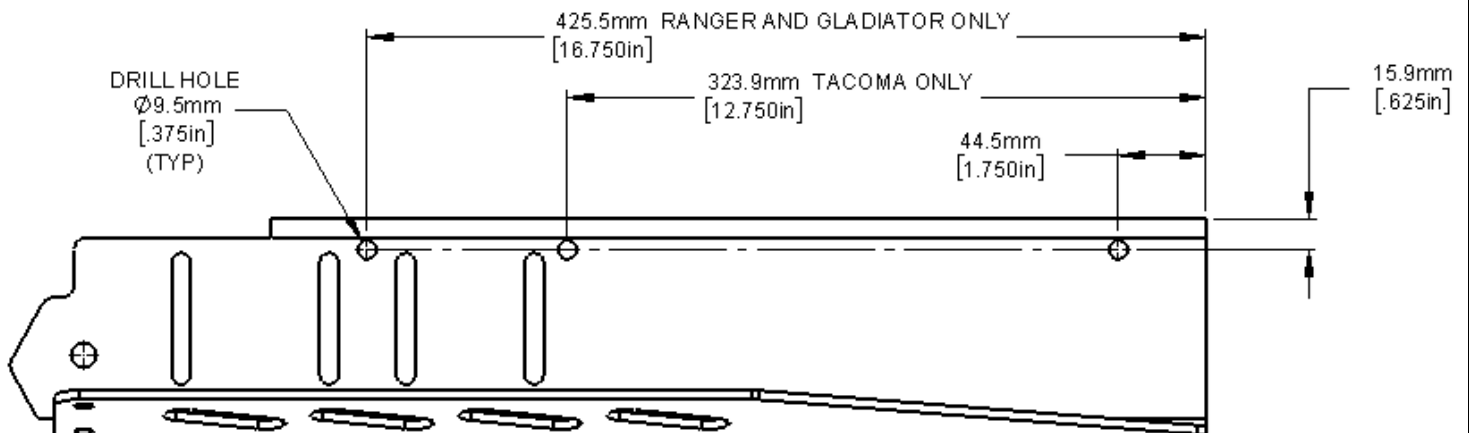
**X2**

After this step,  
skip to step 12.

## 10 Tacoma, Ranger, or Gladiator ONLY

Mark out Two holes on Bolt on Mounts (B&C) as shown and drill using 3/8" drill bit.

**X2**

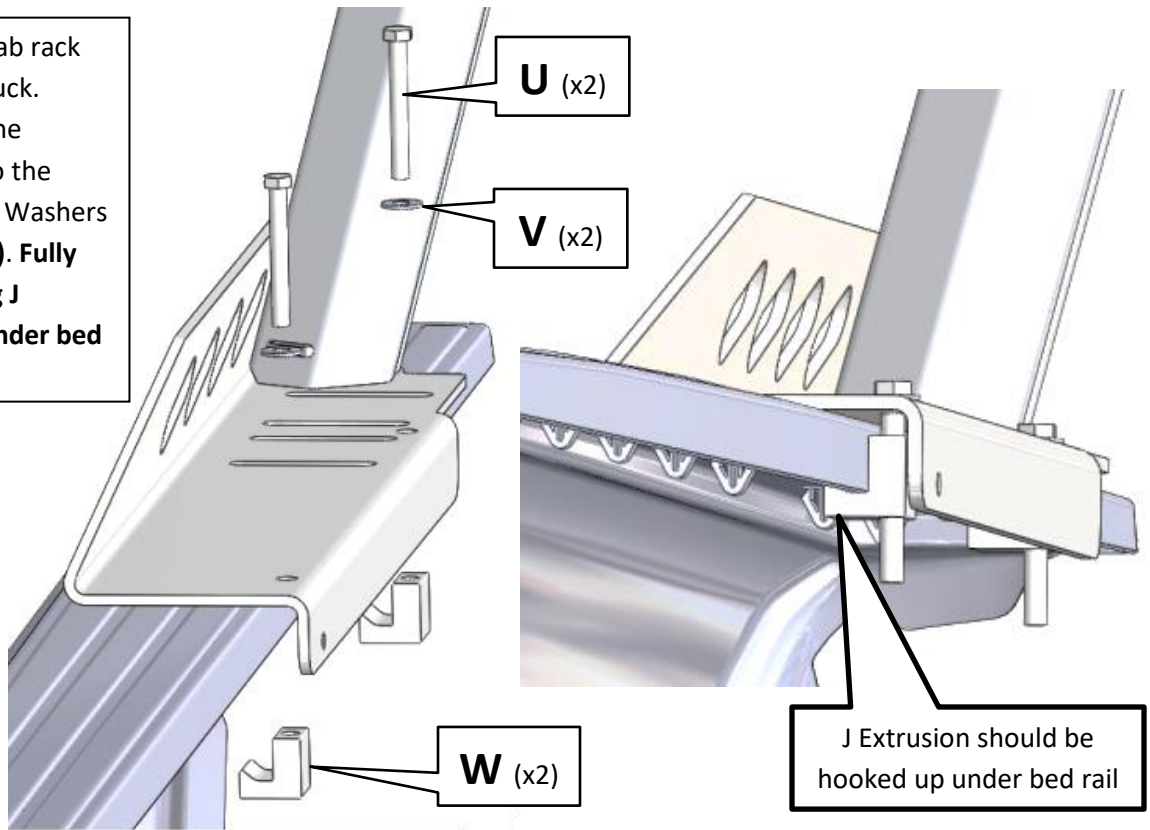


Once holes are drilled,  
Continue to Step 1.

# 11 Tacoma, Ranger, or Gladiator ONLY

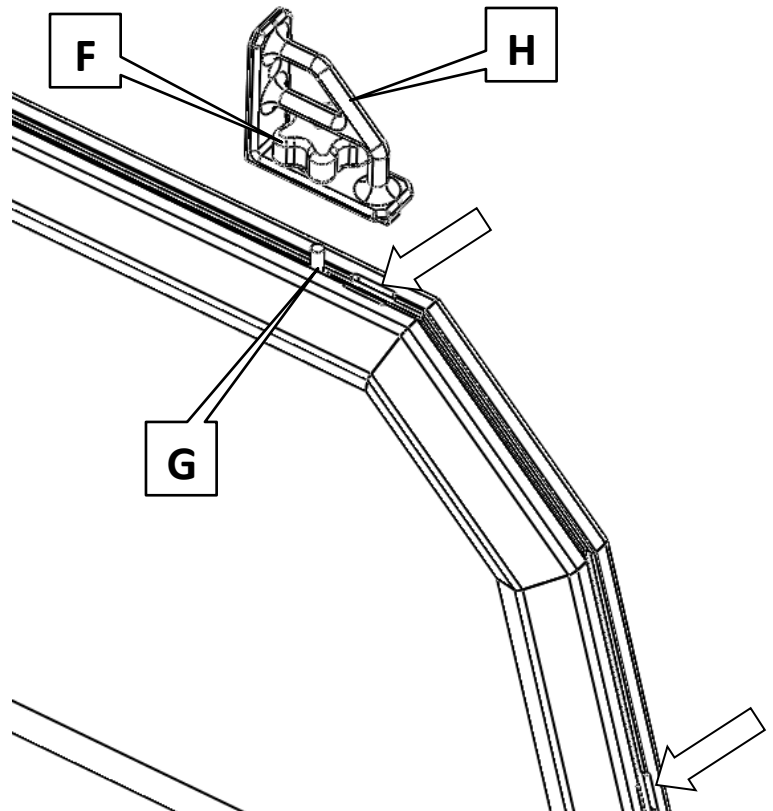
Place the assembled cab rack onto the bed of the truck. Align the cab rack to the vehicle and attach it to the braces using Bolts (U), Washers (V) and J Extrusion (W). Fully Tighten bolts ensuring J Extrusion is hooked under bed rail.

**X2**



# 12 Tie Down Installation

Optionally, to Install (E) Tie Downs use hardware as shown in the milled slots of the Cab Rack Tube Frame



**Any left-over hardware may be discarded at this time.**