



www.DaystarWeb.com
Tech Support Contact Info
Tech@DaystarWeb.com
Phone: 623.907.0081
Fax: 623.907.0088
841 South 71st Avenue
Phoenix, AZ 85043

KT09120

**Toyota Tacoma Easy install front and rear block lift.
4wd & 2wd 6 lug only**



Instruction Sheet P11032-01
2008 Daystar Products International Inc.

1 of 4 pages

Installation Steps

1. Read all instructions and check bill of materials and tools before beginning.
2. Disconnect the negative battery cable.
3. Place the vehicle on a clean and level surface. Set the parking brake and place wheel chocks behind the rear wheels. Jack up the front of the vehicle by the frame with a floor jack and support vehicle at the frame rails with approved jack stands. **NEVER WORK UNDER AN UNSUPPORTED VEHICLE.**
4. Disconnect the ABS and brake lines from the upper a-arm and spindle (10mm and 12mm bolts.



5. Disconnect the sway bar on both side at the spindle. (17mm bolt.)



6. Remove the upper strut nuts.(14mm nuts) You will need to reuse them later.
7. Remove upper ball joint nut (19mm nut) and separate the ball joint from the spindle by hitting the side of the spindle. **DO NOT** use a ball joint separator tool it can damage the ball joint boot.



Installation Steps

8. Remove the lower strut bolt and nut (19mm) .
9. Remove the strut from the vehicle.
10. Install the stud extenders and spacer on the top of the strut plate.



11. Reinstall the strut into the vehicle and tighten the upper strut nuts. You will have to push up on the upper a-arm to get the strut back in.
12. Reinstall the suspension working in reverse order.



13. Recheck all bolts after 500 miles.
14. Daystar Recommends that you have your wheel alignment checked.

TOOLS NEEDED

1. Floor Jack
2. Jack stands
3. Wheel chocks
4. Set of metric tools from 10mm to 19mm
5. Hammer

Bill of Materials

<u>Part No.</u>	<u>Description</u>	<u>Qty</u>
M03724	Spacer	2
S11057	Stud ext	6
P11132	Instructions	

Instruction Sheet P11032-01

2008 Daystar Products Intl

Page 3 of 4

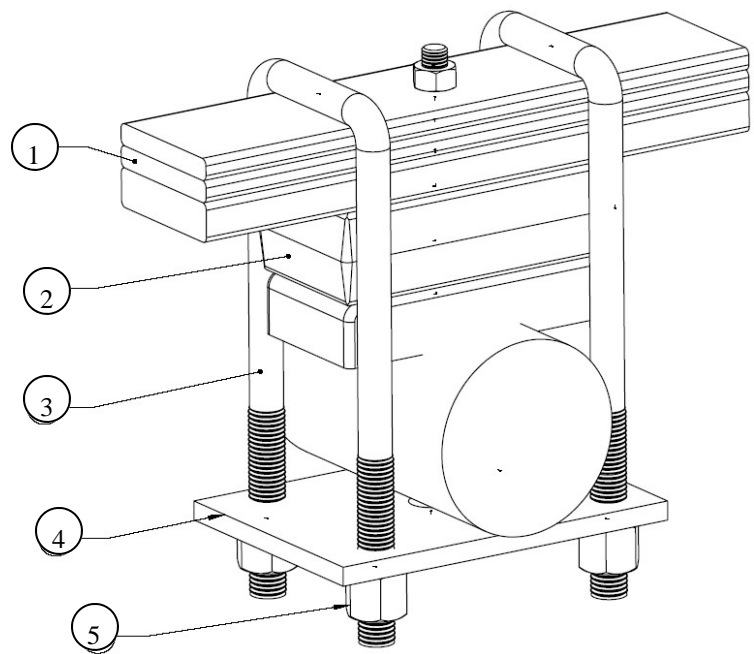
Rear instructions sheet.

Rear Bill of Materials

<u>Part No</u>	<u>Description</u>	<u>Qty</u>
S10967	BLOCK	2
S10958	U-BOLT	4
S10959	NUT	8
S10963	WASHER	8

15. Jack up the rear of the truck and place 2 jack stands under the rear frame and lower down and remove the rear wheels.
16. Place the floor jack under the rear axle and remove the 4 u-bolts and nuts and lower down the axle enough to fit the lifting blocks into position.
17. Install lifting block, new u-bolts, washers and hex nuts. Torque to 95ft-lbs
18. Install the rear wheels and place back on the ground.

- | |
|--|
| <ol style="list-style-type: none">1. OE SPRING2. LIFTING BLOCK3. U-BOLT 9/16-184. OE U-BOLT PLATE5. NUT&WASHER |
|--|



WARNING

This vehicle has been modified to enhance its performance. The steering, braking and handling of this vehicle will differ from standard passenger cars and trucks, This vehicle handles differently from an ordinary vehicle in driving conditions which may occur on streets, highways and off road. Avoid unnecessary abrupt maneuvers, sudden stops, sharp turns and other driving conditions that could cause loss of control, possibly leading to a roll over or other accident that could result in serious injury or death to driver and passengers. If larger tires are installed the speedometer will read lower than the vehicles actual speed.

DRIVE WITH CARE, REDUCE SPEED AND WEAR SEAT BELTS AT ALL TIMES.

Instruction Sheet P11032-01

**2008 Daystar Products Intl
Page 4 of 4**

