

OWNER'S MANUAL

CONTENTS:

Page	1	Specifications
	2	Warning Information
	3	Setup, Operating and Preventative Maintenance
	4	Troubleshooting and Warranty Information
	5	Maintenance
	6	Exploded View Drawing and Replacement Parts



SPECIFICATIONS

Capacity.....	2 TON Maximum
Minimum Height	3-1/2"
Maximum Height	20"
Chassis Length.....	26-1/2"
Overall Width	13"
Handle Length	50"
Saddle Diameter.....	4-9/16"
Shipping Weight	50 Lbs.

WARNING INFORMATION



This is the safety alert symbol. It is used to alert you to potential personal injury hazards. Obey all safety messages that follow this symbol to avoid possible injury or death.

WARNING

WARNING: Indicates a hazardous situation which, if not avoided, could result in death or serious injury.



IMPORTANT: READ THESE INSTRUCTIONS BEFORE OPERATING

BEFORE USING THIS DEVICE, READ THIS MANUAL COMPLETELY AND THOROUGHLY, UNDERSTAND ITS OPERATING PROCEDURES, SAFETY WARNINGS AND MAINTENANCE REQUIREMENTS.

It is the responsibility of the owner to make sure all personnel read this manual prior to using the device. It is also the responsibility of the device owner to keep this manual intact and in a convenient location for all to see and read. If the manual or product labels are lost or not legible, contact Sunex for replacements. If the operator is not fluent in English, the product and safety instructions shall be read to and discussed with the operator in the operator's native language by the purchaser/owner or his designee, making sure that the operator comprehends its contents.

THE NATURE OF HAZARDOUS SITUATIONS

WARNING

The use of portable automotive lifting devices is subject to certain hazards that cannot be prevented by mechanical means, but only by the exercise of intelligence, care, and common sense. It is therefore essential to have owners and personnel involved in the use and operation of the equipment who are careful, competent, trained, and qualified in the safe operation of the equipment and its proper use. Examples of hazards are dropping, tipping or slipping of loads caused primarily by improperly securing loads, overloading, off-centered loads, use on other than hard level surfaces, and using equipment for a purpose for which it was not designed.

METHODS TO AVOID HAZARDOUS SITUATIONS

WARNING

- Read, study, understand and follow all instructions before operating this device.
- Inspect the jack before each use. Do not use jack if damaged, altered, modified, in poor condition, leaking hydraulic fluid, or unstable due to loose or missing components. Make corrections before using.
- Lift only on areas of the vehicle as specified by the vehicle manufacturer.
- Wear eye protection that meets ANSI Z87.1 and OSHA standards.
- Do not use jack beyond its rated capacity.
- This is a lifting device only. Immediately after lifting, support the vehicle with jack stands capable of sustaining the load before working on the vehicle.
- Use only on a hard level surface free from obstructions so the jack is free to reposition itself during lifting and lowering operations.
- Center load on saddle. Be sure setup is stable before working on vehicle.
- Do not move or dolly the vehicle while on the jack.
- Do not use saddle adapters or saddle extenders between the stock lifting saddle and the load.
- Do not use any adapters unless approved or supplied by Sunex.
- Always lower the jack slowly and carefully.
- This product contains one or more chemicals known to the State of California to cause cancer and birth defects or other reproductive harm. *Wash hands thoroughly after handling.*
- Failure to heed these warnings may result in serious or fatal personal injury and/or property damage.

CONSEQUENCES OF NOT AVOIDING HAZARDOUS SITUATIONS

WARNING

Failure to read this manual completely and thoroughly, failure to understand its OPERATING INSTRUCTIONS, SAFETY WARNINGS, MAINTENANCE INSTRUCTIONS and comply with them, and failure to comply with the METHODS TO AVOID HAZARDOUS SITUATIONS could cause accidents resulting in serious or fatal personal injury and/or property damage.

OWNER'S MANUAL

SETUP

PLEASE REFER TO THE EXPLODED VIEW DRAWING IN THIS MANUAL IN ORDER TO IDENTIFY PARTS.

1. Depress the spring button at the bottom of the reference number (59) upper handle half and insert it in the reference number (49) lower handle half until the spring button engages the hole in the lower handle half.
2. Remove the reference number (50) handle set screw from the reference number (53) handle yoke. Install the assembled handle into the reference number (53) handle yoke, making sure the bottom of the handle engages the release valve u-joint reference number (61).
3. Install the reference number (50) handle set screw in the reference number (53) handle yoke and tighten the screw to secure the handle in the yoke.
4. Air may become trapped in the hydraulic system during shipping and handling. Trapped air will affect the pumping performance of the jack. If this occurs, follow the air purging procedure below:
 - a) Remove the reservoir fill plug (62).
 - b) With the saddle (34) in its down position, look inside the oil fill screw hole. You should be able to see the top of the power unit's pressure cylinder. The recommended hydraulic fluid level should be no higher than the top of the cylinder. Correct the fluid level if it is not at the proper height with the recommended hydraulic fluid mentioned in the PREVENTATIVE MAINTENANCE section below.
 - c) Pump the jack against a load that is at least 500 lbs. (225 Kgs). After the load is raised, slightly turn the pump handle in a counter clockwise rotation so the load is very slowly lowered. While the saddle is lowering, quickly pump the handle 5 or 6 full incremental pump strokes. After pumping, lower the saddle to its full rest position.
 - d) Install the reservoir fill plug (62). Rotate the handle in a clockwise rotation until tight and pump the lift arm to maximum height. If the pumping condition has improved, repeat steps "a" through "d" until all of the air has been purged from the system.

OPERATING INSTRUCTIONS



This is the safety alert symbol used for the OPERATING INSTRUCTIONS section of this manual to alert you to potential personal injury hazards. Obey all instructions to avoid possible injury or death.

IMPORTANT: Before attempting to raise any vehicle, check vehicle service manual for recommended lifting surfaces.

OPERATION:

1. **To raise load:** Turn the handle in a clockwise direction until tight. Position the jack under the load. Proceed to pump the handle in order to raise the lift arm to the load. As the saddle at the end of the lift arm gets closer to the load, reposition the jack so the saddle will contact the load firmly and the load is centered on the saddle. Make sure the saddle is correctly positioned. Raise the load to the desired work height. Place jack stands of appropriate capacity at the vehicle manufacturers's recommended support areas that provide stable support for the raised vehicle. **DO NOT CRAWL UNDER VEHICLE WHILE LIFTING VEHICLE OR PLACING OR REMOVING THE JACK STANDS!** Once jack stands are positioned, turn the handle VERY SLOWLY. Lower the load to rest on the jack stands. Inspect the relationship between the jack stands and load to make sure the setup is stable and safe. If the setup is not stable or safe, follow the preceding steps until corrected.
2. **To lower load:** Follow the procedures mentioned in "To raise load" section of the OPERATING INSTRUCTIONS in order to raise the load off the jack stands. Once the load has cleared the jack stands, remove the jack stands from under the load and away from the work area. Turn handle very slowly in a counterclockwise direction until the load is completely lowered to the ground. Once the jack's lifting saddle has cleared the load, remove the jack from under the load. **CAUTION:** Keep hands and feet away from the hinge mechanism of the jack.

PREVENTATIVE MAINTENANCE



This is the safety alert symbol used for the PREVENTATIVE MAINTENANCE section of this manual to alert you to potential personal injury hazards. Obey all instructions to avoid possible injury or death.

1. Always store the jack in a well protected area where it will not be exposed to inclement weather, corrosive vapors, abrasive dust, or any other harmful elements. The jack must be cleared of water, snow, sand or grit before using.
2. The jack must be lubricated periodically in order to prevent premature wearing of parts. A general purpose grease must be applied to all zerk grease fittings, caster wheels, front axle, elevator arm, handle base pivot bolts, release mechanism and all other bearing surfaces. Worn parts resulting from inadequate or no lubrication are not eligible for warranty consideration. See page 5 for lubrication instructions.
3. It should not be necessary to refill or top off the reservoir with hydraulic fluid unless there is an external leak. An external leak requires immediate repair which must be performed in a dirt-free environment by an authorized service center.

IMPORTANT: In order to prevent seal damage and jack failure, never use alcohol, hydraulic brake fluid or transmission oil in the jack. Use Chevron Hydraulic Oil AW ISO 32 or its equivalent Unocal Unax AW 150.

4. Every jack owner is responsible for keeping the jack labels clean and readable. Use a mild soap solution to wash external surfaces of the jack but not any moving hydraulic components.
5. Inspect the jack before each use. Do not use the jack if any component is cracked, broken, bent, shows sign of damage or leaks hydraulic fluid. Do not use the jack if it has loose or missing hardware or components, or is modified in any way. Take corrective action before using the jack again.
6. Any hydraulic repairs within the warranty period must be performed by an authorized service center.

OWNER'S MANUAL

INSPECTION

Visual inspection should be made before each use of the jack, checking for leaking hydraulic fluid and damaged, loose or missing parts. Each jack must be inspected by a manufacturer's repair facility immediately if subjected to an abnormal load or shock. Any jack which appears to be damaged in any way, is found to be badly worn, or operates abnormally **MUST BE REMOVED FROM SERVICE** until necessary repairs are made by a manufacturer's authorized repair facility. It is recommended that an annual inspection of the jack be made by a manufacturer's authorized repair facility and that any defective parts, decals or warning labels be replaced with manufacturer's specified parts. A list of authorized repair facilities is available from the manufacturer.

PROPER STORAGE

It is recommended that the jack be stored in a dry location with all wheels touching the ground on a relatively level surface.

TROUBLESHOOTING

Important: Service jacks are self-contained devices used for lifting, but not sustaining, a partial vehicular load. In accordance with ASME-PALD Load Sustaining Test: "A load not less than the rated capacity...shall not lower more than 1/8" (3.18mm) in the first minute, nor a total of .1875" (4.76mm) in 10 minutes." Lowering within this range is considered normal operation and is **NOT** a warrantable defect.

PROBLEM	ACTION
1. Unit will not lift load.	Purge air from hydraulic system by following procedure under SETUP.
2. Unit will not sustain load or feels "spongy" under load.	Purge air from hydraulic system as above.
3. Unit will not lift to full height.	Purge air from hydraulic system as above.
4. Handle tends to raise up while the unit is under load.	Pump the handle rapidly several times to push oil past ball valves in power unit.
5. Unit still does not operate.	Contact Sunex authorized hydraulic service center.

OWNER/USER RESPONSIBILITY

The owner and/or user must have an understanding of the manufacturer's operating instructions and warnings before using this jack. Personnel involved in the use and operation of equipment shall be careful, competent, trained, and qualified in the safe operation of the equipment and its proper use when servicing motor vehicles and their components. Warning information should be emphasized and understood. If the operator is not fluent in English, the manufacturer's instructions and warning shall be read to and discussed with the operator in the operator's native language by the purchaser/owner, making sure that the operator comprehends its contents. Owner and/or user must study and maintain for future reference the manufacturers' instructions. Owner and/or user is responsible for keeping all warning labels and instruction manuals legible and intact. Replacement labels and literature are available from the manufacturer.

LIMITED WARRANTY

SUNEX INTERNATIONAL, INC. WARRANTS TO ITS CUSTOMERS THAT THE COMPANY'S SUNEX TOOLS® BRANDED PRODUCTS ARE FREE FROM DEFECTS IN WORKMANSHIP AND MATERIALS.

Sunex International, Inc. will repair or replace its Sunex Tools® branded products which fail to give satisfactory service due to defective workmanship or materials, based upon the terms and conditions of the following described warranty plans attributed to that specific product.

This product carries a ONE-YEAR warranty. During this warranty period, Sunex Tools will repair or replace at our option any part or unit which proves to be defective in material or workmanship.

Other important warranty information

This warranty does not cover damage to equipment or tools arising from alteration, abuse, misuse, damage and does not cover any repairs or replacement made by anyone other than Sunex Tools or its authorized warranty service centers. The foregoing obligation is Sunex Tools' sole liability under this or any implied warranty and under no circumstances shall we be liable for any incidental or consequential damages.

NOTE: Some states do not allow the exclusion or limitation of incidental or consequential damages, so the above limitation or exclusion may not apply to you. Return equipment or parts to an authorized service center, transportation prepaid. Be certain to include your name and address, evidence of the purchase date, and description of the suspected defect. If you have any questions about warranty service, please write to Sunex Tools. This warranty gives you specific legal rights and you may also have other rights which vary from state to state.

Repair kits and replacement parts are available for many of Sunex Tools products regardless of whether or not the product is still covered by a warranty plan.

SHIPPING ADDRESS:

Sunex Tools
315 Hawkins Rd.
Travelers Rest, South Carolina 29690

MAILING ADDRESS:

Sunex Tools
P.O. Box 1233
Travelers Rest, South Carolina 29690

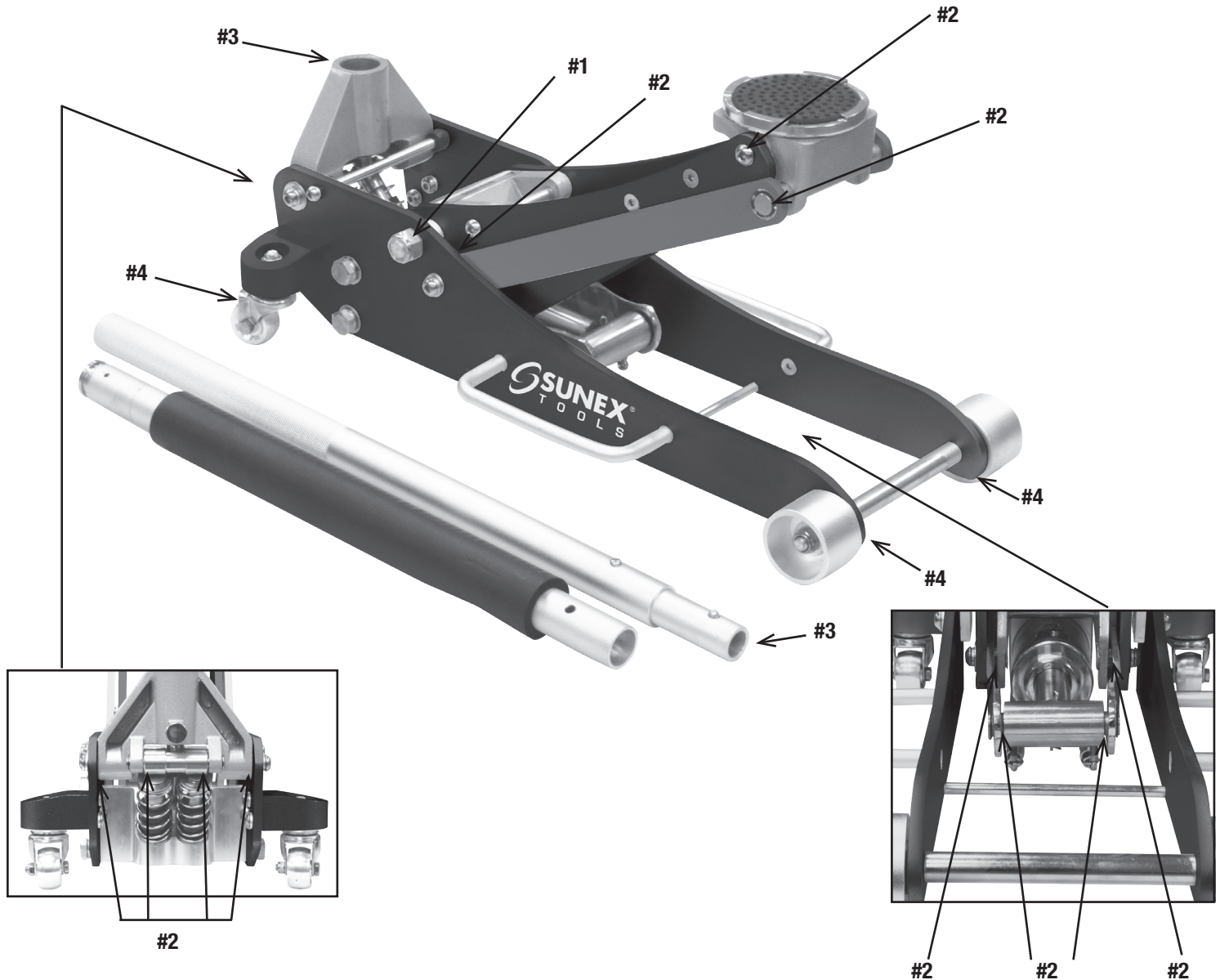
HYDRAULIC MAINTENANCE GUIDE

IMPORTANT: Service jacks are designed for lifting purposes only; always support raised load with jack stands.

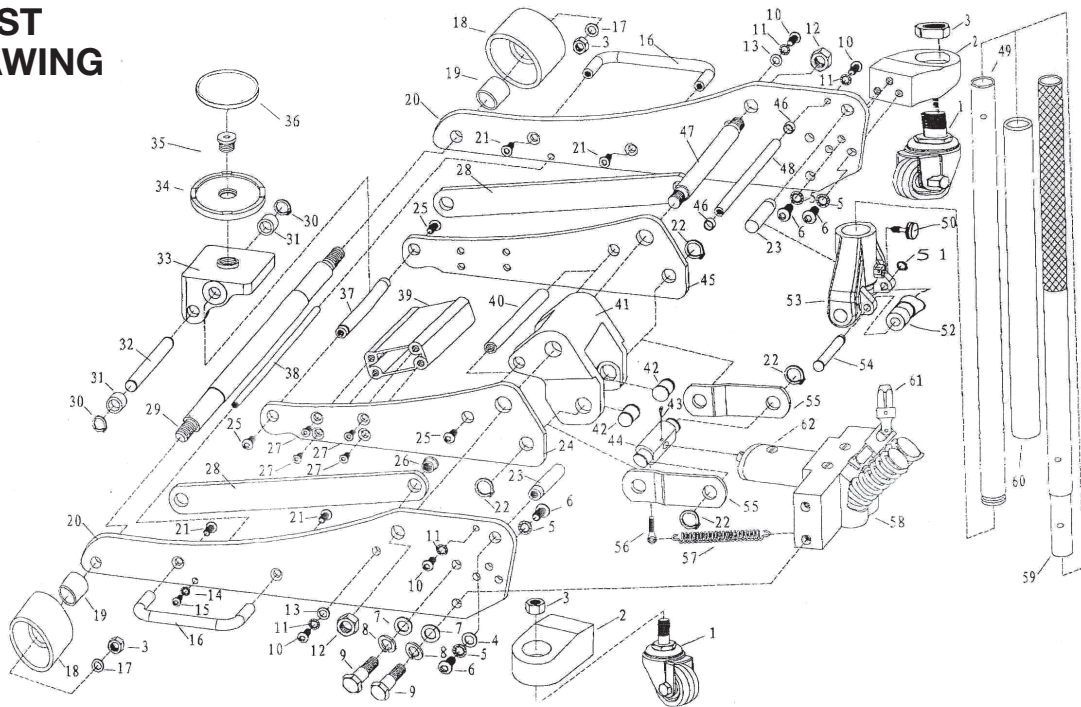
REGULAR MAINTENANCE

• **MONTHLY or as necessary (depending on usage)**

1. Using a grease gun, add grease to grease fitting in the lift arm pivot shaft.
(Use a multi-purpose NLGI type grease only.)
2. Lubricate all linkages and pivot points.
(Use white lithium spray grease only.)
3. Remove handle; lubricate handle receptacle and handle end.
(Use white lithium spray grease only.)
4. Lubricate both rear casters, bearing and both front wheels.
(Use white lithium spray grease only.)
5. Tighten all accessible hardware.



PARTS LIST AND DRAWING



REF NO.	PART NO.	DESCRIPTION	QTY
1	RS660201	Rear Caster (incl. #3)	2
2		Rear Caster Bracket	2
3	RS660203	Locking Nut M12	4
4		Washer M10	2
5		Tooth Washer M10	8
6		Bolt M10 x 25	8
7		Washer M14	4
8		Spring Washer M14	4
9		Bolt	4
10		Bolt M8 x 20	4
11		Tooth Washer M8	4
12		Locking Nut M18	2
13		Washer M8	2
14		Tooth Washer M6	2
15		Bolt M6 x 20	2
16	RS660216	Handle	2
17		Washer (included with #18)	2
18	RS660218	Front Wheel (includes 3, 17, 19)	2
19		Bushing (included with #18)	2
20		Side Plate	2
21	RS660221	Bolt M8 x 25	4
22		Washer M19	4
23		Yoke axle	2
24		Lift Arm Left Side Plate	1
25		Bolt M10 x 16	4
26		Radius Linkage Axle Bolt	2
27		Bolt M8 x 22	8
28		Radius Linkage	2
29		Front Wheel Axle	1
30		Retaining Ring 16	2
31		Link Rod Spacer	2
32		Radius Linkage Axle	1

REF NO.	PART NO.	DESCRIPTION	QTY
33		Saddle Base	1
34	RS660234	Saddle	1
35		Saddle Bolt	1
36	RS660236	Rubber Saddle Pad (Sunex)	1
37		Saddle Base Axle	1
38		Rod	1
39		Lift Arm Core	1
40		Axle, Lift Arm Mounting Plate	1
41		Lift Arm Mounting Plate	1
42		Linkage Pin	2
43		Pin 4 x 40	1
44		Linkage Block	1
45		Lift Arm Right Side Plate	1
46		Rubber Guard	2
47		Lift Arm Axle	1
48		Rod	1
49	RS660249	Lower Handle Section	1
50	RS660250	Handle Set Screw	1
51		Retaining Ring 12 (included w/#53)	1
52		Pump Roller (included w/#53)	1
53	RS660253	Handle Yoke (includes #51-54)	1
54		Pump Roller Axle (included w/ #53)	1
55		Linkage	2
56		Bolt M6 x 25	2
57		Lift Arm Return Spring	2
58	RS660258	Power Unit Assembly	1
	RS660258SK	Seal Kit for Power Unit	
59	RS660259	Upper Handle Section	1
60	RS660260	Handle Bumper	1
61	RS660261	Release Assembly	1
62		Reservoir Fill Plug	1
63	RS6602ASJLK	Product Label Kit (not shown)	1

MANUAL DE OPERACIÓN

CONTENIDO:

Página	7	Especificaciones
	8	Información de advertencia
	9	Ensamble, operación y mantenimiento de seguridad
	10	Diagnóstico de averías
	11	Mantenimiento
	12	Información de garantía



ESPECIFICACIONES

Capacidad	2 TON Maximum
Altura mínima.....	3-1/2"
Altura máxima.....	20"
Longitud del chasis.....	26-1/2"
Anchura global	13"
Longitud del mango	50"
Diámetro de la silla.....	4-9/16"
Peso de embarque	50 Lbs.

INFORMACIÓN DE ADVERTENCIA



Este símbolo indica una alerta de seguridad y se usa para advertir sobre peligro de accidentes personales. Observe toda la información de seguridad que sigue a este símbolo para evitar la posibilidad de que ocurran lesiones o muerte.

⚠ ADVERTENCIA

ADVERTENCIA: Indica una situación peligrosa que si no se evita, puede provocar la muerte o lesiones graves.



IMPORTANTE: LEA ESTAS INSTRUCCIONES ANTES DE USAR EL DISPOSITIVO

ANTES DE USAR ESTE DISPOSITIVO, LEA ESTE MANUAL DETENIDAMENTE. PROCURE ENTENDER SUS PROCEDIMIENTOS OPERATIVOS, ADVERTENCIAS DE SEGURIDAD Y FORMA DE MANTENIMIENTO.

El propietario es responsable de asegurarse de que todo el personal lea este manual antes de usar el dispositivo. Asimismo, es responsabilidad del propietario mantener este manual en buenas condiciones en una ubicación conveniente para su consulta. Si las etiquetas del manual o producto son ilegibles o no están en su lugar, deberá ponerse en contacto con Sunex para obtenerlas gratis. El comprador/propietario o una persona designada deberá leer y comentar el producto y las advertencias de seguridad en la lengua materna del operario que no hable inglés fluido, a fin de asegurarse de que comprende el contenido.

NATURALEZA DE LAS SITUACIONES DE RIESGO

⚠ ADVERTENCIA

El uso de dispositivos de elevación de automotores se halla sujeto a ciertos riesgos que no se pueden prever por medios mecánicos, sino por la información, la diligencia y el sentido común. Por lo tanto, es esencial que el uso del dispositivo quede en manos de los propietarios y de personal que sea cuidadoso, competente, capacitado y habilitado para realizar una operación segura. Algunos ejemplos de peligros son dejar caer, inclinar o resbalar las cargas, principalmente como consecuencia de una sujeción incorrecta, sobrecarga, posición no centrada, uso en superficies no niveladas o firmes, así como usar el dispositivo con un fin para el que no está diseñado.

FORMAS DE EVITAR LAS SITUACIONES DE RIESGO

⚠ ADVERTENCIA

- Lea, estudie, comprenda y observe todas las instrucciones antes de operar este dispositivo.
- Verifique el gato antes de usarlo. No lo use si tiene roturas, alteraciones, fugas de líquido hidráulico o está en malas condiciones, como tampoco si presenta inestabilidad debido a piezas metálicas o partes desajustadas o faltantes. Tome las medidas de corrección apropiadas antes de usarlo.
- Utilice el dispositivo de elevación únicamente en las áreas del vehículo especificadas por su fabricante.
- Use protección para los ojos que cumpla con las normas ANSI Z87.1 y OSHA.
- No use el gato para elevar pesos superiores a su capacidad.
- Este dispositivo se debe utilizar únicamente para levantar cargas. No bien haya elevado la carga, sujete el vehículo con torres que tengan la capacidad para sostenerlo antes de comenzar a trabajar.
- Use el gato únicamente en superficies niveladas firmes en las que no haya obstáculos, de modo que el dispositivo pueda posicionarse durante las operaciones de elevación y descenso.
- Centre la carga en el asiento. Asegúrese de que el armado del dispositivo sea estable antes de comenzar a trabajar.
- No mueva ni empuje el vehículo sobre el gato.
- No utilice ningún tipo de adaptador ni extensión entre el asiento del gato y la carga.
- No use adaptadores a menos que Sunex los haya aprobado o suministrado.
- Baje el gato siempre despacio y con cuidado.
- Este producto contiene una o más sustancias químicas consideradas por el Estado de California como causantes de cáncer, de malformaciones congénitas u otros daños en el sistema reproductivo. *Lávese bien las manos después de manipular el producto.*
- No cumplir con estas indicaciones puede provocar lesiones graves o peligro de muerte, así como daños materiales.

CONSECUENCIAS DE NO PREVENIR LAS SITUACIONES DE RIESGO

⚠ ADVERTENCIA

No leer, comprender u observar todo el contenido de este manual en relación con sus INSTRUCCIONES DE USO, ADVERTENCIAS DE SEGURIDAD y FORMA DE MANTENIMIENTO, así como desatender las FORMAS DE EVITAR LAS SITUACIONES DE RIESGO, puede provocar accidentes que tengan como consecuencia lesiones graves, peligro de muerte o daños materiales.

MANUAL DE OPERACIÓN

MONTAJE

CONSULTE POR FAVOR EL DIBUJO DE VISTA EN DETALLE EN ESTE MANUAL PARA IDENTIFICAR LAS PARTES.

1. Oprima el botón de resorte al fondo de la mitad superior del mango, número de referencia (59) e insértelo en la mitad inferior del mango, número de referencia (49), hasta que el botón de resorte se encaje en el agujero en la mitad inferior del mango.
2. Extraiga el tornillo de sujeción del mango, número de referencia (50) de la abrazadera del mango, núm. de ref. (53). Instale el mango ensamblado en la abrazadera del mango, número de referencia (53), asegurándose que el fondo del mango se encaje con la junta en U de la válvula de liberación, número de referencia (61).
3. Instale tornillo de sujeción del mango, número de referencia (50), en la abrazadera del mango, número de referencia (53) y apriete el tornillo para sujetar el mango en la abrazadera.
4. Se puede atrapar aire en el sistema hidráulico durante el envío y la maniobra. El aire atrapado afectará el rendimiento de bombeo del gato. Si lo mismo llegara a suceder, siga el procedimiento de purga de aire a continuación:
 - a) Quite el tapón de rellenado del recipiente (62).
 - b) Con la silla (34) en su posición baja, mire hacia adentro del agujero del tornillo del rellenado de aceite. Usted debe alcanzar a ver la parte superior del cilindro de presión de la unidad de potencia. El nivel recomendado de aceite hidráulico no debe estar más alto que la parte superior del cilindro. Corrija el nivel del líquido si no está a la altura adecuada, rellenando con el aceite hidráulico mencionado en la sección de MANTENIMIENTO PREVENTIVO a continuación.
 - c) Bombeo el gato contra una carga que sea al menos de 500 lbs. (225 Kgs). Después de elevar la carga, gire el mango de la bomba ligeramente en una rotación en el contrasentido de las agujas del reloj con el fin de bajar la carga muy lentamente. Durante la bajada de la silla, bombee el mango rápidamente 5 ó 6 recorridos incrementales completos de la bomba. Después de bombear, baje la silla hasta su posición de reposo total.
 - d) Instale el tapón de rellenado del recipiente (62). Gire el mango en una rotación en el sentido de las agujas del reloj, hasta que esté apretado, y bombee el brazo de levantamiento hasta su máxima altura. Si se ha mejorado la condición de bombeo, repita los pasos "a" al "d" hasta que se haya purgado todo el aire del sistema.

INSTRUCCIONES DE USO



Este símbolo indica una alerta de seguridad y se utiliza en la parte de este manual que versa sobre las INSTRUCCIONES DE USO, con el fin de advertir sobre los peligros de accidentes personales. Observe todas las instrucciones para evitar lesiones o peligros de muerte. **IMPORTANTE:** antes de comenzar a elevar un vehículo, consulte su manual de servicio para conocer las superficies de elevación recomendadas.

FORMA DE USO:

1. **Para levantar la carga:** Gire el mango en el sentido de las agujas del reloj hasta que esté apretado. Coloque el gato debajo de la carga. Proceda a bombear el mango para levantar el brazo de levantamiento hasta el nivel de la carga. En la medida que la silla en el extremo del brazo de levantamiento se acerque a la carga, posicione el gato de nuevo, con el fin de que la silla tenga contacto firme con la carga y la carga esté centrada sobre la silla. Asegúrese que la silla esté posicionada correctamente. Levante la carga hasta la altura de trabajo deseada. Coloque los soportes del gato de la capacidad adecuada en los puntos de soporte recomendados por el fabricante, los que brindan un soporte estable para el vehículo levantado. **¡NO SE ARRASTRE DEBAJO DEL VEHÍCULO MIENTRAS QUE SE ESTÉ LEVANTANDO EL VEHÍCULO O AL MOMENTO DE QUITAR LOS SOPORTES DEL GATO!** Una vez que los soportes del gato estén posicionados, gire el mango **MUY LENTAMENTE**. Baje la carga hasta que se recargue sobre los soportes del gato. Inspeccione la relación entre los soportes de gato y la carga para asegurar que el montaje esté estable y seguro. Si el montaje no está seguro ni estable, siga los pasos anteriores hasta que esté corregido.
2. **Para bajar la carga:** Siga los procedimientos mencionados en la sección de "para levantar la carga" de las INSTRUCCIONES DE OPERACIÓN para levantar la carga fuera de los soportes del gato. Una vez que la carga sea liberada de los soportes del gato, quite los soportes de debajo de la carga y colóquelos lejos del área de trabajo. Gire el mango muy lentamente en el contrasentido de las agujas del reloj hasta que la carga esté completamente bajada al piso. Una vez que la silla de levantamiento del gato se haya despejado de la carga, quite el gato de debajo de la carga.
PRECAUCIÓN: Mantenga las manos y los pies lejos del eje de articulación del gato.

MANTENIMIENTO DE SEGURIDAD



Este símbolo indica una alerta de seguridad y se utiliza en la parte de este manual que versa sobre el MANTENIMIENTO DE SEGURIDAD, con el fin de advertir sobre los peligros de accidentes personales. Observe todas las instrucciones para evitar lesiones o peligros de muerte.

1. Siempre guarde el gato en un área protegida, en donde no quede expuesto a las condiciones climáticas, gases corrosivos, sustancias abrasivas u otros materiales perjudiciales. Antes de usar, compruebe que el gato no contenga restos de agua, nieve, arena o arcilla.
2. El gato se debe lubricar en forma periódica a fin de prevenir el desgaste prematuro de sus partes. Se debe aplicar grasa de uso general en todas las articulaciones, las ruedas pivotantes y del eje delantero, el brazo elevador, los pernos pivotantes de la base de la palanca, el sistema de seguridad y las demás superficies de apoyo. Las partes desgastadas resultando de la lubricación inadecuada o faltante no serán elegibles para consideraciones de garantía. Ver la página 13 por las instrucciones de lubricación.
3. No debería ser necesario recargar ni llenar el receptáculo del líquido hidráulico, salvo si existen fugas. En caso de fugas, un técnico calificado en reparación de sistemas hidráulicos que conozca el funcionamiento de este dispositivo deberá realizar su reparación inmediata en un lugar libre de suciedad.

MANUAL DE OPERACIÓN

IMPORTANTE: A fin de prevenir daños en las juntas herméticas y fallas en el dispositivo, no use alcohol, líquido de frenos hidráulicos ni aceite de transmisión en el gato. Use aceite hidráulico AW ISO 32 de Chevron o su equivalente Unocal Unax AW 150.

- El propietario del gato es responsable de mantener sus etiquetas en buen estado de conservación. Use una solución jabonosa suave para lavar el exterior del gato, sin aplicarla a ninguna de las partes del sistema hidráulico.
- Verifique el gato antes de usarlo. No use el gato si alguna de sus partes está quebrada, rota, torcida o dañada, ni cuando el sistema hidráulico tenga fugas. No use el gato si presenta alteraciones o es inestable debido a piezas metálicas o partes desajustadas o faltantes. Tome las medidas de corrección apropiadas antes de usar el gato otra vez.
- No repare el sistema hidráulico a menos que sea un técnico calificado que conozca el funcionamiento de este dispositivo.

INSPECCIONE

Se debe realizar una inspección visual previo cada uso del gato, revisando por fugas en el líquido hidráulico y por partes dañadas, flojas o faltantes. Cada gato debe ser inspeccionado inmediatamente por parte de un centro de reparación del fabricante, si éste está sujeto a un choque o a una carga anormal. Cualquier gato que aparenta ser dañado de cualquier forma, que se encuentre ser desgastado o que opera de forma anormal, DEBE DEJARSE DE USAR hasta que se realicen las reparaciones necesarias por parte de un centro de reparación autorizado del fabricante. Se recomienda que se haga una inspección anual del gato por parte de un centro de reparación autorizado del fabricante y que cualquier parte, calcomanía o etiqueta de advertencia defectuosa sea repuesta con partes especificadas del fabricante. Una lista de los centros de reparación autorizados está disponible con el fabricante.

ALMACENAMIENTO ADECUADO

Se recomienda que el gato sea almacenado en un lugar seco y que todas las ruedas toquen el piso sobre una superficie relativamente plana.

DIAGNÓSTICO DE AVERÍAS

Importante: Los gatos de servicio son dispositivos autónomos usados para el levantamiento, pero no para el sostenimiento, de una carga vehicular parcial. De acuerdo con la norma de ASME-PALD, de la prueba de sostenimiento de carga: "Una carga no menos que la capacidad nominal ...no deberá más de 1/8" (3.18mm) en el primer minuto, ni un total de .1875" (4.76mm) en 10 minutos." Bajar dentro de este rango se considera como una operación normal y NO es un defecto garantizable.

PROBLEMA	ACCIÓN
1.El equipo no levantará la carga.	Expulsa el aire del sistema hidráulico al seguir el procedimiento bajo LAS INSTRUCCIONES DE OPERACIÓN
2. El equipo no sostendrá la carga o se siente	Expulsa el aire del sistema hidráulico como indicado anteriormente. esponjoso bajo la carga.
3. El equipo no levantará la carga hasta la altura normal.	Expulsa el aire del sistema hidráulico como indicado anteriormente. Revisa que los niveles de aceite no estén ni altos ni bajos.
4. El mango tiende a levantarse mientras el equipo.	Sube y baja el mango rápidamente varias veces para empujar sostiene una carga. el aceite más allá de las válvulas de cojinete en el aparato de capacidad eléctrica.
5. El equipo aún no funciona.	Comuníquese con un centro de servicio hidráulico autorizado de Sunex

RESPONSABILIDAD DEL PROPIETARIO/USUARIO

El propietario y/o usuario debe contar con una comprensión de las instrucciones y advertencias de operación del fabricante antes de usar este gato. El personal involucrado en el uso y operación del equipo debe ser cuidadoso, competente, capacitado o calificado en la operación segura del equipo y su uso adecuado al momento de dar mantenimiento a los vehículos motores y sus componentes. La información de advertencia debe ser enfatizada y comprendida. Si el operador no domina el idioma inglés, las instrucciones y advertencia del fabricante le deben ser leídas y discutidas con el operador en su idioma nativo por parte del comprador/propietario, asegurándose que el operador comprenda su contenido. El propietario y/o usuario debe estudiar y mantener las instrucciones del fabricante para su referencia futura. El propietario y/o usuario será responsable por mantener legibles e intactos las etiquetas de advertencia y los manuales de instrucción. Las etiquetas y literatura de repuesto están disponibles con el fabricante.

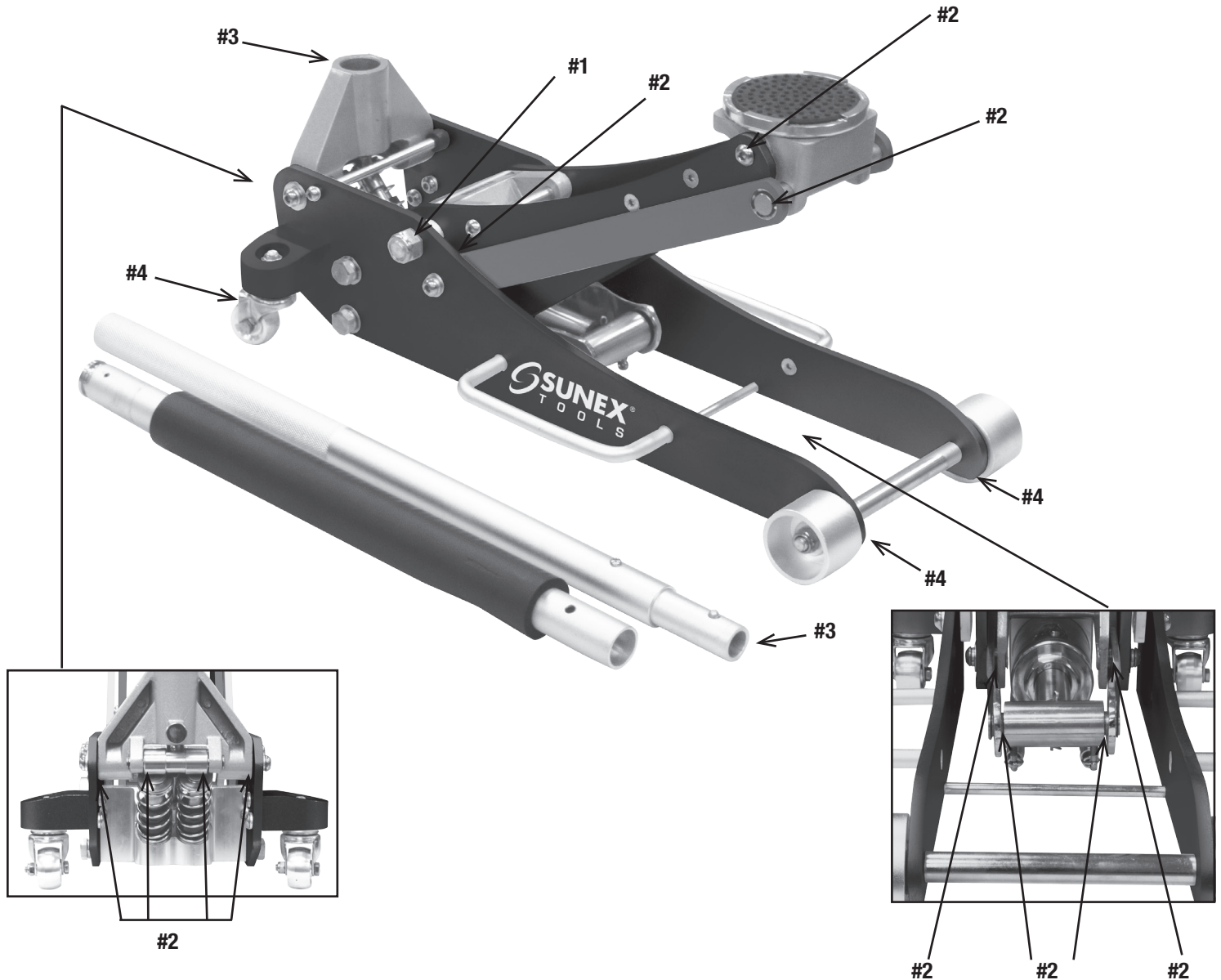
GUÍA DE MANTENIMIENTO DEL GATO HIDRÁULICO

IMPORTANTE: Los gatos de servicio están diseñados para propósitos de levantamiento solamente; siempre sostenga la carga elevada con la base de gato.

MANTENIMIENTO REGULAR

• **Mensualmente o según sea necesario (dependiendo del uso)**

1. Usando una pistola engrasadora, agrega grasa a la graseira en el eje de pivote del brazo de levantamiento.
(Use una grasa multi-uso tipo NLGI solamente.)
2. Lubrique todas las vinculaciones y puntos de pivote.
(Use grasa blanca de litio para atomización solamente.)
3. Quite el mango; lubrique el recipiente del mango y la punta del mango.
(Use grasa blanca de litio para atomización solamente.)
4. Lubrique ambas rodajas posteriores, cojinetes, y ambas ruedas delanteras.
(Use grasa blanca de litio para atomización solamente.)
5. Apriete toda la ferretería accesible.





MODELO: 6602ASJ
CAPACIDAD: 2 TONELADAS
GATO DE SERVICIO DE ALUMINIO

GARANTÍA LIMITADA

SUNEX INTERNATIONAL, INC., LE GARANTIZA A SUS CLIENTES QUE LAS HERRAMIENTAS Y PRODUCTOS CON LA MARCA DE LA EMPRESA SUNEX TOOLS NO CONTIENEN DEFECTOS EN SU MANO DE OBRA NI MATERIAS PRIMAS.

Sunex International, Inc., reparará o sustituirá sus productos con la marca Sunex Tools® que reflejen fallas en el funcionamiento satisfactorio debido a que la mano de obra o las materias primas estén defectuosas, tomando como base las cláusulas y condiciones de los planes de garantía descritos a continuación y asignados a ese producto específico. Este producto tiene una garantía de UN AÑO. Durante este periodo de garantía, Sunex Tools reparará o repondrá, a nuestra opción, cualquier parte o unidad la cual demuestra ser defectuosa en cuanto a material o mano de obra.

Otra importante información de la garantía...

Esta garantía no cubre daños a equipo o herramientas debido a modificaciones, abuso, mal uso o daños y no cubre ninguna reparación o sustitución hecha por ninguna persona que no sea Sunex Tools o alguno de sus centros de servicio de garantía autorizados. La obligación antes mencionada queda bajo la responsabilidad exclusiva de Sunex Tools® según se menciona o de cualquier garantía implícita y bajo ninguna circunstancia quedará bajo su responsabilidad cualquier garantía implícita ya bajo ninguna circunstancia quedará bajo su responsabilidad cualquier daño incidental o consecuencial.

NOTA: Algunos estados no permiten la exclusión ni limitación de daños. Devuelva el equipo o partes a un centro de servicio autorizado, con el flete prepago. Asegúrese de incluir su nombre y dirección, comprobación de la fecha de compra, y la descripción del defecto sospechado. Si usted tiene alguna pregunta acerca del servicio de garantía, escriba por favor a Sunex Tools. Esta garantía le brinda derechos legales específicos y usted puede contar con derechos adicionales los cuales varían de estado a estado. Están disponibles equipos de reparación y partes de sustitución para muchos de los productos de Sunex Tools, independientemente del hecho de que el producto aún esté cubierto o no por un plan de garantía

DIRECCIÓN A EMBARCARSE:

Sunex Tools
315 Hawkins Rd. Travelers Rest,
South Carolina 29690

DIRECCIÓN DE CORREOS:

Sunex Tools
P.O. Box 1233 Travelers Rest,
South Carolina 29690

MANUEL D'OPERATION

CONTENU:

Page	13	Spécifications
	14	Information d'avertissement
	15	Installation, opération et entretien préventif
	16	Dépannage
	17	Entretien
	18	Information de garantie et entretien



SPÉCIFICATIONS

Capacité.....	2 TON Maximum
Hauteur minimum.....	3-1/2 po
Hauteur maximum.....	20 po
Longueur du châssis.....	26 1/2 po
Largeur totale.....	13 po
Longueur de la poignée.....	50 po
Diamètre de selle.....	4-9/16 po
Poids.....	50 Lbs.

AVERTISSEMENTS



Ce symbole indique un danger potentiel. Il est utilisé pour avertir l'utilisateur des risques potentiels de blessures corporelles. Prière de respecter toutes les consignes de sécurité qui suivent ce symbole afin d'éviter les blessures ou la mort potentielles.

AVERTISSEMENT

AVERTISSEMENT : Ce symbole indique une situation dangereuse qui pourrait causer la mort ou des blessures graves si elle n'est pas évitée.



IMPORTANT : LIRE CES CONSIGNES AVANT L'UTILISATION.

PRIÈRE DE LIRE CES CONSIGNES ATTENTIVEMENT ET DE S'ASSURER DE BIEN COMPRENDRE LES PROCÉDURES D'UTILISATION, LES AVERTISSEMENTS DE SÉCURITÉ ET LES BESOINS EN MATIÈRE D'ENTRETIEN DE L'OUTIL AVANT DE L'UTILISER.

Le propriétaire doit s'assurer que tous les employés lisent ce manuel avant d'utiliser l'outil. Le propriétaire de l'outil doit aussi maintenir ce manuel en bon état et le ranger dans un endroit facilement accessible à tous ceux qui doivent le lire. Si le manuel ou les étiquettes de l'outil sont perdus ou illisibles, communiquer avec Sunex pour obtenir un remplacement. Si l'utilisateur ne parle pas couramment le français, les consignes de sécurité et le mode d'emploi de l'outil devront lui être lues à haute voix et être discutées avec l'utilisateur, dans sa langue maternelle, par le propriétaire/acheteur ou une personne désignée, afin d'assurer que l'utilisateur en comprenne les bien le contenu.

LE TYPE DE SITUATIONS DANGEREUSES

AVERTISSEMENT

L'utilisation de dispositifs de levage portatifs pour automobiles expose l'utilisateur à certains dangers qui ne peuvent pas être évités par des moyens mécaniques, mais seulement en faisant preuve d'intelligence, d'attention et de bon sens. Il est donc essentiel que les propriétaires et les employés qui utiliseront ce dispositif soient prudents, compétents, qualifiés et formés à l'utilisation sécuritaire de l'équipement. Des exemples de dangers comprennent le renversement, le glissement ou la chute soudaine de la charge. Ces dangers sont principalement imputables à une charge mal répartie, une utilisation sur une surface meuble ou inclinée, ou une utilisation à des fins autres que celles pour lesquelles le dispositif a été conçu.

MÉTHODES POUR ÉVITER LES SITUATIONS DANGEREUSES

AVERTISSEMENT

- Lire, comprendre et appliquer toutes les consignes avant d'utiliser ce dispositif.
- Inspecter le cric avant chaque utilisation. Ne pas utiliser le cric s'il est endommagé, modifié, en mauvais état, instable en raison de pièces ou de quincaillerie manquantes ou lâches ou s'il y a fuite de fluide hydraulique. Effectuer les réparations ou les réglages nécessaires avant l'utilisation.
- Placer le cric uniquement aux points spécifiés par le constructeur du véhicule.
- Porter des lunettes de sécurité qui répondent aux normes de l'OSHA et aux exigences de la norme ANSI Z87.1.
- Ne pas dépasser la capacité nominale du cric.
- Ce dispositif sert uniquement au levage. Immédiatement après avoir levé le véhicule, placer les chandelles appropriées avant de travailler sur le véhicule.
- Utiliser le cric seulement sur une surface de niveau et solide. Celle-ci doit être exempte d'obstructions afin que le cric puisse se repositionner durant le levage et la descente.
- Centrer la charge sur la selle. S'assurer de la stabilité de l'installation avant de travailler sur le véhicule.
- Ne pas déplacer le véhicule lorsqu'il est supporté par le cric.
- Ne pas utiliser d'adaptateurs ou de rallonges de selle entre celle-ci et la charge.
- Ne pas utiliser d'adaptateurs à moins qu'ils ne soient approuvés ou fournis par Sunex.
- Toujours abaisser le cric lentement et prudemment.
- Este producto contiene una o más sustancias químicas consideradas por el Estado de California como causantes de cáncer, de malformaciones congénitas u otros daños en el sistema reproductivo. *Lávase bien las manos después de manipular el producto.*
- L'inobservance de ces méthodes peut causer des dommages matériels, des blessures corporelles graves ou mortelles, ou les deux.

CONSÉQUENCES EN CAS DE SITUATIONS DANGEREUSES

AVERTISSEMENT

L'inobservance des CONSIGNES D'UTILISATION, des MISES EN GARDE, des CONSIGNES D'ENTRETIEN ainsi que des MÉTHODES POUR ÉVITER LES SITUATIONS DANGEREUSES peut causer des accidents ayant pour conséquences des dommages matériels ou des blessures corporelles graves ou mortelles.

MANUEL DU PROPRIÉTAIRE

INSTALLATION

VEUILLEZ CONSULTER LA VUE ÉCLATÉE POUR IDENTIFIER LES PIÈCES.

1. Appuyez sur le bouton † ressort au bas de la partie supérieure numéro de référence (59) du manche et insérez celle-ci dans la partie inférieure numéro de référence (49) du manche jusqu'à ce que le bouton † ressort s'engage dans le trou de la partie inférieure du manche.
2. Retirez la vis de l'ensemble-manche numéro de référence (50) de l'étrier du manche numéro de référence (53). Installez le manche assemblé dans l'étrier du manche numéro de référence (53) en vous assurant que la partie inférieure du manche s'engage bien dans le joint universel de la valve de desserrement numéro de référence (61).
3. Installez la vis numéro de référence (50) de l'ensemble-manche dans l'étrier du manche numéro de référence (53) et resserrez-la pour maintenir le manche dans l'étrier.
4. De l'air peut s'accumuler dans un système hydraulique lors de la manutention et l'expédition. L'air emprisonné risque d'affecter la performance de pompage du cric. Dans ce cas, suivez les instructions suivantes pour retirer l'air :
 - a) Retirez le bouchon de remplissage du réservoir (62).
 - b) Avec la semelle (34) en position basse (down), regardez † l'intérieur du trou de la vis de remplissage d'huile. Vous devriez être capable de voir le dessus du cylindre de compression du vérin. Le niveau de liquide hydraulique recommandé ne devrait pas dépasser le dessus du cylindre. Corrigez le niveau du liquide s'il n'est pas † la hauteur recommandée mentionnée dans la section d'ENTRETIEN PR...VENTIF ci dessous.
 - c) Pompez le cric avec une charge d'au moins 500 lb (225 kg). Une fois la charge levée, tournez légèrement le manche de pompe dans le sens inverse des aiguilles d'une montre de façon † abaisser la charge très doucement. Pendant que la semelle s'abaisse, pompez rapidement le manche de 5 ou 6 coups de pompe progressifs. Après le pompage, abaissez la semelle † sa position de repos complet.
 - d) Installez le bouchon de remplissage du réservoir (62). Tournez le manche dans le sens des aiguilles d'une montre jusqu'à ce qu'il soit bien serré et pompez le bras de levage † la hauteur maximale. Si l'état du pompage s'est amélioré, répétez les étapes « a » † « d » jusqu'à ce que tout l'air ait été purgé du système.

MODE D'EMPLOI



Ce symbole sert à identifier les risques de blessures dans la rubrique MODE D'EMPLOI. Suivre les consignes afin d'éviter les risques de blessure ou de mort.

IMPORTANT: Avant d'effectuer une tentative de levage d'un véhicule quelconque, consulter le manuel du propriétaire du véhicule pour en connaître les points d'appuis recommandés par le constructeur.

MODE D'EMPLOI :

1. Pour soulever la charge : Tournez la poignée dans le sens des aiguilles d'une montre jusqu'à ce qu'elle soit bien serrée. Placez le cric sous la charge. Commencez à pomper la poignée afin de soulever le bras de levage jusqu'à la charge. Alors que la selle à l'extrémité du bras de levage s'approche de la charge, replacez le cric afin que la selle entre fermement en contact avec la charge et afin que la charge soit centrée sur la selle. Assurez-vous que la selle est correctement positionnée. Soulevez la charge à la hauteur de travail désirée. Placez les chandelles de la capacité appropriée aux emplacements de soutien recommandés par le fabricant du véhicule afin de fournir un soutien stable pour le véhicule soulevé. **NE RAMPEZ PAS SOUS LE VÉHICULE LORS DU SOULÈVEMENT DE CELUI-CI OU NE RETIREZ PAS LES CHANDELLES!** Une fois que les chandelles sont placées de manière appropriée, tournez la poignée TRÈS LENTEMENT. Abaissez la charge afin qu'ils reposent sur les chandelles. Inspectez le rapport entre les chandelles et la charge afin de vous assurer que l'installation est stable et sécuritaire. Si l'installation n'est pas stable ou sécuritaire, suivez les étapes précédentes jusqu'à ce que la situation soit corrigée.
2. Pour abaisser la charge : Suivez les procédures mentionnées dans la section « Pour soulever la charge » des INSTRUCTIONS D'UTILISATION afin de soulever la charge hors des chandelles. Une fois que la charge a libéré les chandelles, retirez les chandelles de dessous la charge et loin de la zone de manoeuvre. Tournez la poignée très lentement dans le sens contraire des aiguilles d'une montre jusqu'à ce que la charge soit complètement abaissée au sol. Une fois que la selle de levage du cric a libéré la charge, retirez le cric du dessous de la charge.

ATTENTION : Gardez les mains et les pieds hors de portée du mécanisme de charnière du cric.

ENTRETIEN PRÉVENTIF



Ce symbole sert à identifier les risques de blessures dans la rubrique ENTRETIEN PRÉVENTIF.

Suivre les consignes afin d'éviter les risques de blessure ou de mort.

1. Toujours ranger le cric dans un endroit bien protégé des intempéries, des vapeurs corrosives, de la poussière abrasive ou de tout autre élément dommageable. La neige, l'eau, le sable et la poussière doivent être nettoyés avant d'utiliser le cric.
2. Le cric doit être lubrifié périodiquement afin d'éviter l'usure prématurée des pièces. Une graisse à usage général doit être appliquée sur tous les embouts graisseurs, les roulettes, l'essieu avant, le bras de levage, l'axe d'articulation du support du manche, le mécanisme de dégagement et toutes les surfaces portantes. Les pièces usées résultant d'une lubrification insatisfaisante ou d'aucune lubrification ne sont pas admissibles à la garantie. Pour des instructions de lubrification, consultez la page 19.
3. Il n'est pas nécessaire de remplir ou de rajouter du fluide hydraulique dans le réservoir, sauf si une fuite externe est détectée. En cas de fuite externe alors que le cric est toujours sous garantie, rapporter le cric dans n'importe quel magasin pour une réparation ou un remplacement sous garantie.

MANUEL DU PROPRIÉTAIRE

IMPORTANT: Afin de ne pas endommager les joints d'étanchéité et entraîner le bris du cric, ne jamais utiliser d'alcool, de liquide pour freins ou d'huile pour transmission dans le cric. Utiliser l'huile de chevron hydraulique AW ISO 32 ou son équivalent Unocal Unax AW 150.

- Il incombe au propriétaire du cric de garder propres et lisibles les étiquettes du cric. Laver les surfaces externes du cric à l'aide d'un savon doux, tout en évitant les pièces hydrauliques mobiles.
- Une inspection visuelle du cric devrait être effectuée avant chaque utilisation. Ne pas utiliser le cric si des pièces présentent des signes de dommages tels que des fissures, des fuites ou des pièces endommagées, déformées ou manquantes. Ne pas utiliser le cric si des pièces sont manquantes, lâches ou ont été modifiées d'une façon quelconque. Effectuer les correctifs nécessaires avant d'utiliser le cric à nouveau.
- Toute modification, réparation, ou les deux, effectuée par une personne non autorisée entraînera l'annulation de la garantie.

VÉRIFICATION

Une vérification visuelle devrait être faite avant chaque utilisation du cric utilitaire, pour s'assurer qu'il n'y ait pas de conditions anormales comme des dommages, pièces manquantes ou desserrées. Chaque cric utilitaire doit être vérifié immédiatement, par un employé d'un centre de service du fabricant, si accidentellement le produit a subi une charge excessive ou un choc. Tout cric utilitaire qui paraît endommagé de quelque façon, qui semble trop usé ou qui fonctionne de manière anormale **DOIT ÊTRE RETIRÉ DU SERVICE**, jusqu'à ce que les réparations nécessaires aient été effectuées à un centre de service reconnu par le fabricant. Il est recommandé qu'une vérification annuelle du cric utilitaire soit effectuée par un employé d'un centre de service reconnu par le fabricant, afin de remplacer toutes pièces défectueuses, autocollants ou étiquettes de mise en garde par des pièces de remplacement spécifiées par le fabricant. Une liste des centres de service reconnus est disponible auprès du fabricant.

Une liste des installations de réparation autorisées est disponible auprès du fabricant.

ENTREPOSAGE ADÉQUAT

Il est conseillé d'entreposer le cric dans un endroit sec; toutes les roues doivent être en contact avec le sol sur une surface relativement rigide.

DÉPANNAGE

Important : Les crics de levage sont des mécanismes autonomes qui servent à soulever des charges et non à soutenir une charge partielle de véhicule. Conformément à normes de l'ASME-PALD, portant sur le test de soutien d'une charge : « Une charge qui ne dépasse pas la capacité nominale...ne s'abaissera pas de plus 1/8 po (3,18 mm) la première minute, et ne s'abaissera pas de plus de 0,1875 po (4,76) au bout de 10 minutes. » Une fuite en-deçà de cette marge est considérée normale et n'est pas considérée comme un vice de fabrication pouvant se réclamer de la garantie.

PROBLÈME	ACTION
1. L'unité ne lèvera pas la charge.	Purger l'air du système hydraulique en suivant la procédure selon la configuration.
2. L'unité ne supportera pas la charge ou est 'spongieuse' sous la charge.	Purger l'air du système hydraulique comme mentionné ci-dessus.
3. L'unité ne lèvera pas à hauteur complète.	Purger l'air du système hydraulique comme mentionné ci-dessus ou vérifier le niveau de l'huile dans le réservoir.
4. La poignée tend à augmenter vers le haut tandis que l'unité est sous la charge.	Pompez la poignée rapidement plusieurs fois de pousser l'huile après des robinets à tournant sphérique dans l'unité de puissance.
5. L'unité ne fonctionne toujours pas.	Veillez communiquer avec le centre de service hydraulique autorisé de Sunex.

RESPONSABILITÉ DU PROPRIÉTAIRE/UTILISATEUR

Le propriétaire et/ou utilisateur doit posséder une compréhension des directives de fonctionnement et des mises en garde du fabricant, avant d'utiliser ce cric utilitaire. Le personnel impliqué dans l'utilisation de cette pièce d'équipement doit être prudent, compétent, bien entraîné et qualifié au fonctionnement sécuritaire et à l'utilisation adéquate de l'équipement, au moment de l'entretien des véhicules et de leurs composantes. On devrait insister particulièrement sur la compréhension des renseignements touchant les mises en garde. Si l'utilisateur ne parle pas couramment l'anglais, les directives du fabricant et les mises en garde devraient être lues et discutées par l'acheteur / propriétaire avec l'utilisateur dans sa langue maternelle, pour s'assurer de la bonne compréhension du contenu par l'utilisateur. Le propriétaire et / ou l'utilisateur doit étudier et conserver les directives du fabricant, pour référence éventuelle. Relativement aux étiquettes de mises en garde et aux manuels de directives, le propriétaire et / ou l'utilisateur est responsable de s'assurer qu'ils soient maintenus lisibles et intacts. Les étiquettes de remplacement et la littérature sont disponibles auprès du fabricant.

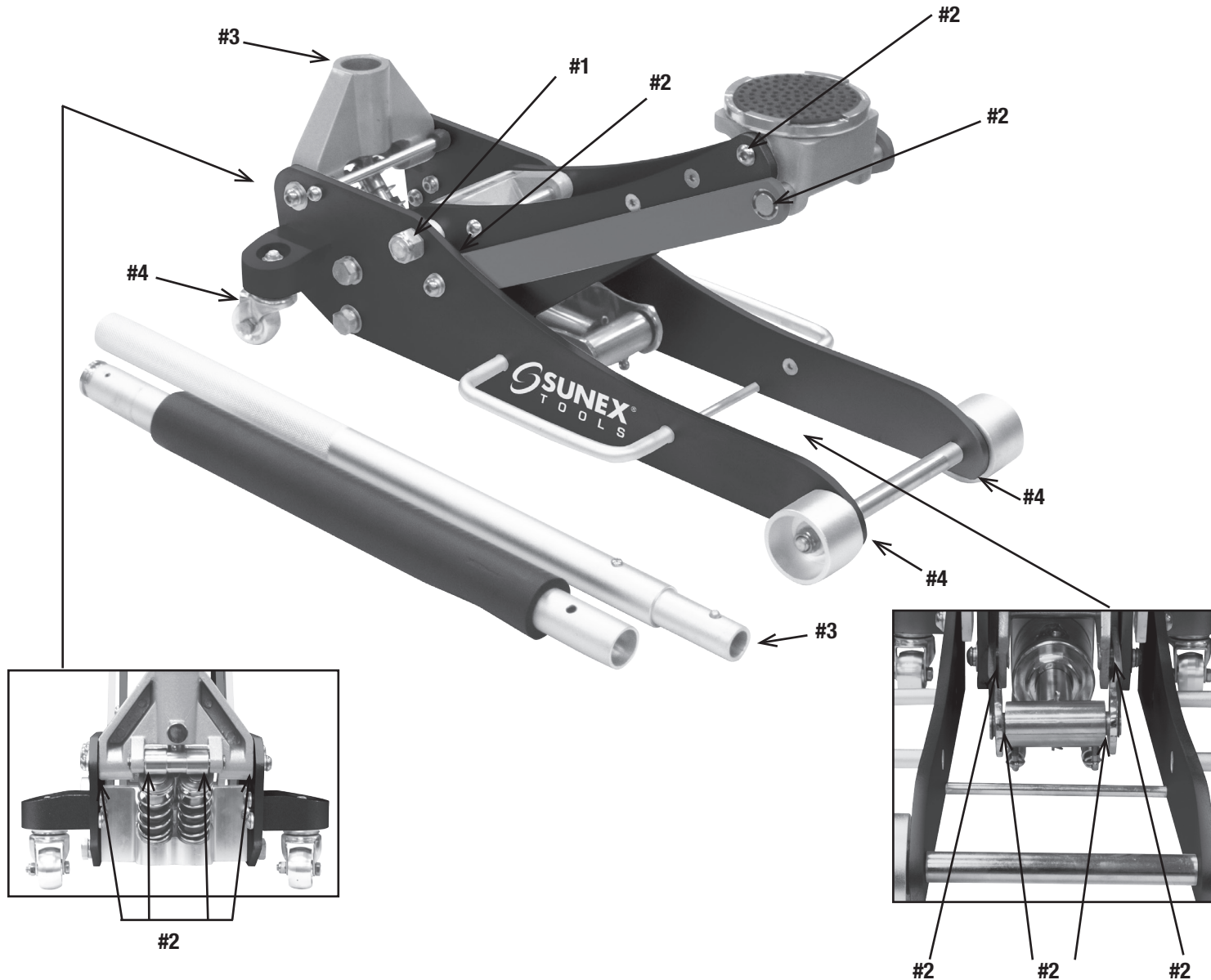
GUIDE D'ENTRETIEN DE CRIC HYDRAULIQUE

IMPORTANT : Les crics de service sont conçus pour le levage seulement; toujours soutenir la charge soulevée à l'aide de support de cric.

ENTRETIEN RÉGULIER

• **Mensuellement ou selon les besoins (selon l'utilisation)**

1. En utilisant un pistolet graisseur, ajoutez de la graisse par l'embout de graissage de graisse dans l'axe de pivot du bras de levage.
(Utilisez seulement un type de graisse à usage multiple NLGI.)
2. Lubrifiez toutes les tringleries et points de pivot.
(Utilisez de la graisse blanche de lithium en jet seulement.)
3. Enlevez la poignée; lubrifiez le réceptacle de la poignée et son extrémité.
(Utilisez de la graisse blanche de lithium en jet seulement.)
4. Lubrifiez les deux roulettes arrière, les roulements à billes et les deux roues avant.
(Utilisez de la graisse blanche de lithium en jet seulement.)
5. Resserrez toute la quincaillerie accessible.



GARANTIE LIMITÉE**SUNEX INTERNATIONAL, INC. GARANTIT À SES CLIENTS QUE LES OUTILS DE MARQUE SUNEX TOOLS SONT EXEMPTS DE DÉFAUTS DE MAIN D'ŒUVRE ET DE MATÉRIAU**

Sunex International, Inc. réparera ou remplacera ses outils de marque Sunex Tools[®] qui ne donnent pas un service satisfaisant à cause d'un défaut de main d'œuvre ou de matériau, selon les termes et conditions décrits ci-dessous dans les plans de garantie correspondant à ce produit spécifique. Ce produit a une garantie de UN AN. Pendant la période de garantie, Sunex Tools[®] réparera ou remplacera, à sa seule discrétion, toute pièce ou tout appareil dont il a été déterminé qu'il comporte un défaut de matériau ou de main d'œuvre.

Autres informations importantes sur la garantie...

Cette garantie ne couvre pas les dommages à de l'équipement ou à des outils modifiés, sujets à des abus ou à une utilisation incorrecte, ou encore endommagés; elle ne couvre pas les réparations ou le remplacement effectué par quiconque autre que Sunex Tools[®] ou ses centres de services de garantie autorisés. L'obligation qui précède constitue la seule responsabilité de Sunex Tools[®] en vertu de cette garantie ou de toute garantie implicite; et en aucun cas Sunex Tools[®] ne pourra être responsable pour des dommages indirects ou consécutifs. Remarque : Certaines juridictions ne permettent pas l'exclusion ou la limitation des dommages indirects ou consécutifs; la limitation ou l'exclusion ci-dessus pourrait donc ne pas s'appliquer à votre cas. Retourner l'équipement ou les pièces à Sunex Tools[®], ou à un centre de service de garantie autorisé, port prépayé. S'assurer d'inclure votre nom, votre adresse, une preuve de la date d'achat et la description de la défaillance présumée. Veuillez adresser par écrit toutes vos questions sur le service de garantie à Sunex Tools[®]. Cette garantie donne à l'acheteur des droits juridiques spécifiques ainsi que certains autres droits qui peuvent varier selon la juridiction. Après échéance de la garantie de remplacement direct d'un an, certaines pièces de service seront disponibles à l'achat par l'entremise des options de services normaux de Sunex Tools[®].

DIRECCIÓN A EMBARCARSE:

Sunex Tools
315 Hawkins Rd.
Travelers Rest, South Carolina 29690

DIRECCIÓN DE CORREOS:

Sunex Tools
P.O. Box 1233
Travelers Rest, South Carolina 29690