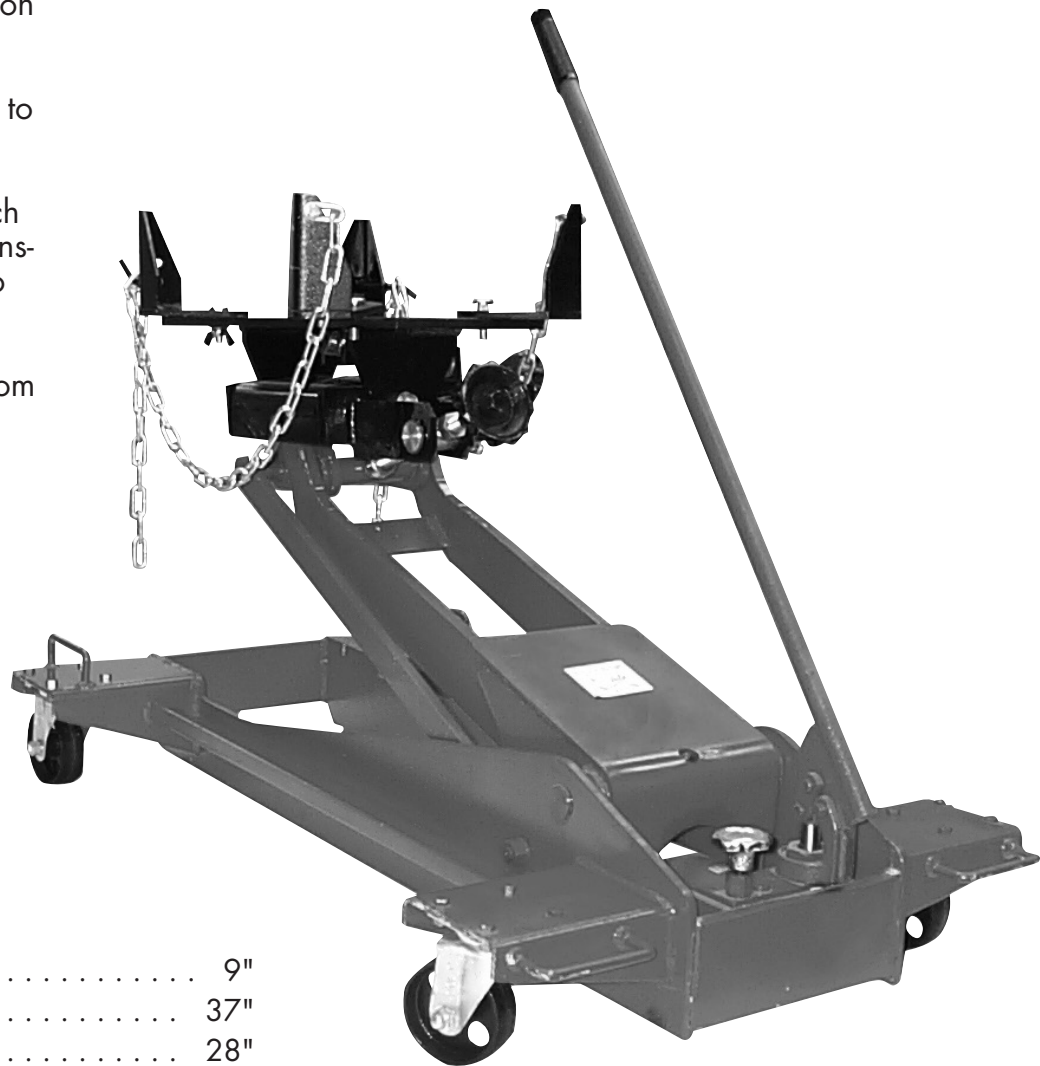


# 7752C

## 1-1/2 Ton Capacity Heavy Duty Transmission Jack

Model 7752C transmission jack is a mobile lifting device having a lift platform assembly suited to retaining an automotive transmission, and other driveline components such as transfer cases and trans-axles, and is designed to support and stabilize the component during its installation or removal from a vehicle.



Low Height . . . . .	9"
Raised Height . . . . .	37"
Hydraulic Lift . . . . .	28"
Saddle Forward Tilt . . . . .	30°
Saddle Backward Tilt . . . . .	15°
Saddle Side Tilt . . . . .	±12°
Base Size . . . . .	44-1/2" x 25-1/2" x 11-3/8"
Shipping Weight . . . . .	300 Lbs.



**SUNEX™**  
T O O L S

P.O. Box 4215 • Greenville, SC 29608

## ASSEMBLY INSTRUCTIONS

Note: This unit comes fully assembled.

### IMPORTANT! BEFORE USE...

Air may become trapped in the hydraulic system during transit. To purge air:

1. Open release valve by turning handle counterclockwise.
2. Pump handle rapidly 4 full strokes. This will expel air that may have entered oil passages during transit.
3. Close release valve by rotating handle clockwise and pump handle.
4. If lift arm raises, jack is ready for use. If not, repeat this procedure.

## INSPECTION

Visual inspection should be made before each use of the transmission jack, checking for leaking hydraulic fluid and damaged, loose or missing parts. Each jack must be inspected by a manufacturer's repair facility immediately, if accidentally subjected to an abnormal load or shock. Any jack which appears to be damaged in any way, is found to be badly worn, or operates abnormally **MUST BE REMOVED FROM SERVICE** until necessary repairs are made by a manufacturer's authorized repair facility. It is recommended that an annual inspection of the jack be made by a manufacturer's authorized repair facility and that any defective parts, decals or warning labels be replaced with manufacturer's specified parts.

A list of authorized repair facilities is available from the manufacturer.

## OPERATING INSTRUCTIONS

1. To lift load, pump lever to raise saddle to desired height to contact transmission.
2. Always position the jack so the weight of the load is equally distributed on the saddle.
3. To tilt lifting head, manipulate the appropriate pair of adjusting screws (there are two pairs) located under the lifting head. When one screw is loosened, the opposite screw should be tightened by the same amount to maintain a solid platform.
4. Position corner support brackets and secure the load with chain.
5. The chain should be pulled over the load securely and engaged into slot on the opposite side of the saddle, then tighten wing nut.
6. To lower the jack, slowly open release valve. Insure that load is lowered slowly.

CAUTION: Keep hands or feet away from the hinge mechanism of the jack.

## MAINTENANCE INSTRUCTIONS

All moving joints require lubrication often. Remove handle and grease the lower end of handle where it rotates in the handle socket. Grease release valve gears. Using a grease gun, grease the lift arm pivot shaft grease fitting until grease appears at the end of the shaft. Oil all lift arm linkages, front wheels and rear casters.

## OWNER/USER RESPONSIBILITY

The owner and/or user must have an understanding of the manufacturer's operating instructions and warnings before using the transmission jack. Personnel involved in the use and operation of equipment shall be careful, competent, trained, and qualified in the safe operation of the equipment and its proper use when servicing motor vehicles and their components. Warning information should be emphasized and understood. If the operator is not fluent in English, the manufacturer's instructions and warnings shall be read to and discussed with the operator in the operator's native language by the purchaser/owner, making sure that the operator comprehends its contents.

Owner and/or user must study and maintain for future reference the manufacturer's instructions and pertinent warning information. Owner and/or user is responsible for keeping all warning labels and instruction manuals legible and intact. Replacement labels and literature are available from the manufacturer.

## ⚠ WARNING

**FOR YOUR SAFETY AND TO PREVENT INJURY:**



**Use Service Jack for lifting purposes ONLY.**



**Always support vehicle with jack stands.**

## WARRANTY NOTICE

Sunex shop equipment and tools, excluding accessories, are warranted against defects in materials or workmanship for a period of 1 year from original purchase. We will repair or replace at our option any defective part or unit which proves to be defective in material or workmanship within this warranty plan. This warranty does not cover damage to equipment or tools arising from alteration, abuse or misuse, and does not cover any repairs or replacement made by anyone other than Sunex or its authorized service centers.

The foregoing obligation is Sunex Tools sole liability under this or any implied warranty and under no circumstances shall we be liable for any incidental or consequential damages.

NOTE: Some states do not allow the exclusion or limitation of incidental or consequential damages, so the above limitation or exclusion may not apply to you.

Return equipment or parts to Sunex Tools, 315 Hawkins Road, Travelers Rest, SC 29690, or to an authorized service center, transportation prepaid. Be certain to include your name and address, evidence of the purchase date, and description of the suspected defect.

If you have any questions about warranty service, please write to Sunex Tools, P.O. Box 4215, Greenville, SC 29608. This warranty gives you specific legal rights and you may also have other rights which vary from state to state.

## WARNING



**THE USE OF THIS JACK IS LIMITED TO THE REMOVAL, INSTALLATION, AND TRANSPORTATION IN THE LOWERED POSITION, OF TRANSMISSIONS AND DIFFERENTIALS. IT MAY BE USED WITH APPROPRIATE ADAPTERS MANUFACTURED SPECIFICALLY FOR**

**THE JACK TO HANDLE OTHER COMPONENTS, SUCH AS REAR AXLE UNITS AND TRANSFER CASES, WITHIN THE WEIGHT LIMITATIONS SPECIFIED. NO ALTERATION TO THE JACK OR ADAPTERS SHALL BE MADE.**

**BE SURE THE VEHICLE IS APPROPRIATELY SUPPORTED BEFORE STARTING REPAIRS.**

**Do NOT Overload. Overloading can Cause Damage To or Failure of the Jack.**

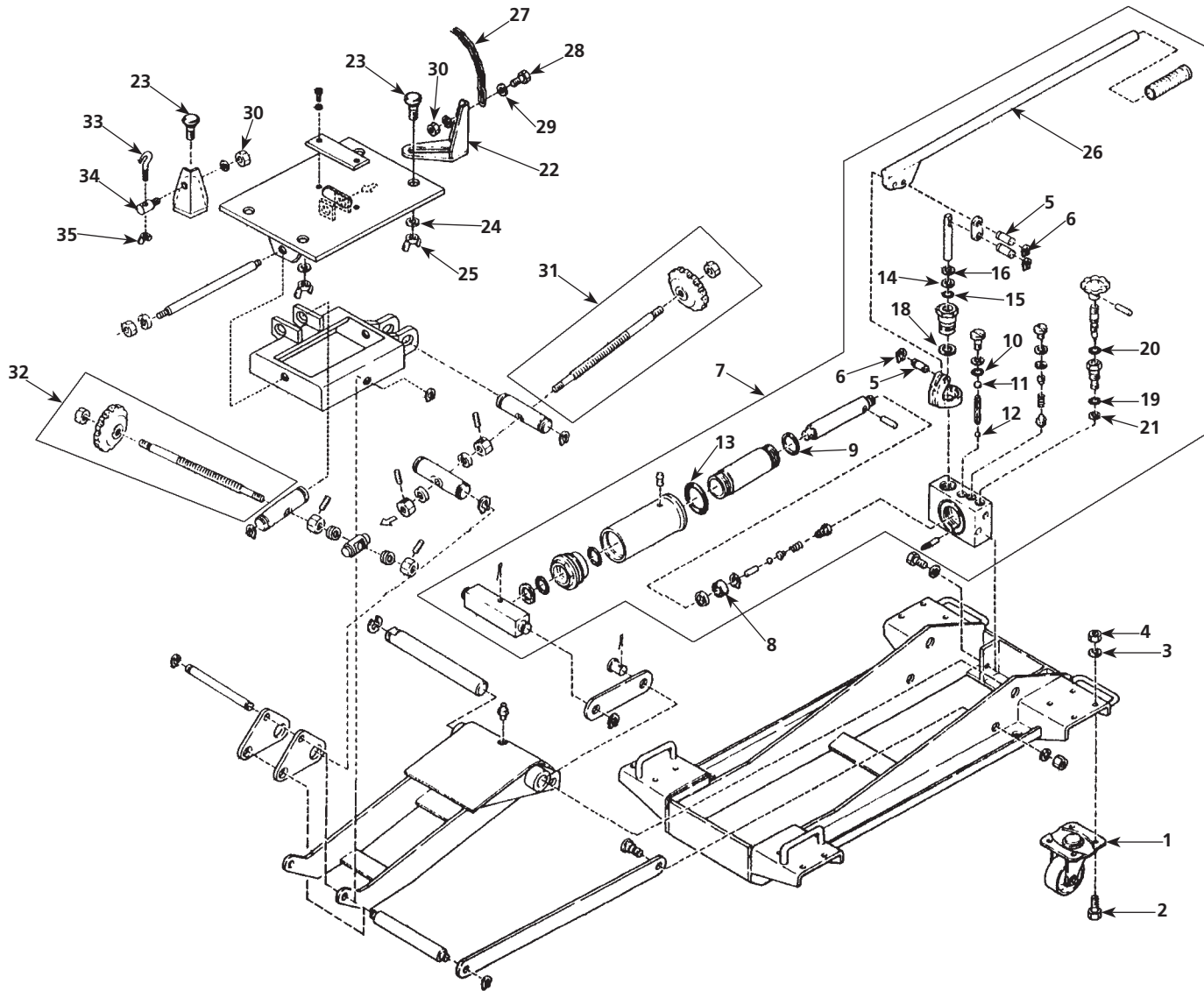
**ONLY ATTACHMENTS AND/OR ADAPTERS SUPPLIED BY THE MANUFACTURER SHALL BE USED.**

**This Jack is Designed for Use Only on Hard Level Surfaces Capable of Sustaining the Load. Use on Other than Hard Level Surfaces Can Result in Jack Instability and Possible Loss of Load.**

**Read, Study and Understand the Operating Manual Packed with this Jack Before Operating.**

**Failure to Heed These Warnings May Result in Loss of Load, Damage to Jack, and/or Failure Resulting in PROPERTY DAMAGE, PERSONAL OR FATAL INJURY.**

# MODEL 7752C OPERATING MANUAL & PARTS BREAKDOWN



Index No.	Part No.	Description	Qty.
1	7752C01	4" Swivel Caster	4
2	**	Bolt	16
3	**	Lock Washer	16
4	**	Nut	16
5	7752C05	Clevis Groove Pin	3
6	***7752C06	Snap Ring	6
7	7752C07	Complete Hyd. Unit	1
8	*	U-type Packing	1
9	*	Copper Packing	1
10	*	O-Ring	1
11	*	Steel Ball	1
12	*	Steel Ball	1
13	*	O-Ring	1
14	*	Back-up Ring	1
15	*	O-Ring	1
16	*	Oil Seal	1
18	*	Copper Packing	1
19	*	O-Ring	1

Index No.	Part No.	Description	Qty.
20	*	O-Ring	1
21	*	Copper packing	1
22	7752C22R	Finger (RH)	2
22	7752C22L	Finger (LH)	2
23	**	Bolt	4
24	**	Washer	4
25	**	Wing Nut	4
26	7752C26	Handle	1
27	****7752C27	Chain	1
28	**	Bolt	2
29	**	Washer	2
30	**	Nut	2
31	7752C31	Adjustment Rod Ass'y	1
32	7752C32	Adjustment Rod Ass'y	1
33	**	"J" Bolt	1
34	**	"I" Bolt	1
35	**	Wing Nut	1

\*Available only in Seal Kit, Part #7752CSK

\*\*\*Available individually and in Seal Kit, Part #7752CSK

\*\*Available only in Bolt Kit, Part #7752CBK

\*\*\*\*Available individually and in Bolt Kit, Part #7752CBK