



PLEASE study these instructions carefully before installing your Edelbrock Performer X intake manifold for Honda D16Y8. If you have any questions or problems, do not hesitate to contact our Technical Hotline at: 1-800-416-8628, from 7am-5pm, Monday-Friday, Pacific Standard Time, or via e-mail at: Edelbrock@Edelbrock.com. Please fill out and mail your warranty card.

- **Description:** The Performer X intake manifold is designed for the Honda D16Y8 engine in the 1996-2000 Civic EX. The throttle body mounting flange has been angled to help clear stock componentry, yet allow the use of 9" runners and a larger plenum for best performance in the 3500-7500 rpm range. (*Note: Minor modifications to your air intake tube may be required with this manifold.*) The Performer X intake manifold also includes four(4) secondary fuel injector bosses for turbocharged or alcohol fuel applications. These are partially machined and may be drilled through if you wish to use a secondary fuel rail and injectors (*Edelbrock # 4752 recommended*). Equipped with a 62mm throttle body opening, the Performer X intake manifold will accept oversized throttle bodies without port matching.
- **Emissions Systems:** The Performer X intake manifold is intended as a direct replacement for the factory intake manifold. All emissions related factory components are intended to be retained and functional. The manifold is, therefore, legal for street use in all 50 states, and no C.A.R.B. E.O. number is required. Check local laws for requirements.
- **Recommended Parts For Installation:**

The following are recommended but not required for use with the Performer X intake manifold:

1. Edelbrock Pro-Flo Fuel Rail Kit - Part # 4798
2. Russell Stainless Steel Fuel Line Kit - Part # 641110
3. Edelbrock Secondary Fuel Rail Kit - Part # 4752
(*Use in applications requiring additional injectors*)

KIT CONTENTS

- | | |
|---------------------------------------------------------------------------|---------------------------------------------------------------------|
| <input type="checkbox"/> 1 - Performer X Intake Manifold | <input type="checkbox"/> 4 - 1/8" NPT Pipe Plugs |
| <input type="checkbox"/> 1 - Intake Manifold Gasket | <input type="checkbox"/> 2 - 1/8" NPT x 3/16" Hose Barb Fitting |
| <input type="checkbox"/> 1 - Honda IAC Cover Plate | <input type="checkbox"/> 1 - 1/4" NPT Male x 1/4" NPT Female Elbow |
| <input type="checkbox"/> 2 - IAC Cover Bolts (8mm x 1.25 x 20mm long) | <input type="checkbox"/> 2 - 1/8" NPT Male x 8mm Hose Barb Fitting |
| <input type="checkbox"/> 1 - IAC Cover Gasket | <input type="checkbox"/> 1 - 1/4" NPT Male x 8mm Hose Barb Fitting |
| <input type="checkbox"/> 3ft - 1/4" SAE 30R7 Hose (Fuel Return Line) | <input type="checkbox"/> 1 - 1/4" NPT Male x 9mm Hose Barb Fitting |
| <input type="checkbox"/> 1ft - 5/16" SAE 30R7 Hose (Purge Line) | <input type="checkbox"/> 1 - 1/4" NPT Male x 10mm Hose Barb Fitting |
| <input type="checkbox"/> 4 - Air Injection (A.I.R.) Plugs, .093" Diameter | <input type="checkbox"/> 1 - 3/8" NPT Male x 17mm Hose Barb Fitting |

INSTALLATION NOTES

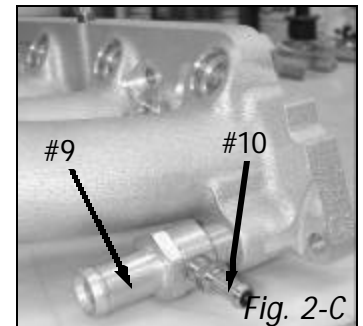
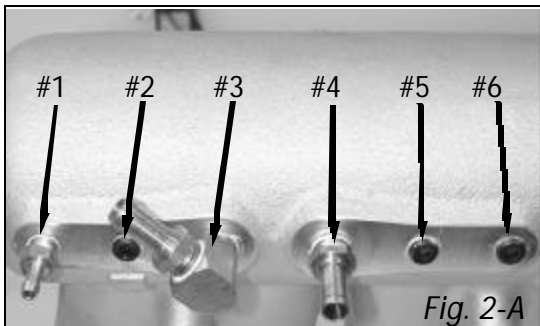
- **Before Beginning:** This installation can be accomplished using common tools and procedures. However, you should have a basic knowledge of automotive repair and modification and be familiar with and comfortable working on your vehicle. If you do not feel comfortable working on your vehicle, it is recommended to have the installation completed by a professional mechanic. Keeping a 1996-2000 Honda Civic Service Manual on hand for reference is helpful.
- **REMEMBER:** WHEN WORKING AROUND GASOLINE, DO NOT SMOKE, and KEEP ALL OPEN FLAMES, SPARKS AND OTHER SOURCES OF IGNITION AWAY FROM THE WORK AREA. Failure to do so can result in a FIRE or EXPLOSION.

INSTALLATION INSTRUCTIONS

1. Disconnect the battery and disconnect the air intake tube from the throttle body. Drain the engine coolant by loosening the petcock at the bottom of the radiator. Use a drain pan to collect drained coolant. Keep the coolant clean and free of dirt and debris, it can be re-used later on.
2. Relieve fuel pressure by loosening the banjo bolt connecting the fuel line to the fuel filter. Place a shop towel or rag over the wrench while loosening the banjo to soak up any fuel spray (See Fig. 1). When loosening or tightening the banjo bolt on the fuel filter can, use a 19mm wrench on the hex of the fuel filter can to counteract the torque of loosening or tightening the banjo bolt. This will prevent the fuel filter can and bracket from being improperly loaded during loosening or tightening at the banjo bolt.



3. (NOTE: Mark sensor connectors before removal. Some sensors have same plug ends). Disconnect the fuel injector wiring harness from the bracket on the fuel rail and unplug the harness from the fuel injectors and purge valve. (Note the locations of each plug on the harness to prevent improper connection during re-installation). Disconnect the Throttle Position Sensor and Idle Air Control Motor connectors. Disconnect the purge line from the purge valve. Disconnect the fuel return line from the steel chassis fuel line. Disconnect the fuel line from the fuel filter. Disconnect the coolant lines from the throttle body and manifold flange. (Note: Some coolant will drain from the coolant lines leading into the intake manifold when they are disconnected). Remove the two bolts at the rear of the stock manifold attaching the manifold support bracket. Disconnect the vacuum lines at the rear of the manifold. Remove the throttle cable. Remove the factory intake manifold nuts. Remove the stock intake manifold assembly and set aside. You may now remove the stock intake manifold support brace.

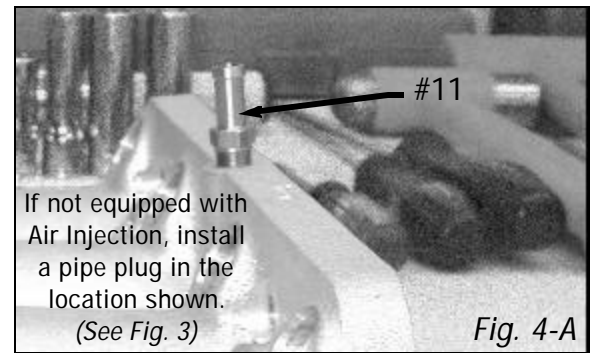


4. Stuff the open intake ports in the cylinder head with paper towels to prevent any debris from entering the engine. Thoroughly clean the gasket surface removing any remaining sealant or gasket material.
5. (Note: Use anti-seize or teflon paste on the threads of fittings before installing them into the intake manifold). Install the vacuum fittings into the underside of the Performer X intake manifold (See Fig. 2-A), and onto the top of the Performer X intake manifold (See Fig. 2-B). Install the water outlet fitting into the mounting flange. Install the 1/8" NPT x 8mm barb into the water outlet fitting (See Fig. 2-C). (Refer to Fig. 3 for Fitting Descriptions).

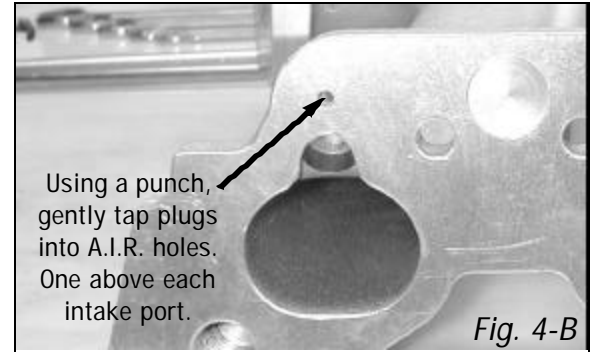
- #1 - 1/8" NPT x 3/16" Barb (Cruise Control)
- #2 - 1/8" NPT Pipe Plug
- #3 - 1/4" NPT Elbow & 1/4" NPT x 10mm Barb (Power Brake Booster)
- #4 - 1/4" NPT Male x 8mm Barb (PVC)
- #5 - 1/8" NPT Pipe Plug
- #6 - 1/8" NPT Pipe Plug
- #7 - 1/8" NPT x 3/16" Barb (Fuel Regulator)
- #8 - 9mm Barb x 1/4" NPT (Purge Valve)
- #9 - 3/8" NPT x 17mm Barb (Water Outlet)
- #10 - 1/8" NPT x 8mm Barb (Water Outlet Tee)
- #11 - 1/8" NPT x 8mm Barb (Air Injection)
Or 1/8" NPT Pipe Plug (Non-A.I.R.)

Fig. 3

6. On 1999-2000 vehicles equipped with air injection, install a 1/8" NPT x 8mm adapter fitting into the center of the top of the intake flange (See Fig. 4-A). On other models, install a 1/8" NPT pipe plug and install the AIR plugs into the small holes directly above the intake ports on the intake flange. Using a small punch, gently drive plugs into the flange until flush (See Fig. 4-B).



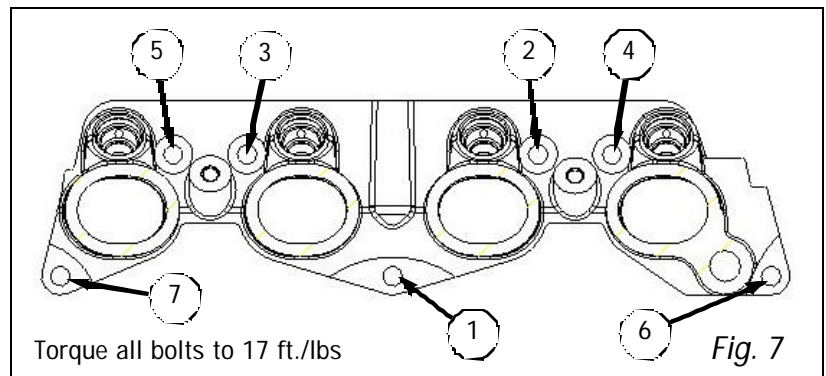
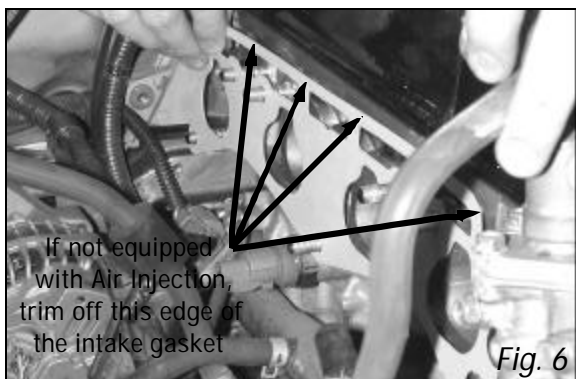
7. Remove Idle air control motor from factory intake manifold and install onto the Performer X intake manifold. (On vehicles with automatic transmissions, the IAC motor is on the throttle body. Install the supplied IAC Cover Plate using the two supplied 8mm x 1.25 x 20mm bolts). Remove the throttle body, and two throttle body studs from the factory intake manifold. Using two nuts on the studs, and jamming them, will help get the studs out of the stock intake manifold (See Fig. 5). Install the two throttle body studs into the Performer X intake manifold, one on the upper right bolt hole of the throttle body mounting flange and one on the lower left bolt hole. Install the stock throttle body onto the Performer X manifold. Remove the stock throttle cable bracket and install onto the Performer X manifold using the stock bolts. Remove the stock fuel rail/injectors/purge valve/fuel pressure regulator and install onto the Performer X manifold using the stock hardware. (Inspect all o-rings and seals for wear, replace if necessary).



8. Using the supplied gasket, install the Performer X manifold/throttle body/fuel rail assembly onto the engine. If the engine was not equipped with Air Injection, trim the upper gasket edge (See Fig. 6). (Remember: Remove the paper towels or rags before installing the intake manifold). (See Fig. 7 for proper torque values and sequence). Re-connect all factory sensors and vacuum hoses. Re-connect the factory fuel injector wiring harness to the stock fuel injectors, and re-attach the harness to the fuel rail bracket. Re-connect the stock throttle cable to the bracket and following the factory service manual, adjust the throttle cable for proper operation.



9. Connect the Fuel Filter to the fuel rail and reconnect the fuel return line. Re-fill the coolant to the factory specified level.



Edelbrock Corporation • 2700 California St. • Torrance, CA 90503
 Tech Line: (800) 416-8628
 Office: (310) 781-2222 • Fax: (310) 972-2730
 E-Mail: Edelbrock@Edelbrock.com