

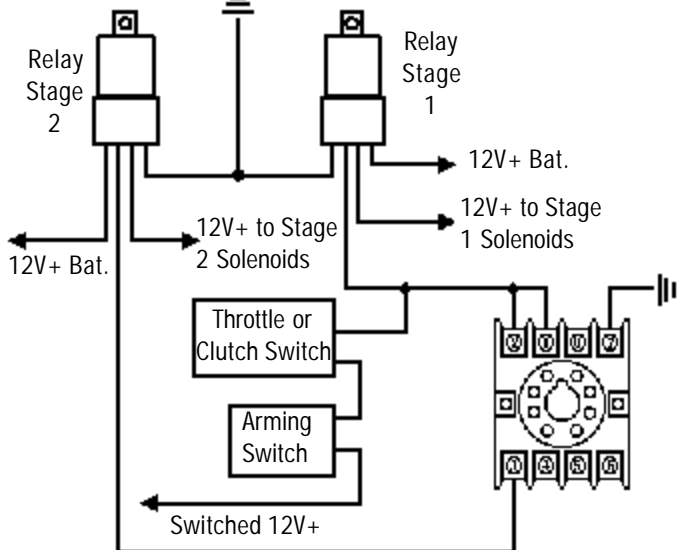


EDELBROCK NITROUS SYSTEMS
 TIME DELAY RELAY SWITCH
 Catalog #71907
 INSTALLATION INSTRUCTIONS

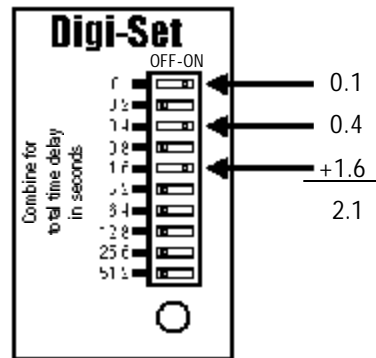
The Edelbrock Time Delay Relay Switch enables you to activate any accessory component relay, such as a second stage or third stage of nitrous, based off of the user set time delay. The unit is adjustable using the small switches located on the face of the delay module. The unit is adjustable from 0.1 to 102.3 seconds. If you have any questions, please contact the Technical Hotline at: 1-800-416-8628, Monday-Friday, 7am-5pm,

PST or e-mail us at Edelbrock@edelbrock.com. Please fill out and mail your warranty card.

WARNING: The time delay switch is only rated for 10 amps. Using the relay is a MUST.



The unit pictured below is set to activate the additional stage 2.1 seconds after the trigger. The unit is programmed by turning on the switched in combinations with each other to achieve the setting that you intend. For example, to achieve 6.2 seconds, you would turn the 3.2, 1.6, 0.8, 0.4, and 0.2 second switches to the "on" position.

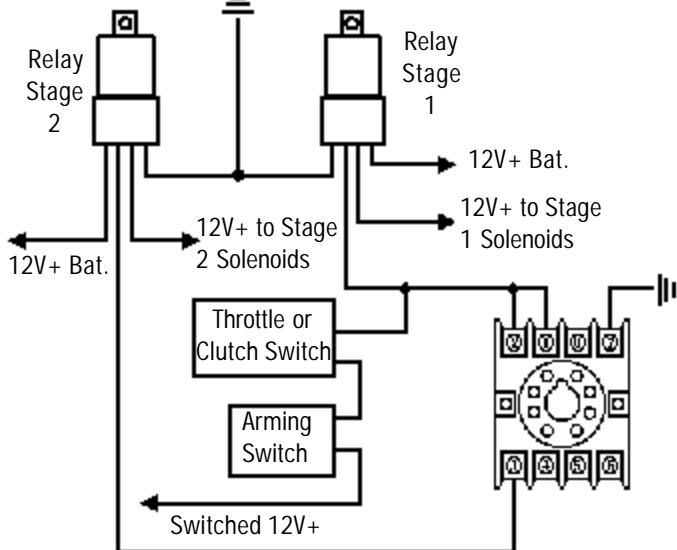


EDELBROCK NITROUS SYSTEMS
 TIME DELAY RELAY SWITCH
 Catalog #71907
 INSTALLATION INSTRUCTIONS

The Edelbrock Time Delay Relay Switch enables you to activate any accessory component relay, such as a second stage or third stage of nitrous, based off of the user set time delay. The unit is adjustable using the small switches located on the face of the delay module. The unit is adjustable from 0.1 to 102.3 seconds. If you have any questions, please contact the Technical Hotline at: 1-800-416-8628, Monday-Friday, 7am-5pm,

PST or e-mail us at Edelbrock@edelbrock.com. Please fill out and mail your warranty card.

WARNING: The time delay switch is only rated for 10 amps. Using the relay is a MUST.



The unit pictured below is set to activate the additional stage 2.1 seconds after the trigger. The unit is programmed by turning on the switched in combinations with each other to achieve the setting that you intend. For example, to achieve 6.2 seconds, you would turn the 3.2, 1.6, 0.8, 0.4, and 0.2 second switches to the "on" position.

