

©2001 Energy Suspension. All rights reserved.
 May not be reproduced, in any form, or by any means,
 without the written consent of Energy Suspension.

Instructions

Spray all nuts to be removed generously with your favorite rust buster.

Raise front of vehicle and properly support on frame, leaving sufficient room for easy access to lower strut. Place jack stand under lower control arm to support it when loosening strut fasteners. Remove front wheel.

Remove nut from top of strut rod (make sure jack stand supports lower control arm). Remove rubber bushing and cupped washers from upper strut rod position.

NOTE: Do not loosen fasteners on adjustment plate, this could cause the front wheels to become misaligned.

Remove two large bolts from lower strut position and carefully remove strut from vehicle.

NOTE: It may be necessary to re-align front wheels when finished installing new bushings.

Remove plastic boot from retainer. Remove bonded rubber from metal surface. It may be necessary to use a wire wheel to clean all bonded material from metal surface.

Replace plastic boot onto cupped metal retainer.

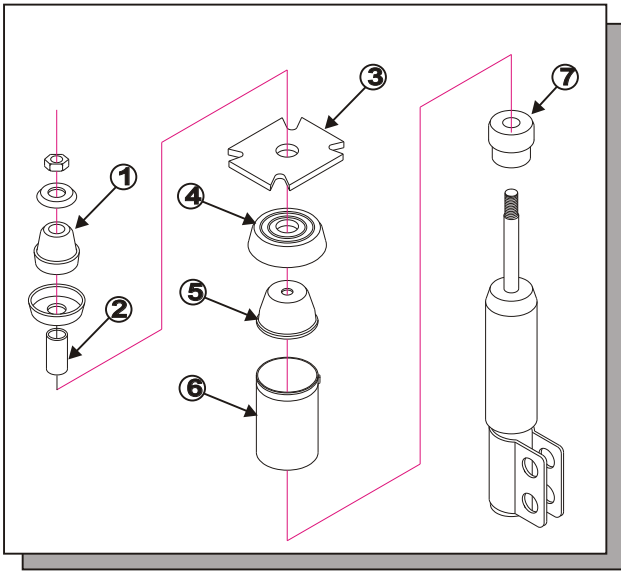
Refer to diagram for proper part location when reassembling strut in vehicle.

Set # 4-7114

INST.#17275



1131 VIA CALLEJON, SAN CLEMENTE, CA 92673



1. 2214 Bushing, upper strut position
2. 15.051 Sleeve (7/8"O.D. x 5/8" I.D. x 2-1/8" Lg.)
3. Adjustment plate (shape may vary from diagram)
4. 2215-B Bushing, lower strut position
5. Metal, boot retainer (must reuse)
6. Plastic boot (must reuse)
7. Bump stop (sold separately, Set # 4-6103).

NOTE: Be sure to torque all fasteners to factory specs.

©2001 Energy Suspension. All rights reserved.
 May not be reproduced, in any form, or by any means,
 without the written consent of Energy Suspension.

Instructions

Spray all nuts to be removed generously with your favorite rust buster.

Raise front of vehicle and properly support on frame, leaving sufficient room for easy access to lower strut. Place jack stand under lower control arm to support it when loosening strut fasteners. Remove front wheel.

Remove nut from top of strut rod (make sure jack stand supports lower control arm). Remove rubber bushing and cupped washers from upper strut rod position.

NOTE: Do not loosen fasteners on adjustment plate, this could cause the front wheels to become misaligned.

Remove two large bolts from lower strut position and carefully remove strut from vehicle.

NOTE: It may be necessary to re-align front wheels when finished installing new bushings.

Remove plastic boot from retainer. Remove bonded rubber from metal surface. It may be necessary to use a wire wheel to clean all bonded material from metal surface.

Replace plastic boot onto cupped metal retainer.

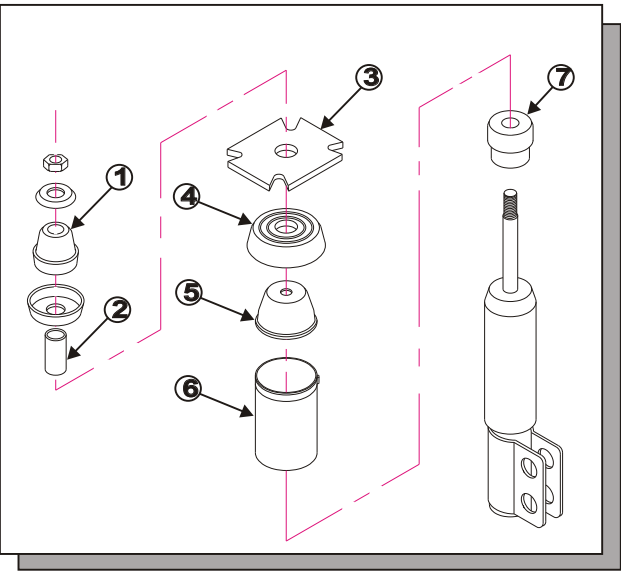
Refer to diagram for proper part location when reassembling strut in vehicle.

Set # 4-7114

INST.#17275



1131 VIA CALLEJON, SAN CLEMENTE, CA 92673



1. 2214 Bushing, upper strut position
2. 15.051 Sleeve (7/8"O.D. x 5/8" I.D. x 2-1/8" Lg.)
3. Adjustment plate (shape may vary from diagram)
4. 2215-B Bushing, lower strut position
5. Metal, boot retainer (must reuse)
6. Plastic boot (must reuse)
7. Bump stop (sold separately, Set # 4-6103).

NOTE: Be sure to torque all fasteners to factory specs.