

Installation Instructions

For Set #16-3117/18



1131 VIA CALLEJON, SAN CLEMENTE, CA 92673

It is recommended that if you are unfamiliar with this type of work that you refer to a qualified service center specializing in this type of work. It is also recommended that if you choose to do this work yourself that a factory service manual be obtained for the proper procedures pertaining to removal, replacement and proper torque specifications for your vehicle. This instruction set is intended as a guideline for the safe installation of Energy Suspension's Polyurethane.

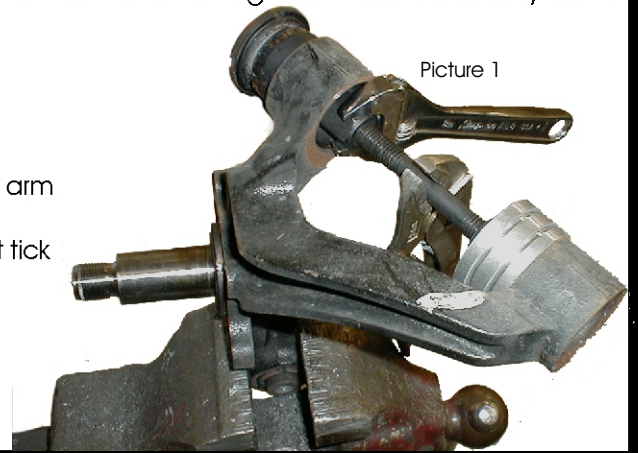
© 2003 Energy Suspension. All rights reserved.
May not be reproduced, in any form, or by any means, without the written consent of Energy Suspension.

OEM BUSHING REMOVAL

- Using all-thread, nuts, and washers, remove the two bushings from the knuckle assembly (A).
- (see picture 1 below) • To remove the pin assembly from the front of the trailing arm (C), put the (shell side) pin in a vise. To avoid damaging the pin, use a large adjustable wrench and rotate the pin until it comes out. You only need to remove the one pin from the sleeve, leave the other-side pin pressed in.
- Using heat, remove sleeve/pin assembly from the rubber bushing.
- Using a pair of pliers, remove old rubber bushing remains from the trailing arm. Remove any burrs on the inside of the trailing arm and knuckle assembly.

INSTALLATION

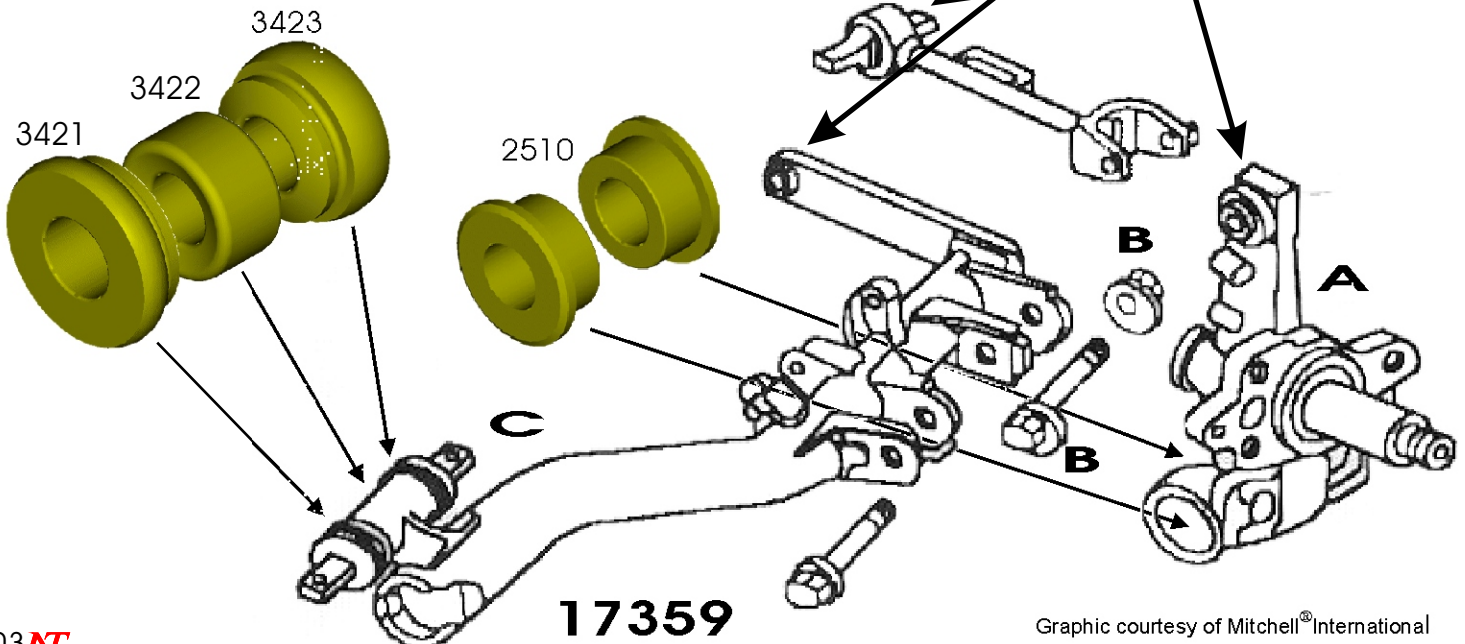
- Apply grease to sleeve O.D., arm I.D., knuckle assembly I.D., and bushings. Install supplied sleeves* and bushings #2510 into lower knuckle assembly.
- Bushing #3423 must be installed on the back side of the trailing arm (facing rear of car). Install remaining bushings. **SEE DIAGRAM.**
- Reinstall trailing arm and knuckle assembly. Make sure alignment tick marks on cam plate are in the same position as they were before removal (B).
- Tighten all bolts to factory specifications.
- Energy Suspension® recommends a full alignment at a qualified facility.



Picture 1

- ★ **Set#16.3117** -uses 4 sleeves (1.000" x 0.563" x 1.817")
- Set#16.3118** -uses 2 sleeves (1.000" x 0.563" x 1.817")
- Uses 2 sleeves(1.000" x 0.500" x 1.817")

Do not remove these bushings.
They are not supplied!



Graphic courtesy of Mitchell® International