

# Set # 2-3106 & Set # 2-3107



1131 VIA CALLEJON, SAN CLEMENTE, CA 92673

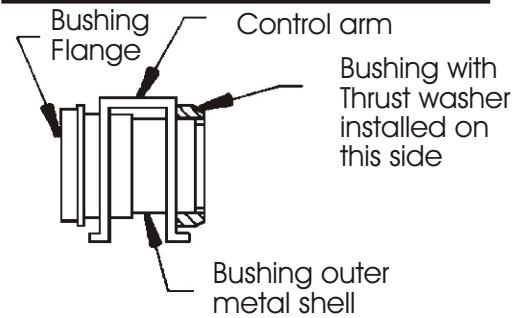
## Must use existing outer metal shells. DO NOT REMOVE FROM CONTROL ARMS!!

Remove old I.D. sleeve and old rubber from the shells  
Make sure the I.D. of the shells are clean and free of any old rubber

Apply a light coat of grease to the I.D. of the shell  
Apply a light coat of grease to the I.D., O.D. and the flange  
Apply a light coat of grease to the O.D. of the new metal sleeve

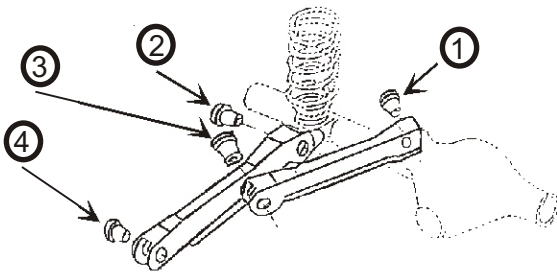
Install the bushing in the shell and install the sleeve last  
Apply a light coat of grease to the faces of the thrust washer that contacts the metal surfaces

©2000 Energy Suspension. All rights reserved.  
May not be reproduced, in any form, or by any means, without the written consent of Energy Suspension.



### Set # 2-3106

### Set # 2-3107



Position	Part #
1	3354 bushing
driver side	3363 thrust washer
pasenger	3362 thrust washer
3	3354 bushing
	3353 thrust washer
2 & 4	3301 bushing
	3300 thrust washer

Position	Part #
1 & 3	3354 bushing
	3352 thrust washer
2 & 4	3301 bushing
	3300 thrust washer

# Set # 2-3106 & Set # 2-3107



1131 VIA CALLEJON, SAN CLEMENTE, CA 92673

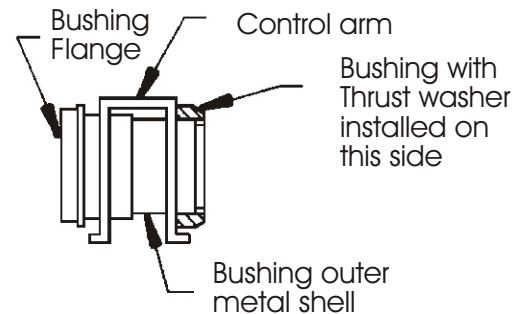
## Must use existing outer metal shells. DO NOT REMOVE FROM CONTROL ARMS!!

Remove old I.D. sleeve and old rubber from the shells  
Make sure the I.D. of the shells are clean and free of any old rubber

Apply a light coat of grease to the I.D. of the shell  
Apply a light coat of grease to the I.D., O.D. and the flange  
Apply a light coat of grease to the O.D. of the new metal sleeve

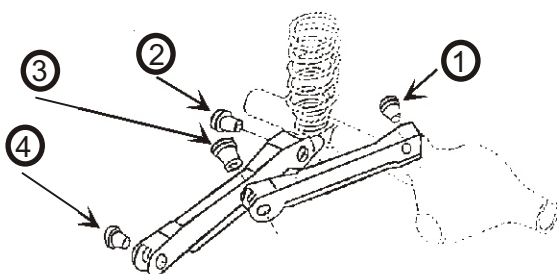
Install the bushing in the shell and install the sleeve last  
Apply a light coat of grease to the faces of the thrust washer that contacts the metal surfaces

©2000 Energy Suspension. All rights reserved.  
May not be reproduced, in any form, or by any means, without the written consent of Energy Suspension.



### Set # 2-3106

### Set # 2-3107



Position	Part #
1	3354 bushing
driver side	3363 thrust washer
pasenger	3362 thrust washer
3	3354 bushing
	3353 thrust washer
2 & 4	3301 bushing
	3300 thrust washer

Position	Part #
1 & 3	3354 bushing
	3352 thrust washer
2 & 4	3301 bushing
	3300 thrust washer

17280  
7/NOV/00 BRH

17280  
7/NOV/00 BRH