

Set # 2-3106 & Set # 2-3107



1131 VIA CALLEJON, SAN CLEMENTE, CA 92673

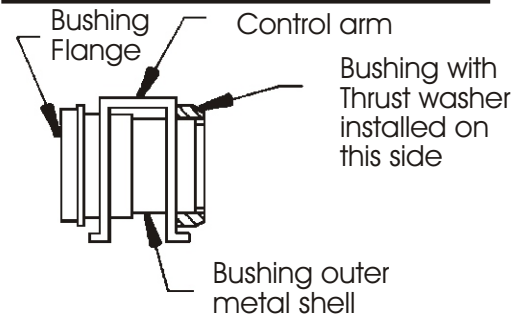
Must use existing outer metal shells. DO NOT REMOVE FROM CONTROL ARMS!!

Remove old I.D. sleeve and old rubber from the shells
Make sure the I.D. of the shells are clean and free of any old rubber

Apply a light coat of grease to the I.D. of the shell
Apply a light coat of grease to the I.D., O.D. and the flange
Apply a light coat of grease to the O.D. of the new metal sleeve

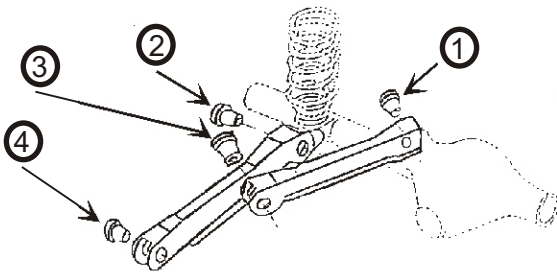
Install the bushing in the shell and install the sleeve last
Apply a light coat of grease to the faces of the thrust washer that contacts the metal surfaces

©2000 Energy Suspension. All rights reserved.
May not be reproduced, in any form, or by any means, without the written consent of Energy Suspension.



Set # 2-3106

Set # 2-3107



Position	Part #
1	3354 bushing
driver side	3363 thrust washer
pasenger	3362 thrust washer
3	3354 bushing
	3353 thrust washer
2 & 4	3301 bushing
	3300 thrust washer

Position	Part #
1 & 3	3354 bushing
	3352 thrust washer
2 & 4	3301 bushing
	3300 thrust washer

Set # 2-3106 & Set # 2-3107



1131 VIA CALLEJON, SAN CLEMENTE, CA 92673

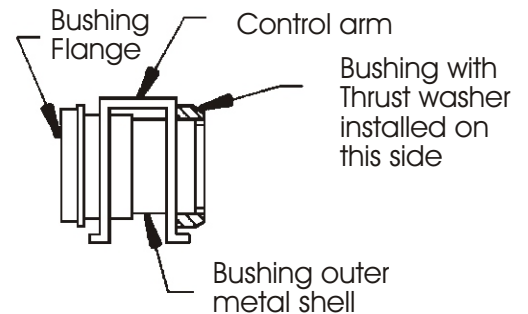
Must use existing outer metal shells. DO NOT REMOVE FROM CONTROL ARMS!!

Remove old I.D. sleeve and old rubber from the shells
Make sure the I.D. of the shells are clean and free of any old rubber

Apply a light coat of grease to the I.D. of the shell
Apply a light coat of grease to the I.D., O.D. and the flange
Apply a light coat of grease to the O.D. of the new metal sleeve

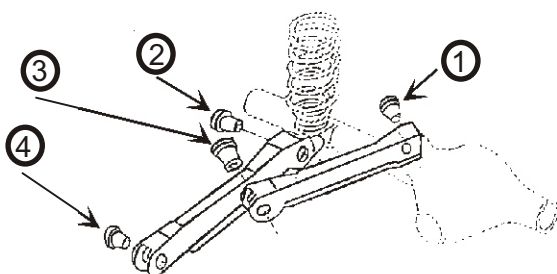
Install the bushing in the shell and install the sleeve last
Apply a light coat of grease to the faces of the thrust washer that contacts the metal surfaces

©2000 Energy Suspension. All rights reserved.
May not be reproduced, in any form, or by any means, without the written consent of Energy Suspension.



Set # 2-3106

Set # 2-3107



Position	Part #
1	3354 bushing
driver side	3363 thrust washer
pasenger	3362 thrust washer
3	3354 bushing
	3353 thrust washer
2 & 4	3301 bushing
	3300 thrust washer

Position	Part #
1 & 3	3354 bushing
	3352 thrust washer
2 & 4	3301 bushing
	3300 thrust washer

17280
7/NOV/00 BRH

17280
7/NOV/00 BRH