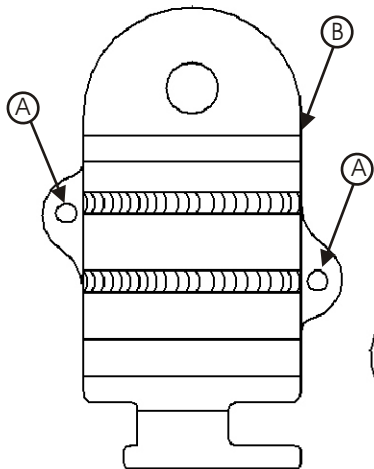


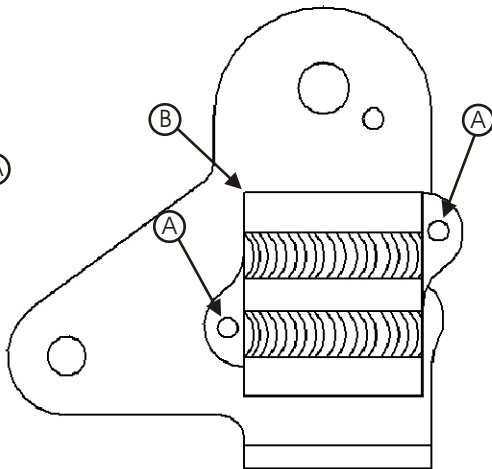
INSTRUCTION SHEET FOR SETS #3-1110 & 3-1111

Read this instruction sheet thoroughly before initiating any work!

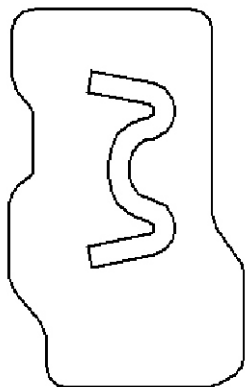
Outer Bracket



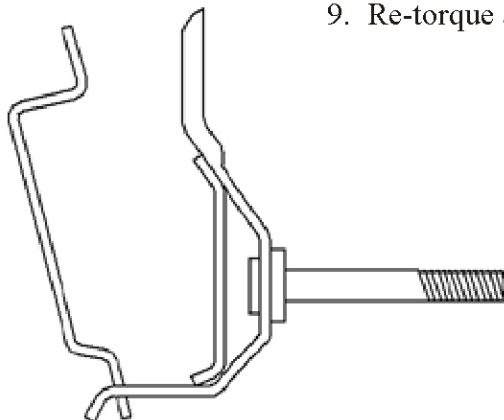
Inner Bracket



NOTE: Your polyurethane bushing may vary in shape. Part number always faces rear of vehicle.



Polyurethane Bushing



Inner/outer Bracket

1. Properly raise and support vehicle.
2. Remove torque arm bushing and bracket from car.
3. Remove rivets (A) by drilling with 7/32" drill bit or grind head of rivet off.
4. Remove rubber bushings including metal backing plates (B) from brackets.
5. Install inner bracket onto transmission.
6. Grease inside of bushing with supplied grease.
7. Install polyurethane bushing onto torque arm with part number facing rear of vehicle and position in inner bracket.
8. Install outer bracket.
9. Re-torque all fasteners to factory specifications.