

Multi Purpose Differential Thrust-Washer Instruction Sheet

The thrust washers are designed to prevent the control arm from walking side-to-side by accepting side load pressure created during hard cornering. Most kits contain more than one part #. It is very important to install them at the correct location. See illustration for your set #. Remember, apply a light amount of the supplied grease to all faces that contact metal.

Notes: On GM vehicles with a 12 bolt inspection cover, a slight modification must be done to one of Pt. # 3089. A flat area must be cut on thrust washer (see illustration) before installing. This allows for sufficient clearance between bushing outer shell and differential casting on drivers side upper. **(12 bolt only)**

Set # 3-3132: Vehicles with boxed in lower control arms use Pt. #3087 instead of Pt. # 3088. 1964-67 vehicles use Pt. # 3088

© 2002 Energy Suspension. All rights reserved.
May not be reproduced, in any form, or by any means, without the written consent of Energy Suspension.

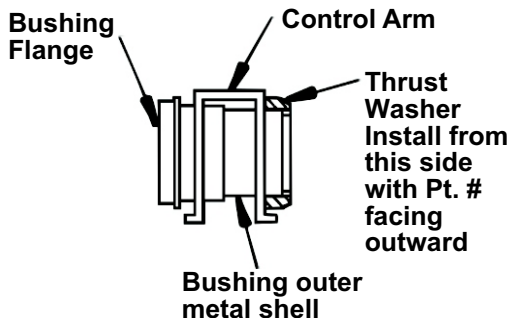
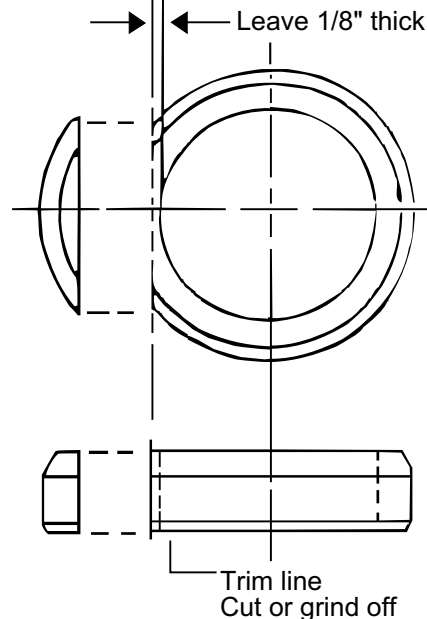


Illustration below is for modification of part # 3089 on G.M. 12 bolt only. Driver side upper rear washer.



Find your set # below. Use parts list with positional diagram **(A)**

Set # 3-3132 (see Notes)
Position # 1 - 3088
Position # 2 - 3088
Position # 3 - 3087
Position # 4 - 3089

Set # 4-3120
Position # 1 - 3087
Position # 2 - 3087
Position # 3 - 3141

Set # 3-3133
Position # 1 - 3088
Position # 2 - 3088
Position # 3 - 3087
Position # 4 - 3110

Set # 3-3136
Position # 1 - 3232
Position # 2 - 3232

Set # 3-3140
Position # 1 - 3128
Position # 2 - 3119
Position # 3 - 3114
Position # 4 - 3114

Set # 3-3141
Position # 1 - 3112
Position # 2 - 3112

Set # 4-3114 or 4-3135
Position # 1 - 3100
Position # 2 - 3101
Position # 3 - 3099
Position # 4 - 3098

Set # 4-3115
Position # 1 - 3109
Position # 2 - 3101
Position # 3 - 3099
Position # 4 - 3098

