

# 9.9169

## 2" / 50mm Creeper Wheels

### 4 wheels in this set

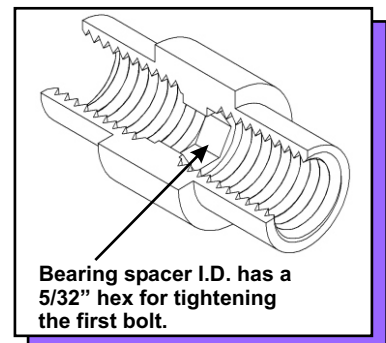
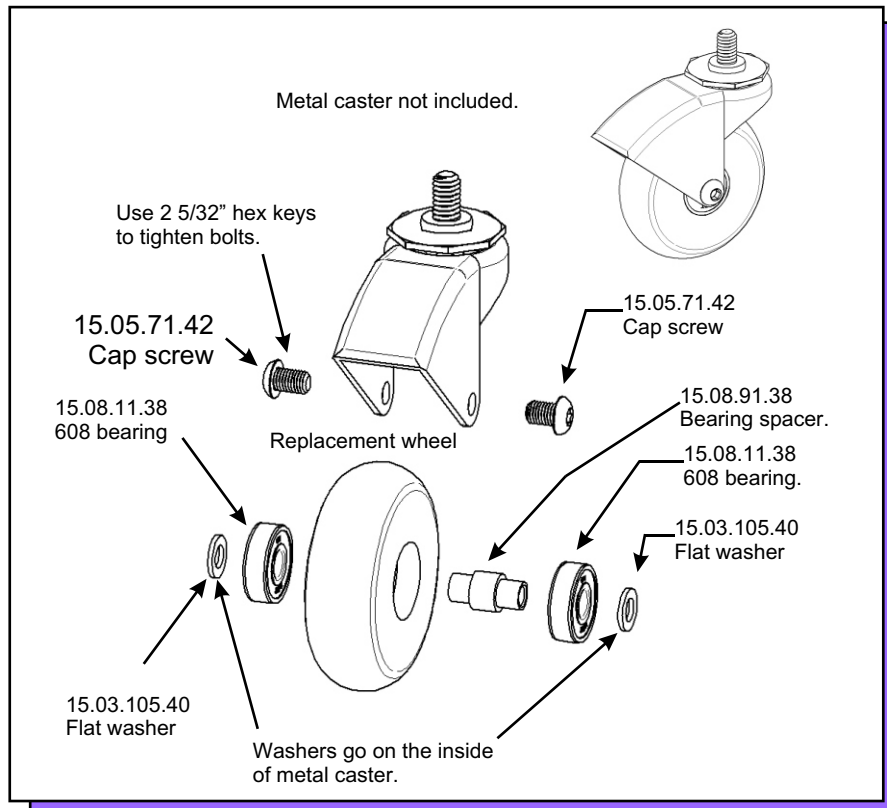
# B.O.M.

- 4 - 15.12.87.\* (2" / 50mm preassembled wheel).
  - 1 - 9324.\* (2" / 50mm wheel).
  - 1 - 15.08.91.38 (Threaded bearing spacer).
  - 2 - 15.08.11.38 (608 bearings).
- 1 - 15.12.85.\* (Washers & bolts, bagged).
  - 8 - 15.03.105.40 (.470" x .260" x .035" washer).
  - 8 - 15.05.71.42 (1/4-28 x 3/8" cap screw).
- 1 - 17383 Instructions.

**Note:** Metal caster is not included, you must reuse your original hardware. For casters with riveted axle, grind off one side and use a punch to remove rivet, or, use a hacksaw and cut rivet off next to wheel (between wheel and caster).



22.01.68 INSERT  
22.02.53 CLAMSHELL



BRH  
8/JUL/03  
Updated 1/DEC/03  
Updated 12/MAY/04

# 9.9170

## 2" / 50mm Creeper Wheels

### 6 wheels in this set

# B.O.M.

6 - 15.12.87.\* (2" / 50mm preassembled wheel).

1 - 9324.\* (2" / 50mm wheel).

1 - 15.08.91.38 (Threaded bearing spacer).

2 - 15.08.11.38 (608 bearings).

1 - 15.12.86.\* (Washers & bolts, bagged).

12 - 15.03.105.40 (.470" x .260" x .035" washer).

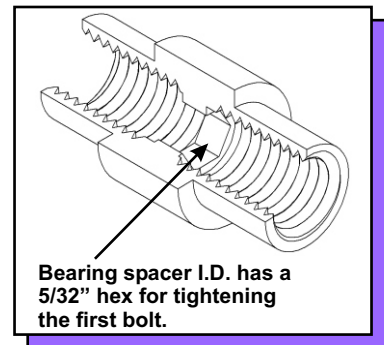
12 - 15.05.71.42 (1/4-28 x 3/8" cap screw).

1 - 17383 Instructions.

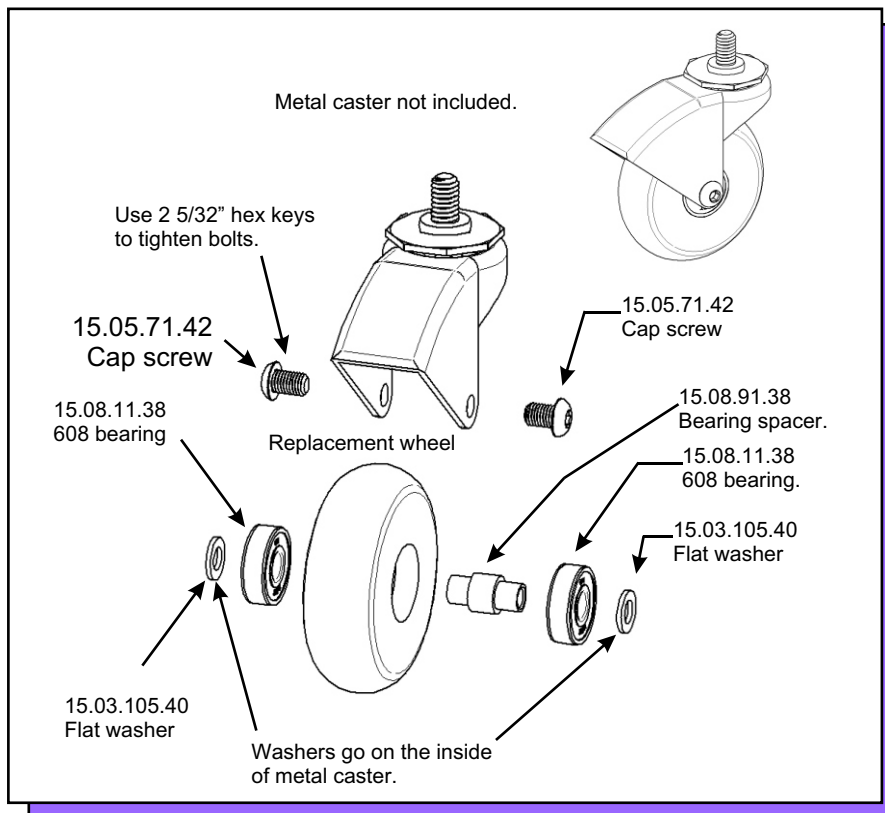
**Note:** Metal caster is not included, you must reuse your original hardware. For casters with riveted axle, grind off one side and use a punch to remove rivet, or, use a hacksaw and cut rivet off next to wheel (between wheel and caster).



22.01.68 INSERT  
22.02.53 CLAMSHELL



BRH  
8/JUL/03  
Updated 1/DEC/03  
Updated 12/MAY/04



# 9.9171G

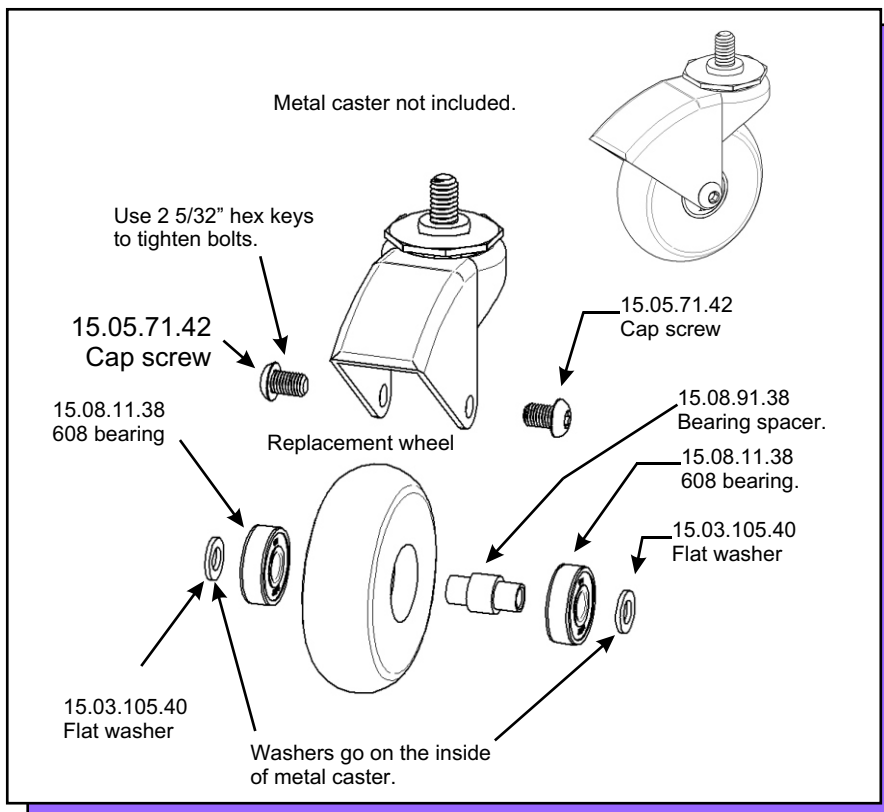
## 2-3/8" / 60mm Creeper Wheels

### 4 black wheels in this set

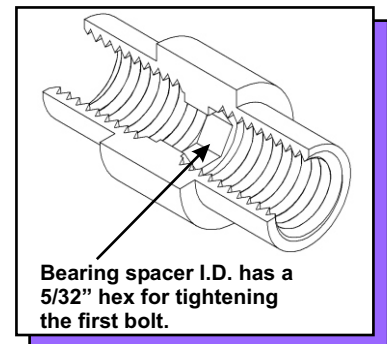
# B.O.M.

- 4 - 15.12.89.01 (2-3/8" / 60mm preassembled wheel).
  - 1 - 9320.01 (2-3/8" / 60mm wheel).
  - 1 - 15.08.91.38 (Threaded bearing spacer).
  - 2 - 15.08.11.38 (608 bearings).
- 1 - 15.12.85.\* (Washers & bolts, bagged).
  - 8 - 15.03.105.40 (.470" x .260" x .035" washer).
  - 8 - 15.05.71.42 (1/4-28 x 3/8" cap screw).
- 1 - 17383 Instructions.

**Note:** Metal caster is not included, you must reuse your original hardware. For casters with riveted axle, grind off one side and use a punch to remove rivet, or, use a hacksaw and cut rivet off next to wheel (between wheel and caster).



22.01.68 INSERT  
22.02.53 CLAMSHELL



BRH  
8/JUL/03  
Updated 1/DEC/03  
Updated 12/MAY/04

# 9.9171R

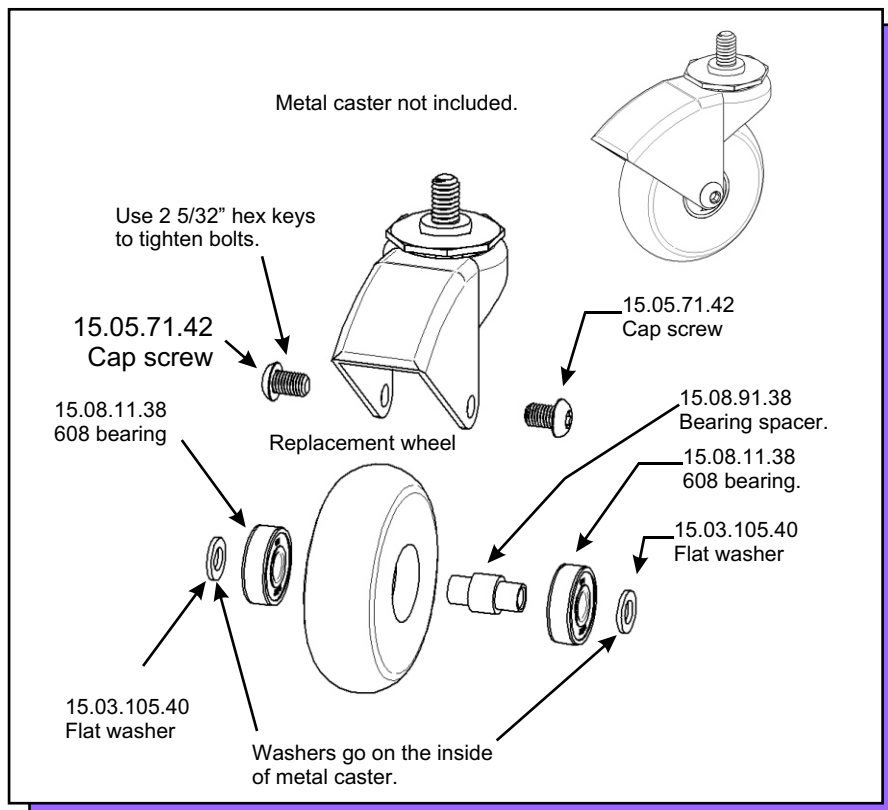
## 2-3/8" / 60mm Creeper Wheels

### 4 red wheels in this set

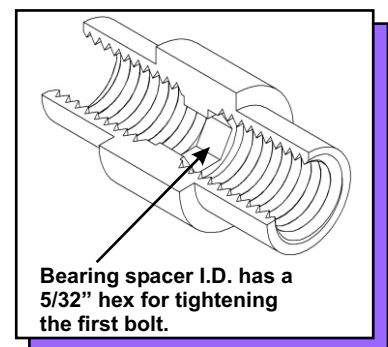
# B.O.M.

- 4 - 15.12.88.02 (2-3/8" / 60mm preassembled wheel).
  - 1 - 9318.02 (2-3/8" / 60mm wheel).
  - 1 - 15.08.91.38 (Threaded bearing spacer).
  - 2 - 15.08.11.38 (608 bearings).
- 1 - 15.12.85.\* (Washers & bolts, bagged).
  - 8 - 15.03.105.40 (.470" x .260" x .035" washer).
  - 8 - 15.05.71.42 (1/4-28 x 3/8" cap screw).
- 1 - 17383 Instructions.

**Note:** Metal caster is not included, you must reuse your original hardware. For casters with riveted axle, grind off one side and use a punch to remove rivet, or, use a hacksaw and cut rivet off next to wheel (between wheel and caster).



22.01.68 INSERT  
22.02.53 CLAMSHELL



BRH  
8/JUL/03  
Updated 1/DEC/03  
Updated 12/MAY/04

# 9.9172G

## 2-3/8" / 60mm Creeper Wheels

### 6 black wheels in this set

# B.O.M.

6 - 15.12.89.01 (2-3/8" / 60mm preassembled wheel).

1 - 9320.01 (2-3/8" / 60mm wheel).

1 - 15.08.91.38 (Threaded bearing spacer).

2 - 15.08.11.38 (608 bearings).

1 - 15.12.86.\* (Washers & bolts, bagged).

12 - 15.03.105.40 (.470" x .260" x .035" washer).

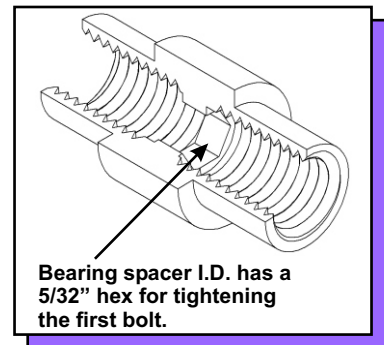
12 - 15.05.71.42 (1/4-28 x 3/8" cap screw).

1 - 17383 Instructions.

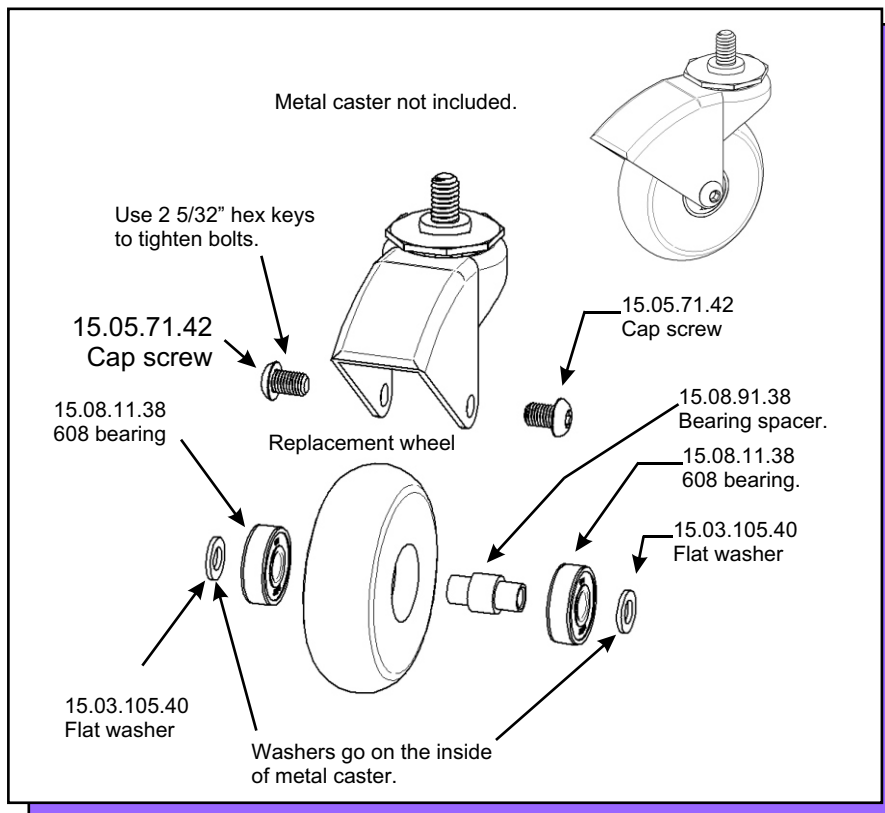
**Note:** Metal caster is not included, you must reuse your original hardware. For casters with riveted axle, grind off one side and use a punch to remove rivet, or, use a hacksaw and cut rivet off next to wheel (between wheel and caster).



22.01.69 INSERT  
22.02.40 CLAMSHELL



BRH  
8/JUL/03  
Updated 1/DEC/03  
Updated 12/MAY/04





# 9.9172R

## 2-3/8" / 60mm Creeper Wheels

### 6 red wheels in this set

# B.O.M.

6 - 15.12.88.02 (2-3/8" / 60mm preassembled wheel)

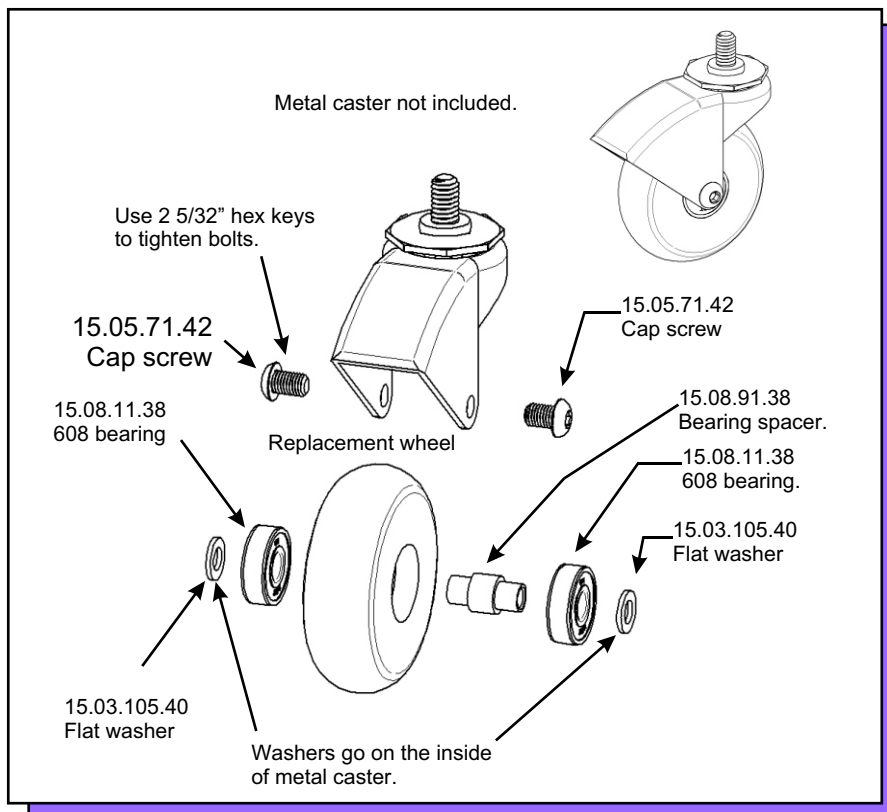
- 1 - 9318.02 (2-3/8" / 60mm wheel).
- 1 - 15.08.91.38 (Threaded bearing spacer).
- 2 - 15.08.11.38 (608 bearings).

1 - 15.12.86.\* (Washers & bolts, bagged).

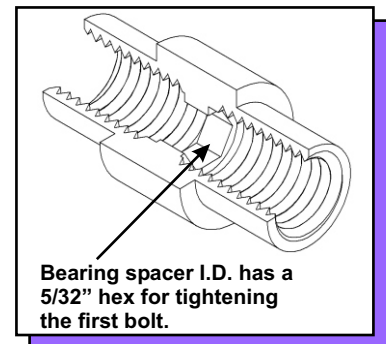
- 12 - 15.03.105.40 (.470" x .260" x .035" washer).
- 12 - 15.05.71.42 (1/4-28 x 3/8" cap screw).

1 - 17383 Instructions.

**Note:** Metal caster is not included, you must reuse your original hardware. For casters with riveted axle, grind off one side and use a punch to remove rivet, or, use a hacksaw and cut rivet off next to wheel (between wheel and caster).



22.01.69 INSERT  
22.02.40 CLAMSHELL



BRH  
8/JUL/03  
Updated 1/DEC/03  
Updated 12/MAY/04