

Installation instructions

For 2" / 50mm & 2-3/8" / 60mm
Creeper Wheels

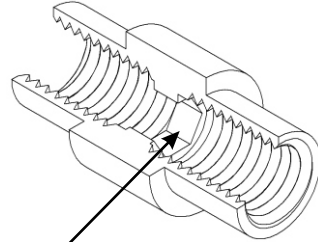


1131 VIA CALLEJON, SAN CLEMENTE, CA 92673

Parts list for 1 wheel only (multiply by 4 or 6, depending on the set you have).

- 1 - Wheel (2" / 50mm or 2-3/8" / 60mm).
- 1 - 15.08.91.38 (Threaded bearing spacer).
- 2 - 15.08.11.38 (608 bearings).
- 2 - 15.03.105.40 (.470" x .260" x .035" washer).
- 2 - 15.05.71.42 (1/4-28 x 3/8" cap screw).
- 1 - 17383 Instructions.

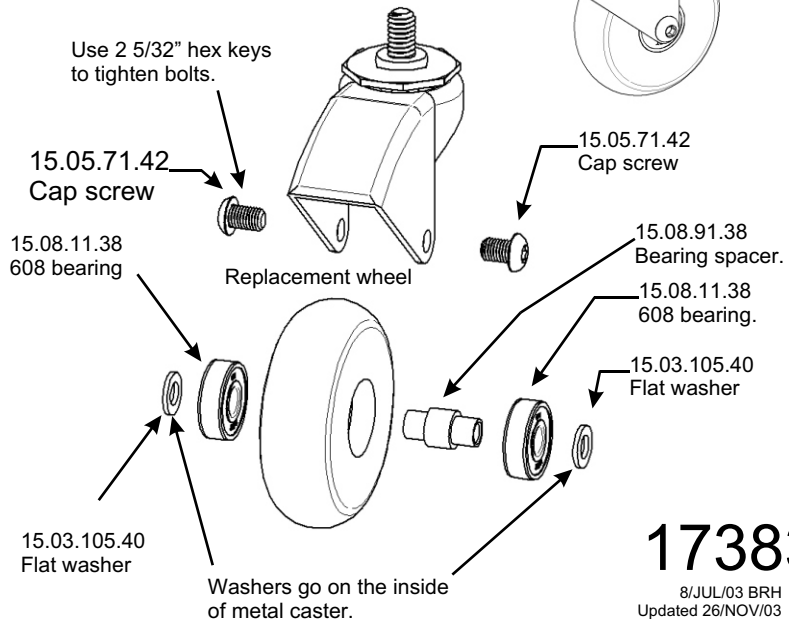
Note: Metal caster is not included, you must reuse your original hardware. For casters with riveted axle, grind off one side and use a punch to remove rivet, or, use a hacksaw and cut rivet off next to wheel (between wheel and caster).



Bearing spacer I.D. has a 5/32" hex for tightening the first bolt.

© 2003 Energy Suspension. All rights reserved.
May not be reproduced, in any form, or by any means, without the written consent of Energy Suspension.

Metal caster not included.



Installation instructions

For 2" / 50mm & 2-3/8" / 60mm
Creeper Wheels

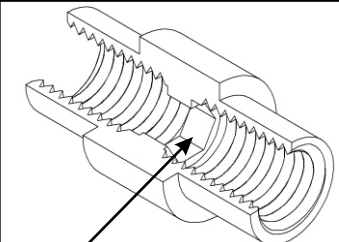


1131 VIA CALLEJON, SAN CLEMENTE, CA 92673

Parts list for 1 wheel only (multiply by 4 or 6, depending on the set you have).

- 1 - Wheel (2" / 50mm or 2-3/8" / 60mm).
- 1 - 15.08.91.38 (Threaded bearing spacer).
- 2 - 15.08.11.38 (608 bearings).
- 2 - 15.03.105.40 (.470" x .260" x .035" washer).
- 2 - 15.05.71.42 (1/4-28 x 3/8" cap screw).
- 1 - 17383 Instructions.

Note: Metal caster is not included, you must reuse your original hardware. For casters with riveted axle, grind off one side and use a punch to remove rivet, or, use a hacksaw and cut rivet off next to wheel (between wheel and caster).



Bearing spacer I.D. has a 5/32" hex for tightening the first bolt.

© 2003 Energy Suspension. All rights reserved.
May not be reproduced, in any form, or by any means, without the written consent of Energy Suspension.

Metal caster not included.

