

Installation instructions

For 2" / 50mm & 2-3/8" / 60mm
Creeper Wheels

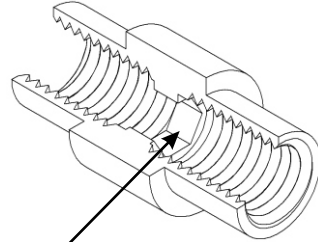


1131 VIA CALLEJON, SAN CLEMENTE, CA 92673

Parts list for 1 wheel only (multiply by 4 or 6, depending on the set you have).

- 1 - Wheel (2" / 50mm or 2-3/8" / 60mm).
- 1 - 15.08.91.38 (Threaded bearing spacer).
- 2 - 15.08.11.38 (608 bearings).
- 2 - 15.03.105.40 (.470" x .260" x .035" washer).
- 2 - 15.05.71.42 (1/4-28 x 3/8" cap screw).
- 1 - 17383 Instructions.

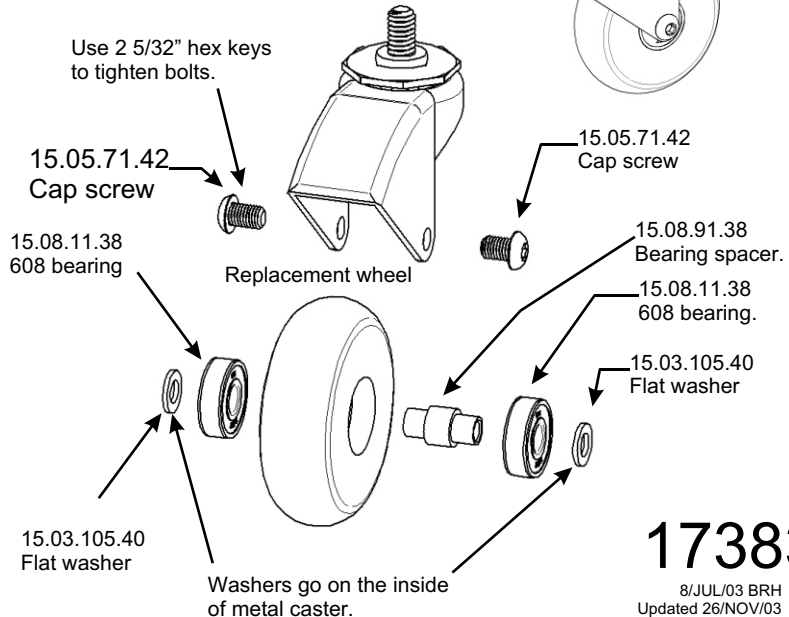
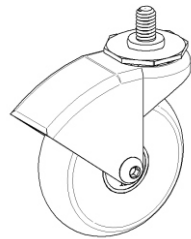
Note: Metal caster is not included, you must reuse your original hardware. For casters with riveted axle, grind off one side and use a punch to remove rivet, or, use a hacksaw and cut rivet off next to wheel (between wheel and caster).



Bearing spacer I.D. has a 5/32" hex for tightening the first bolt.

© 2003 Energy Suspension. All rights reserved.
May not be reproduced, in any form, or by any means, without the written consent of Energy Suspension.

Metal caster not included.



17383

8/JUL/03 BRH
Updated 26/NOV/03 BRH

Installation instructions

For 2" / 50mm & 2-3/8" / 60mm
Creeper Wheels

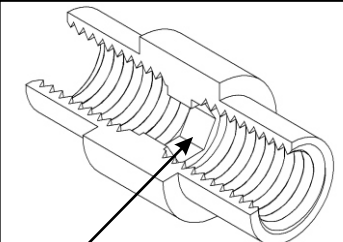


1131 VIA CALLEJON, SAN CLEMENTE, CA 92673

Parts list for 1 wheel only (multiply by 4 or 6, depending on the set you have).

- 1 - Wheel (2" / 50mm or 2-3/8" / 60mm).
- 1 - 15.08.91.38 (Threaded bearing spacer).
- 2 - 15.08.11.38 (608 bearings).
- 2 - 15.03.105.40 (.470" x .260" x .035" washer).
- 2 - 15.05.71.42 (1/4-28 x 3/8" cap screw).
- 1 - 17383 Instructions.

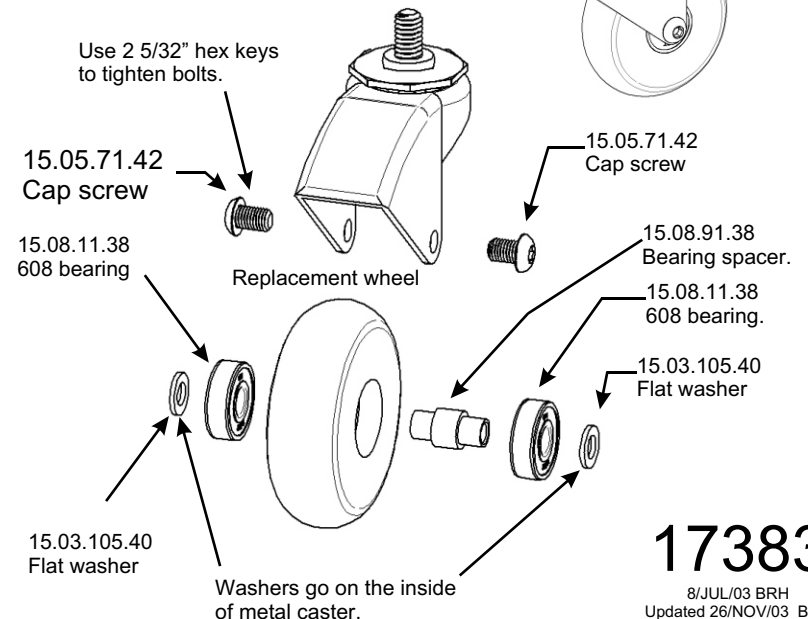
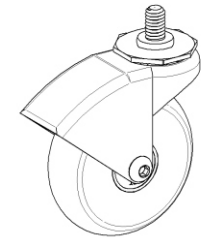
Note: Metal caster is not included, you must reuse your original hardware. For casters with riveted axle, grind off one side and use a punch to remove rivet, or, use a hacksaw and cut rivet off next to wheel (between wheel and caster).



Bearing spacer I.D. has a 5/32" hex for tightening the first bolt.

© 2003 Energy Suspension. All rights reserved.
May not be reproduced, in any form, or by any means, without the written consent of Energy Suspension.

Metal caster not included.



17383

8/JUL/03 BRH
Updated 26/NOV/03 BRH