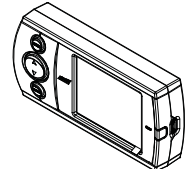
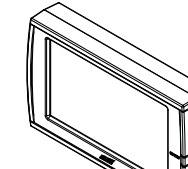
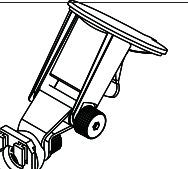
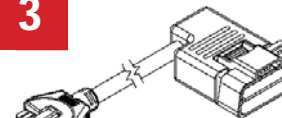
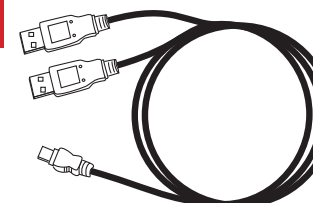


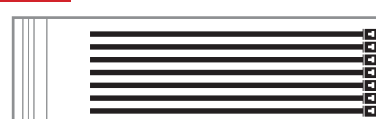
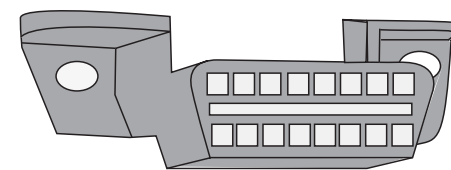


CS/CTS QUICK INSTALL INSTRUCTIONS

| Supplied Items | Suggested Tools |
|---|--|
| <ol style="list-style-type: none"> CS or CTS Device Arkon Windshield Mount OBDII Cable Mini USB Cable CD Alcohol Wipe Zip Tie Packet | <ul style="list-style-type: none"> Flat head screwdriver |
| 1  |  |
| 2  | 3  |
| 4  | 5  |
| 6  | 7  |

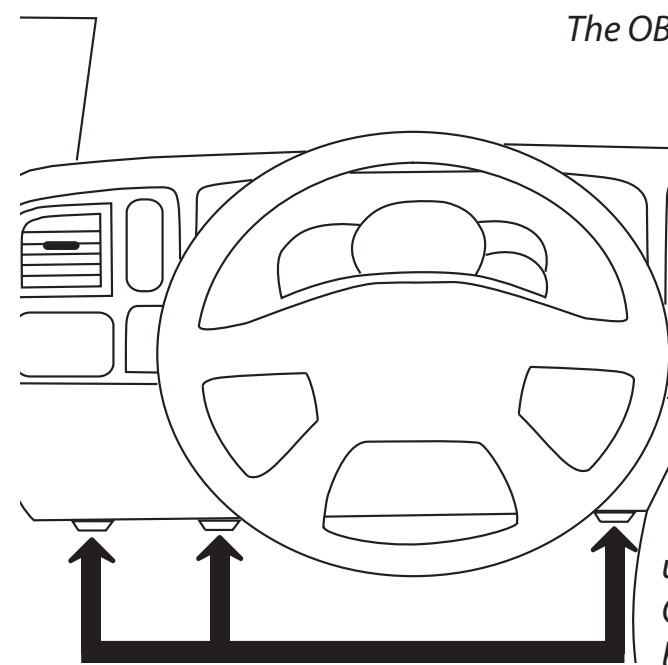
Step 1: Locate the OBDII Port

The OBDII port is a 16-pin connector like the illustration below.



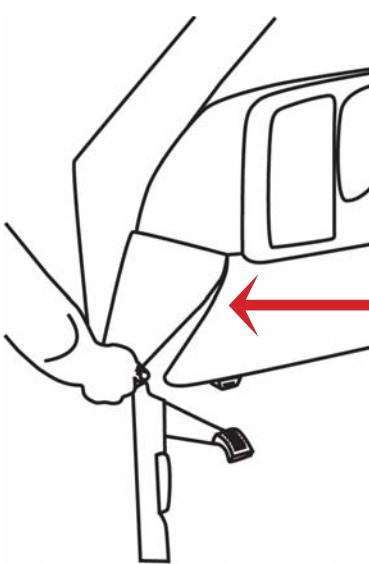
OBDII PORT

The OBDII port is located under the dash below the steering wheel. The OBDII port is placed in different locations under the dash for different applications; refer to the OBDII port location drawing (left) to help you locate your OBDII port. If you are unable to locate your OBDII port, there may be a sticker underneath the steering column that may explain where your OBDII is located.



OBDII LOCATIONS

Step 2: Connect/Route the OBDII Cable



Remove the panel on the side of the dashboard to provide access to route the OBDII cable from the OBDII port up to the top of the dash.

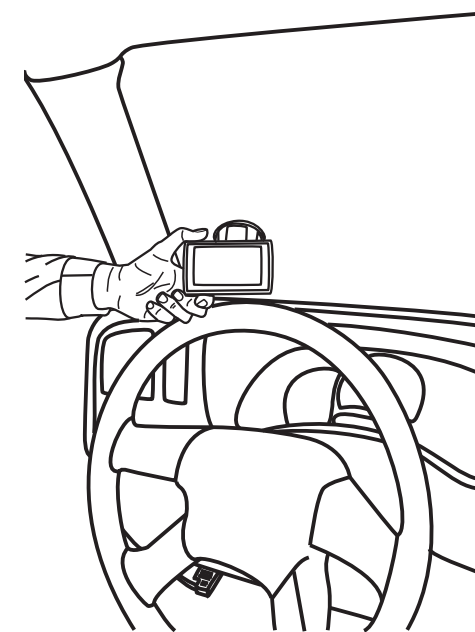
*On some vehicles you may also need to remove the panel directly under the steering wheel.

Once you've removed the necessary panels, connect the OBDII cable to the OBDII port, and route the cable under the dash, out the side panel, up between the door seal trim and the edge of the dash. Tuck the cable back as far as you can as you route it up to the dash.

*Note: Leave 6-10" of cable exposed on top of the dash so you have room to position the device.

Step 3: Position the Device

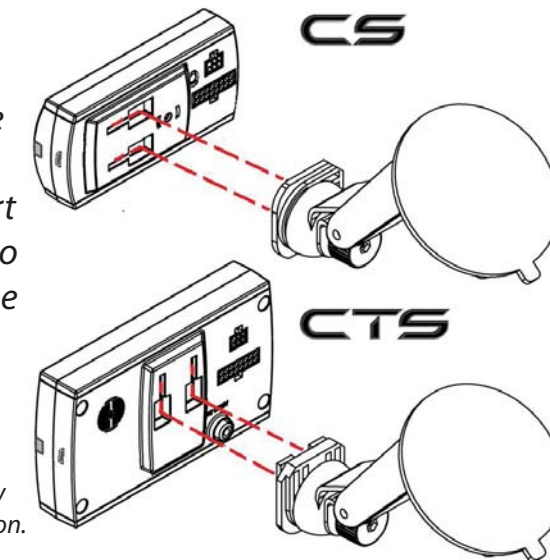
Position the device and the mount on the windshield in the desired location. Pay attention to where the suction cup will mount on the windshield.



Once you've identified the suction cup position on the windshield, use the supplied alcohol wipe to thoroughly clean the area. After you've wiped the area clean, let it dry for 2-3 minutes.

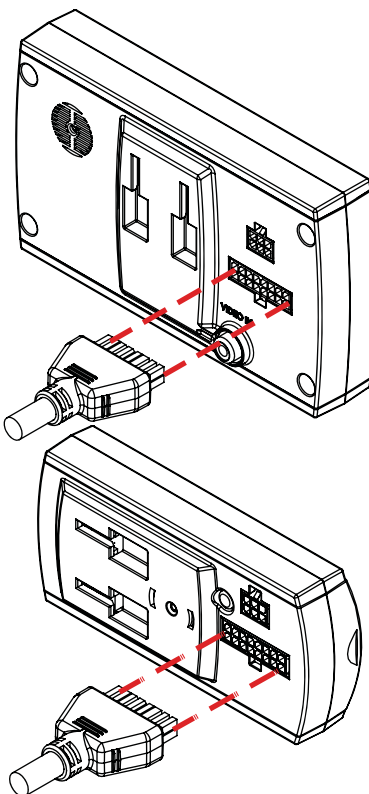
Step 4: Connect the Mount and OBDII Cable

Before you attach the suction cup portion of the mount to the window attach it to the device. Insert the tabs on the mount into the slots on the back of the device and slide up (CTS) or to the side (CS) until it stops.



*The mounting tabs are a tight fit by design to maintain a solid connection.

Next, insert the connector on the end of the OBDII cable into the 16-pin connector on the back of the device (this is easier if done prior to mounting the device on the window). The connector only fits one way so be sure that the locking tab is on the bottom.

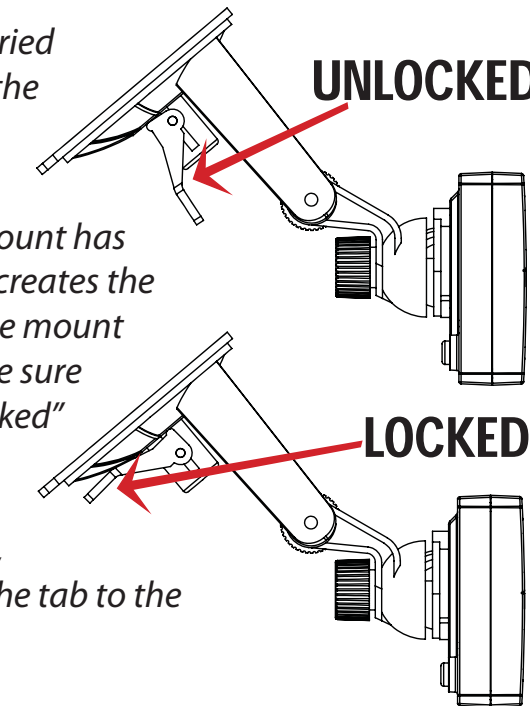


Note: The device will power on automatically when it detects your vehicle has started. If you wish to power up the device without starting your vehicle, ensure the key is in the run position and touch the screen (CTS) or a button (CS).

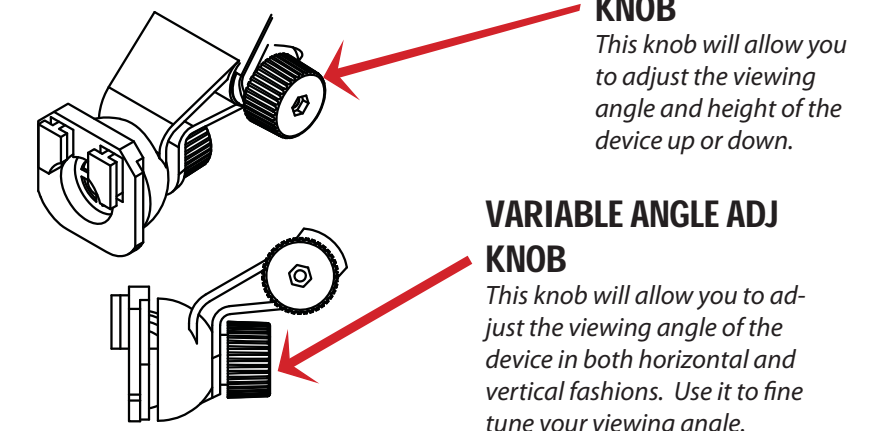
Step 5: Position and Lock the Device on the Windshield

Once the alcohol has dried you're ready to attach the mount to the windshield.

You'll notice that the mount has a locking tab. This tab creates the suction that will lock the mount to the windshield. Make sure the lock is in the "Unlocked" position. Position the mount where you've cleaned the windshield, press firmly, and push the tab to the "Locked" position.



Once you've locked the mount to the windshield, use the adjustment knobs to fine tune the viewing angle and height of the the CTS/CS device.

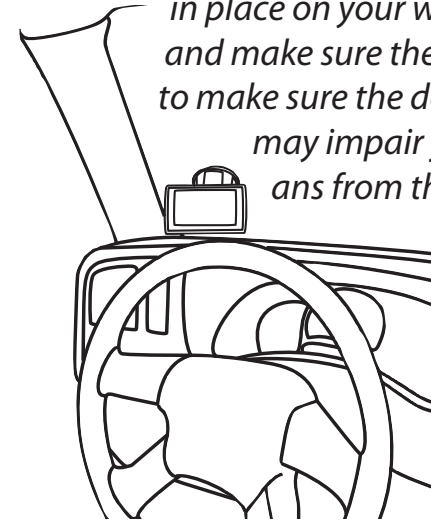


VERTICAL ADJ. KNOB
This knob will allow you to adjust the viewing angle and height of the device up or down.

VARIABLE ANGLE ADJ. KNOB
This knob will allow you to adjust the viewing angle of the device in both horizontal and vertical fashions. Use it to fine tune your viewing angle.

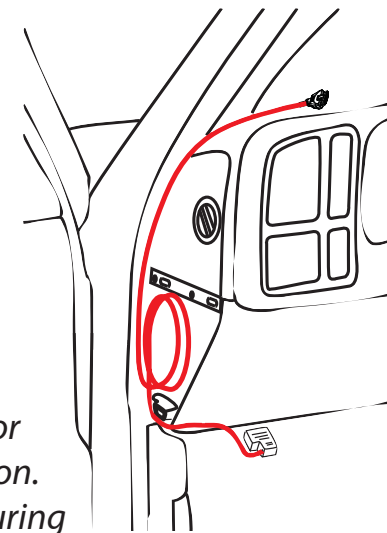
Step 6: Verify Position and Viewing Placement

After you've locked the mount and the CS/CTS device is in place on your windshield, sit back in your drivers seat and make sure the viewing angle is as desired. Check to make sure the device doesn't create a blind spot that may impair your view of the road/traffic/pedestrians from the drivers seat.



*Note: Some states prohibit mounting devices that may obstruct your view. Please check local and state laws to ensure compliance. For alternate mounting options visit www.edgeproducts.com or www.arkon.com

After positioning the device and the mount, remove any slack in the OBDII cable and coil it behind the side panel you removed earlier. Use the supplied zip ties to secure the coiled cable from moving or falling down under the dash, or interfering with pedal operation. Replace all panels removed during installation



For Operating Instructions and trouble shooting please refer to the User Guide found in the folder packet that came with your CS or CTS package. For additional questions not found in the User Guide you can call:

Edge Products Technical Support
Hours Mon-Friday
8:00 a.m. - 5:00 p.m. Mountain Standard Time
1-888-360-EDGE (3343)

CS/CTS DEVICE DESCRIPTIONS



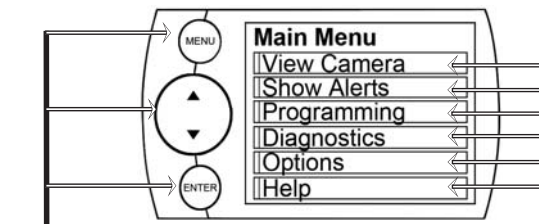
CTS LAYOUT

- Main Menu button** - The main menu button gives you access to the main menu.
- Left Gauge** - The left analog gauge. The displayed parameter for all gauges can be changed by simply touching the gauge and choosing a different parameter from the drop down list. Use this menu to choose a new PID, change alert settings, and choose a new gauge color.
- Power level up/down Arrows** - On the ATTITUDE (with JUICE) these buttons are used to toggle the power level up/down as well as navigation in the menus. On the EVOLUTION and INSIGHT, these buttons may be used for future feature enhancements.
- Alert Indicator** - The alert indicator light will illuminate (red) when an alert limit is exceeded. When this light contains an "R," it indicates that your Diesel Particulate Filter (DPF) equipped vehicle is performing a regeneration cycle.
- Power Level Indicator** - The power level indicator represents the current power level. 0 represents stock. 1 stands for Insight which produces no additional horsepower.
- Back-down Indicator** - (ATTITUDE with JUICE) The back-down indicator light will illuminate (yellow) when the Juice module is decreasing power added by the device, when approaching or exceeding the back-down set point limit.
- Right Gauge** - The right analog gauge.
- Lower Left Gauge** - The lower left digital gauge.
- Center Gauge** - The Center analog gauge.
- Lower Right Gauge** - The lower right digital gauge.

CS LAYOUT

- Up/Down Arrow Button** - On the ATTITUDE (with JUICE) these buttons are used to toggle the power level up/down. On the EVOLUTION, and INSIGHT these buttons may be used for future feature enhancements. In the menus these buttons are used to select the menu items and increase or decrease values.
- Menu Button** - The menu button gives you access to the main menu or can be used to exit out of a menu screen.
- Left Gauge** - The left analog gauge. The displayed parameter for all gauges can be changed by pressing the enter button, choosing the desired gauge, and selecting a different parameter from the drop down list.
- Alert Indicator** - The alert indicator light will illuminate (red) when an alert limit is exceeded. When this light contains an "R," it indicates that your Diesel Particulate Filter (DPF) equipped vehicle is performing a regeneration cycle.
- Power Level Indicator** - The power level indicator represents the current power level. 0 represents stock. 1 stands for Insight which produces no additional horsepower.
- Back-down Indicator** - (ATTITUDE with JUICE) The back-down indicator light will illuminate (yellow) when the Juice module is decreasing power added by the device, when approaching or exceeding the back-down set point limit.
- Right Gauge** - The right analog gauge.
- Enter Button** - The enter button when pressed from the main screen will allow you to change the gauge parameters (PID, Alert Settings, and Gauge Color). In the menus it allows you to select the highlighted option.
- Center Gauge** - The center gauge.

CS/CTS MAIN MENU



MENU NAVIGATION BUTTONS

Both the CS and CTS devices provide you with the following three buttons for navigating the menu system:

Menu: The Menu button allows you to enter the main menu (CS only). Once you are in the menu system you'll use the Menu button to return to the previous screen.

UP/Down Arrow: The Up/Down Arrow buttons will allow you to toggle up or down through the menu options. Each option will be highlighted as you toggle.

Enter: Pressing the Enter button will select the currently highlighted option.

*Note: With the CTS device you can simply touch the option you'd like to select on the menu screen. As a touch screen device it will automatically select the option you've touched and advance you to the selected option screen.

THE MAIN MENU CONSISTS OF SIX OPTIONS:

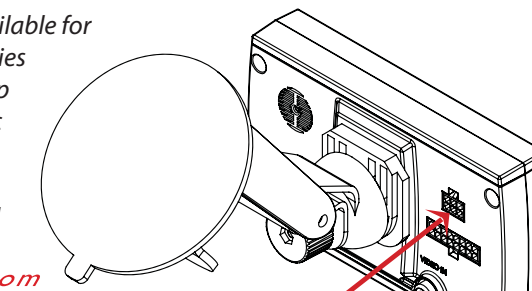
- View Camera** - This gives you access to the camera if installed on your vehicle. (CTS only)
- Show alerts** - This item shows the alert grid screen. *NOTE: This menu only appears when there is an alert active
- Programming** - This allows you to program the vehicle to one of the pre-tuned levels included only with the Evolution.
- Juice Control** - This gives you access to the power and drive train performance options through the Edge Juice only with the Attitude.
- Diagnostics** - This gives you the ability to retrieve and clear trouble codes, as well as other diagnostic functions depending on vehicle.
- Options** - This gives you access to multiple device settings (i.e. alert settings, sound duration, backlight-autodim etc).
- Help** - This is used to display product information, vehicle information, technical support tools, and contact information.
- Hot Unlocker** - This allows you to add a HOT power level. (Attitude only)

CS/CTS ACCESSORIES

Multiple accessories are available for the CS/CTS device. Accessories include EGT sensors, back-up camera, and vehicle-specific custom mounting solutions.

For more information and pricing please visit www.edgeproducts.com

COPYRIGHT © 2010 REV 01



ACCESSORIES PORT
VIDEO IN PORT (CTS ONLY)

CS/CTS QUICK INSTALL GUIDE



EDGE
PRODUCTS

EDGE
PRODUCTS

www.edgeproducts.com