



11104 FLOWTECH I® STANDARD FINISH
31104 FLOWTECH II® CERAMIC FINISH

1978-87	CHEVY CHEVELLE/EL CAMINO	265-400
1978-87	CHEVY MONTE CARLO*	265-400
1978-87	OLDS CUTLASS	W/CHEVY 265-400
1978-87	PONTIAC GRAND PRIX	W/CHEVY 265-400
1978-87	PONTIAC LE MANS	W/CHEVY 265-400

* = DOES NOT FIT WITH MANUAL TRANSMISSION ON MONTE CARLOS.

We realize that you had many choices when you chose your headers, and we thank you for choosing ours. At FLOWTECH we put many years of performance exhaust experience into every product we build. We feel and know you will agree that FLOWTECH Headers are the best you can buy at any price.

As a result of the restricted room available in some engine compartments, you may experience a close fit to some body and chassis components. This is a normal condition. If this is your first time installing a set of headers, it may be time consuming. While not complex, stick with it. As soon as you start your engine, the reward of additional horsepower and performance will be well worth your efforts. Proper installation and periodic maintenance will result in maximum performance and life from your FLOWTECH Headers.

READ THESE INSTRUCTIONS CAREFULLY BEFORE STARTING:

For ease of installation, your vehicle must be raised a minimum of 36". Warning: should you decide to install any exhaust product yourself, be warned that the original equipment jack that came with the vehicle is intended for emergency use only. The use of a frame jack in conjunction with a floor jack as main support is highly recommended to minimize the accidental dropping of a vehicle while the installation proceeds. Never go under any vehicle that is supported by only a bumper jack!

LEFT SIDE:

1. Disconnect the battery to prevent accidental damage to the electrical system.
2. Unbolt the headpipe from the stock exhaust manifold and move aside. Remove the stock exhaust manifold.
3. Remove the spark plugs, alternator, clutch linkage, oil filter, and dipstick tube. On air conditioned vehicles, unbolt the compressor and lay aside. For late model vehicles, unbolt the power steering bracket.
4. Starting from below, work the header up through the chassis into position.

INSTALLATION NOTE: On some model years, it may be necessary to remove the struts that bolt to the sub frame, see illustration "A".

5. Place the gasket into position and start all mounting bolts doing the most restricted ones first.

INSTALLATION NOTE: If vehicle is equipped with a smog pump and you wish to retain the air injection, use FLOWTECH air pump manifold weld-in kit, P/N 10125.

6. Replace the spark plugs, alternator, clutch linkage, oil filter, and dipstick tube. On late model vehicles equipped with power steering, please refer to illustration "B" prior to mounting.

INSTALLATION NOTES:

- Early model engines will require converting canister oil filter to screw-in style oil filter.
- Modify the original clutch linkage as recommended in illustration "C".
- To install the alternator, it may be necessary to use FLOWTECH adapter brackets #10031 and/or 10032. See illustration "D" if you have chosen to use FLOWTECH air pump manifold weld in kit #10125 see illustration "E".
- Air conditioned vehicles may require purchase of FLOWTECH adapter bracket #10042.

RIGHT SIDE:

1. Remove the sparks plugs, starter, and stock exhaust manifold.
2. Starting from below, work the header up through the chassis into position. Some years may require the engine to be raised slightly (Use a board between the jack and the oil pan).
3. Place the gasket into position and start all mounting bolts doing then most restricted ones first.

INSTALLATION NOTES:

- If vehicle is equipped with a smog pump and you wish to retain then AIR injection, use FLOWTECH air pump manifold weld-in kit, P/N 10125.
 - Late model vehicles with the smog pump connected to the stock exhaust manifold will need to weld a piece of ¾" OD tubing to the reducer or collector. Drill a hole on the collector or reducer, and then weld tubing in place according to illustration "F". Cut tubing coming out of the air pump so that a length of ¾" neoprene hose can be slipped onto it. Connect to the reducer or collector.
4. Replace the starter and connect the wires. Reroute the wires as needed for maximum header clearance.
 5. Tighten all bolts evenly and replace the sparks plugs. Reroute spark plug wires for maximum header clearance.
 6. Connect your headers to the exhaust system. Cut the headpipe to the correct length and weld to the reducers.
 7. Connect the battery, start the engine, and check for leaks. Check to be sure all brake lines, fuel lines, and electrical wiring have proper clearance. Reroute as necessary.

When you have finished installing your FLOWTECH headers, take the vehicle for a road test. Listen carefully for any exhaust leaks or other strange noises and make corrections. When the vehicle has been driven for a few days, retighten the header bolts. We find that periodically checking the bolts will prevent the flange from warping and the burning out of the header gaskets.

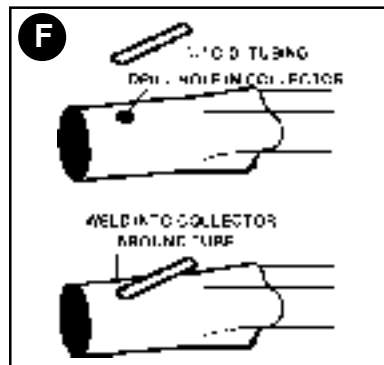
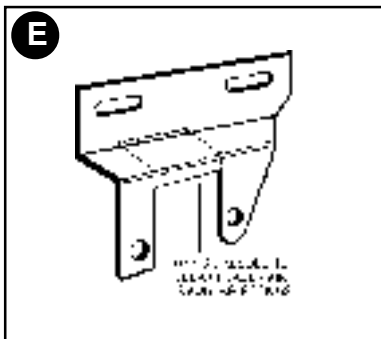
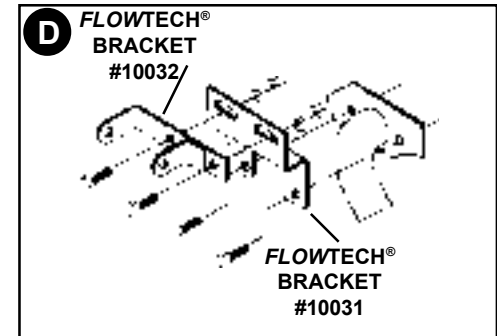
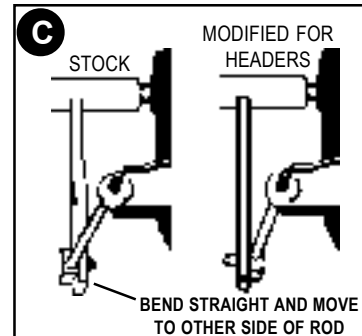
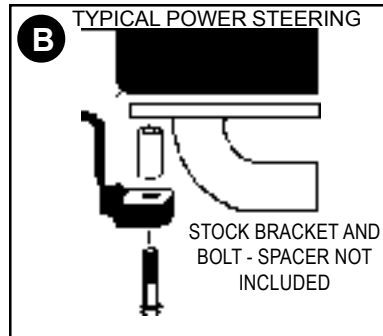
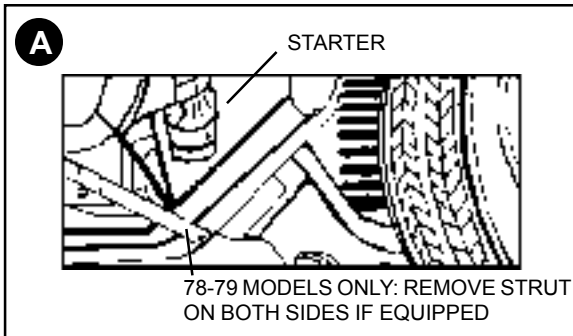
How did we do? Your questions and comments are always welcomed at FLOWTECH. Our technical services department is open Monday through Friday, during the hours of 8:30 AM until 4:30 PM central time. We can be reached at:

1801 Russellville Road • Bowling Green, KY 42102

PHONE 270-781-9741 • FAX 270-781-9772

flowtech@support.holley.com

P/N 11104 - REVISED 01/09/01



FLOWTECH[®]

by **Holley**

THE PERFORMANCE EXHAUST COMPANY™
 1801 Russellville Road • Bowling Green, KY 42102
 PHONE 270-781-9741 • FAX 270-781-9772
flowtech@support.holley.com

LIMITATION OF LIABILITY - DISCLAIMER: The regulation of emissions production, noise levels and safety standards is undertaken by the federal government, each of the fifty state legislatures, and by many local municipalities, towns and counties.

FLOWTECH by Holley makes no warranties of merchantability, of fitness for particular purpose, or that its products are approved for general use, or that its products comply with laws, regulations, or ordinances in the states where they may be sold to the ultimate purchaser, the consumer.

Unless expressly stated to the contrary in the *FLOWTECH* catalog instruction sheet or price list, the entire risk as to the conformity of any company product in any such state and as to repair should the product prove to be defective or nonconforming, is on the retail purchaser, the buyer, the ultimate consumer, of such product and it is not upon the seller, distributor or manufacturer.

In the connection retail purchaser, the buyer, the ultimate consumer assumes the burden of the entire cost of any and all necessary service, alterations or repair.

The foregoing statement limits the liability of the manufacturer. California vehicle code sections 27156 and 38391 prohibit the advertising, offering for sale, or installation of any device which modifies a vehicle's emissions control system unless exempt and unless otherwise noted, *FLOWTECH* headers have not received an exemption from these code sections and are not legal for sale or use in California on vehicles originally equipped with catalytic converters. It is illegal, except for racing vehicles, which may never be driven upon a highway, to remove or otherwise render inoperative any emission control device on regulated motor vehicles (Check catalog listings to insure proper application). In the other 49 states, unless otherwise noted, *FLOWTECH* headers are not legal for pollution controlled motor vehicles, except for racing vehicles which may never be used upon a highway and are not intended or applicable for highway use.