

FLOWMASTER™

FORCE II™ SYSTEM #17132 1987-1996 FORD BRONCO 5.0 L, 5.8 L, ENGINES

3/16/04

Removal:

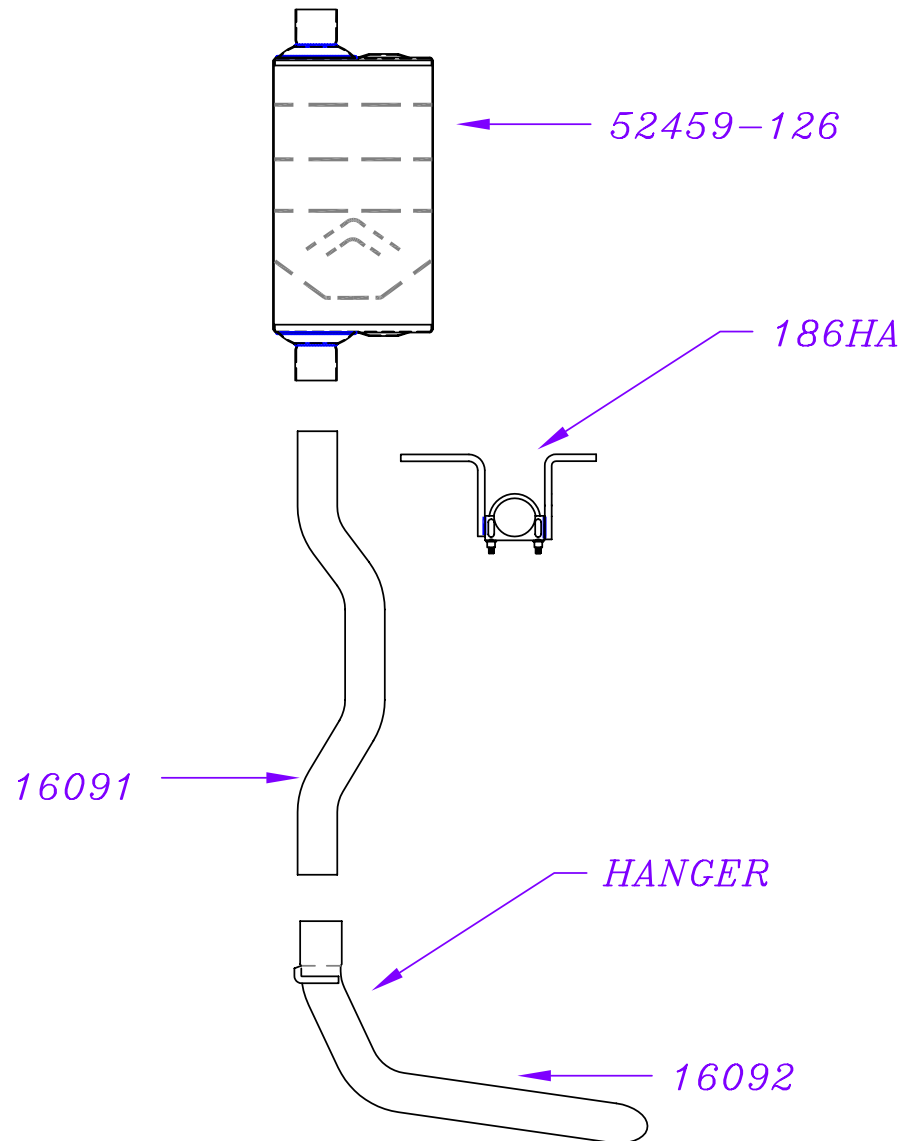
- 1.) Raise the vehicle and support securely with jack stands.
- 2.) Apply a penetrating lubricant to muffler clamp nuts at the catalytic converter connection, and the three rubber hangers that support the rear of the system. (This will greatly ease the removal)
- 3.) With a 15-mm wrench, remove the muffler clamp at the catalytic converter to muffler connection.
- 4.) Put a stand under the rear of the system to support it when the rubber hangers are disconnected.
- 5.) Using a pry bar, disconnect the two rubber hangers above the muffler and the one rubber hanger at the rear of the tailpipe.
- 6.) Slide the system back to separate the muffler from the catalytic converter. It may be helpful to heat the connection with a torch to loosen it. USE EXTREME CAUTION.
- 7.) Remove the system from under the vehicle.

Installation:

- 1.) Connect the Clamp/hanger assy. #186HA to the rubber mounts in the muffler location on the vehicle. (The long side of the assembly should be connected to the left side mount.)
- 2.) Raise muffler #52459-126 into position and connect to the outlet of the catalytic converter. (Be sure to install with the inlet forward.) Connect the previously installed hanger assembly with the muffler outlet to support it. Install a 2¼" clamp on the inlet end of the muffler, and tighten lightly.
- 3.) Place pipe #16091 in position over the rear axle. Slip into the rear of the muffler.
- 4.) Slip pipe #16092 onto the rear of #16091, and connect the hanger to the rubber mount. Install a 2 ½" clamp and tighten lightly.
- 5.) Adjust the position of the pipes and muffler to achieve a satisfactory fit. (The muffler will fit at an angle.) Be sure to allow adequate clearance for suspension travel, vibration etc.
- 6.) Tighten down all clamped connections securely. Then slide the provided hanger keepers onto the hangers, to prevent them from sliding out of the rubber mounts.

FLOWMASTER FORCE II SYSTEM #17132

1987-96 FORD BRONCO
5.0L AND 5.8L V-8 ENGINES



PACKING LIST

| QTY. | PART# | DESCRIPTION |
|------|-----------|---------------|
| 1 | 52459-126 | MUFFLER |
| 1 | 16091 | OVERAXLE PIPE |
| 1 | 16092 | EXIT PIPE |
| 1 | PK318 | PART KIT |
| 1 | MC214S | 2-1/4" CLAMP |
| 1 | MC250S | 2-1/2" CLAMP |
| 1 | 186HA | CLAMP/HANGER |
| 3 | 7/16" | HANGER KEEPER |