



Installation Instructions

717990

1999-06 GM 1500

V6 & V8

2/4 Wheel Drive, 143.5 Wheelbase

Crew Cab 5.5' & Extra Cab 6.5'

OVERVIEW:

1. Take a moment to read and understand these instructions before installing your Flowmaster performance system.

NOTE: Please inventory all parts now before continuing and if necessary, report any missing items to our tech line. This will avoid potentially stranding your vehicle until any missing replacement parts arrive.

ITM #	PART #	DESCRIPTION	QTY.
4	MC300BS	3" Stainless Band Clamp	1
5	MC250BS	2½" Stainless Band Clamp	2
6	HA2126	Muffler Frame Hanger	1
7	HA572	Universal Bracket	1
8	HA226	Backing Plate	1
9	HW204	⅝"-18 x 1 Bolt	2
10	HW308	⅝" Lock Washer	2
11	HW102	⅝"-18 Nut	2
12	HW208	⅝"-16 x 1 Bolt	1
13	HW103	⅝"-16 Nut	1
14	HW309	⅝" Lock Washer	1

ITM #	PART #	DESCRIPTION	QTY.
1	26858M	Inlet Pipe Assy	1
2	72198-Z	FFX Muffler	1
3	86705M	Exit Pipe Assy	1
N/A	PK1069	Hardware Package includes:	1

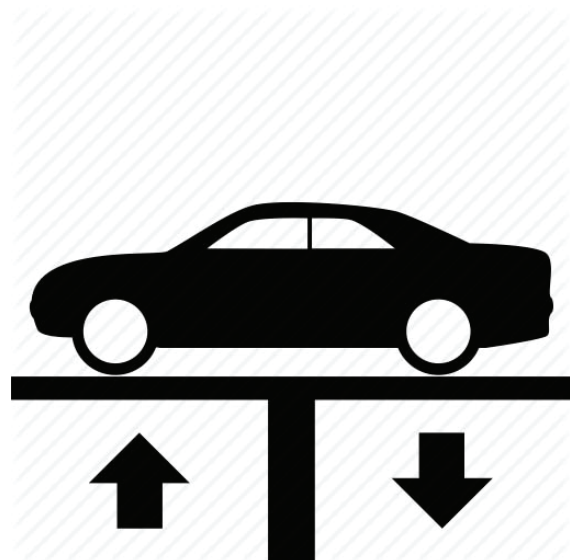
REMOVE STOCK EXHAUST SYSTEM:

2. Raise vehicle up on a hoist or rack to working height. If you don't have access to a hoist or rack, support vehicle with jack stands.

WARNING:
Avoid serious burns! Allow your vehicle time to cool completely before touching any factory engine components.

To ease preparation and installation of your new kit:

- Apply penetrating lubricant to mounts, bolts and clamps before you remove them.
- Use stands as necessary to support parts as you detach them from your vehicle and again as you install new parts.



3. Cut tailpipe at muffler exit. Disassemble hanger wires from isolators and remove tailpipe section from vehicle.



4. Support muffler and disassemble remaining wire hanger from isolator. Then remove and retain (x2) fasteners at muffler to catalytic flange connection and remove exhaust system.



INSTALL FLOWMASTER EXHAUST SYSTEM:

5. Remove nuts from stock and Flowmaster clamps, apply anti-seize compound to bolts and re-install nuts.

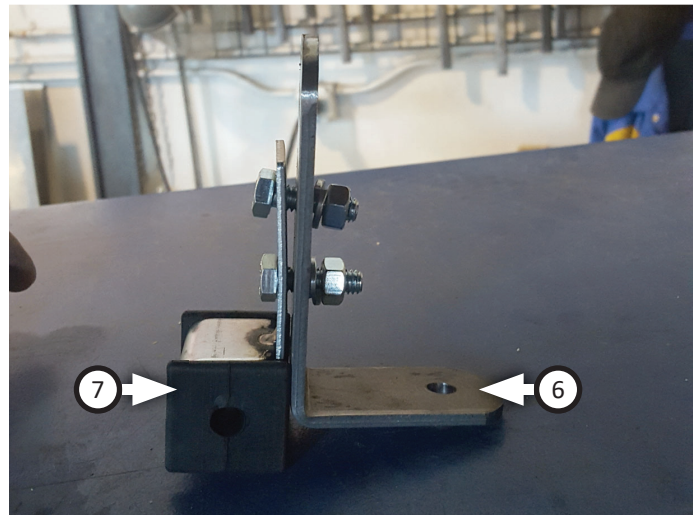
NOTE: The image in this step is intended for illustrative purposes only and may or may not accurately reflect components included in your kit.

6. Each muffler connections must seat 2" deep. Mark them accordingly so your Flowmaster exhaust system fits properly onto your vehicle.



7. Fasten **bracket (7)** to **muffler frame hanger (6)** with (x2 ea.) **bolts (9)**, **lock washer (10)** and **nuts (11)**.

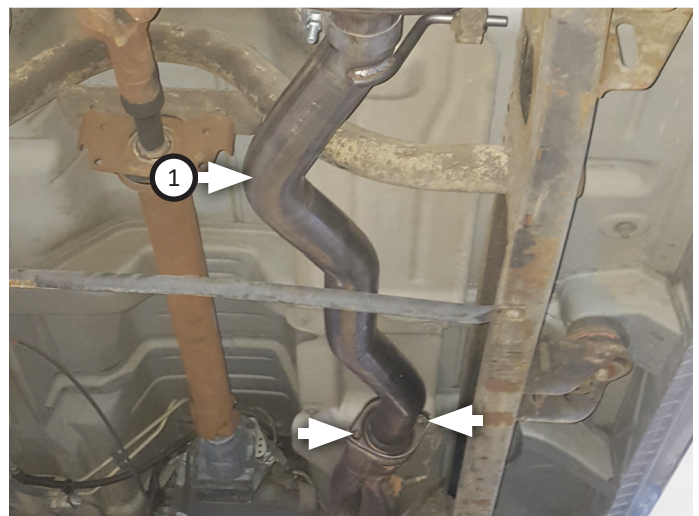
NOTE: Adjust bracket according to what vehicle you are installing this kit on. 4WD VEHICLES- Fasten bracket to top two holes in frame hanger. 2WD VEHICLES- Fasten bracket to bottom two holes in frame hanger.



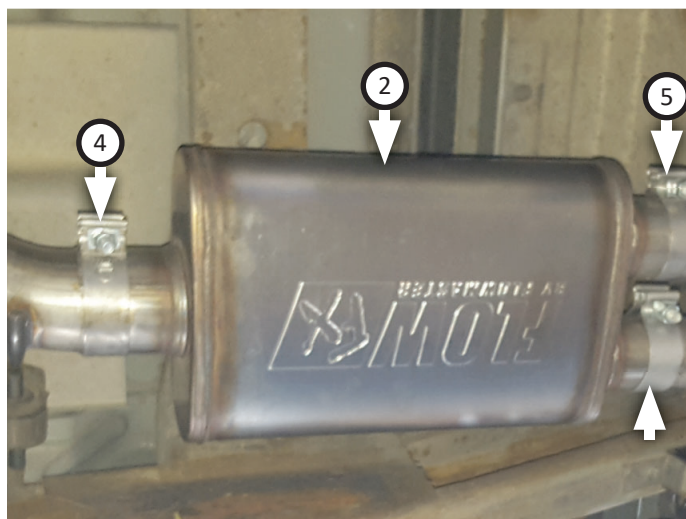
8. Place **backing plate (8)** over slotted hole in vehicle frame (forward of right rear tire). Fasten frame hanger in place using **bolt (12)**, **lock washer (14)** and **nut (13)**.



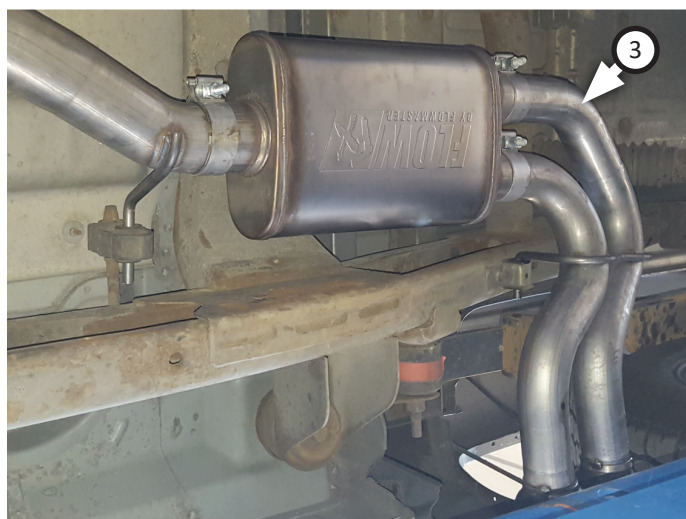
9. Connect **inlet pipe (1)** to flange using fasteners (removed step 4) and hang wire in isolator.



10. Place **clamp (4)** onto **muffler (2)** then connect it to inlet pipe. Tighten clamp just enough to allow for adjustment then place (x2) **clamps (5)** onto muffler outlets.



11. Connect **exit pipe (3)** to muffler and insert wire hanger into isolator. Tighten clamps just enough to allow for adjustment.
12. Adjust exhaust components for fit; maintaining 1/2" clearance and compensating for suspension, travel and vibration then tighten all clamps.
13. Recommended: Secure slip-fit connections with a 1-inch tack weld then spray high-temp paint over each weld to prevent rust and premature corrosion.



Congratulations, the installation of your FLOWMASTER performance exhaust system is now complete!





Installation Diagram
717990
1999-06 GM 1500
V6 & V8
2/4 Wheel Drive, 143.5 Wheelbase
Crew Cab 5.5' & Extra Cab 6.5'

