

Input Voltage	2ft Base Wattage	3ft Extension Wattage
12V DC	24 watt	34 watt

## Warranty and Disclaimer

**Within THREE years after the purchase date, the original buyer** may return any NiteStix product that has failed due to a defect in materials or workmanship.

Installation of this product must be performed by a licensed professional. Should the failure of the product be the result of damage occurring as a result of improper installation, alteration of the product or an act or omission on the part of the consumer, this warranty is void. XKGLOW Lighting shall not be responsible for any consequential damages which arise from the use and/or installation of the product. If the kit is installed in any manner other than specified, XKGLOW Lighting reserves the right to deny any warranty claims at the discretion of the technical support department. Any product return must include the original packaging, invoice number and a statement of the alleged defect. Upon receipt of the returned product, the company will test the product for defect. If the results of the testing do not support the warranty claim, do not reveal any defect or indicate consumer negligence in the installation and handling of the product, then the product will be returned to you and you will be charged a reshipping fee. If the product is returned from an address within the continental United States, within the first 30 days after purchase, and is found to be defective, XKGLOW Lighting will exchange or refund the original purchase expense. This offer does not extend to the cost for shipping charges on any international packages.

## Additional Disclaimer Terms

Please check your local and state laws for the proper use of this product.

- Improper installation of electrical products such as lighting may cause damage to any vehicle or device to which the improperly handled or installed lighting is attached.
- Improperly installed product may cause electrical injury to persons.
- It is recommended that the kit should be installed by a licensed professional.
- XKGLOW assumes no liability for the installation of the product.
- Warranty or liability will not exceed the product purchase price, which shall be buyer's sole and exclusive remedy.

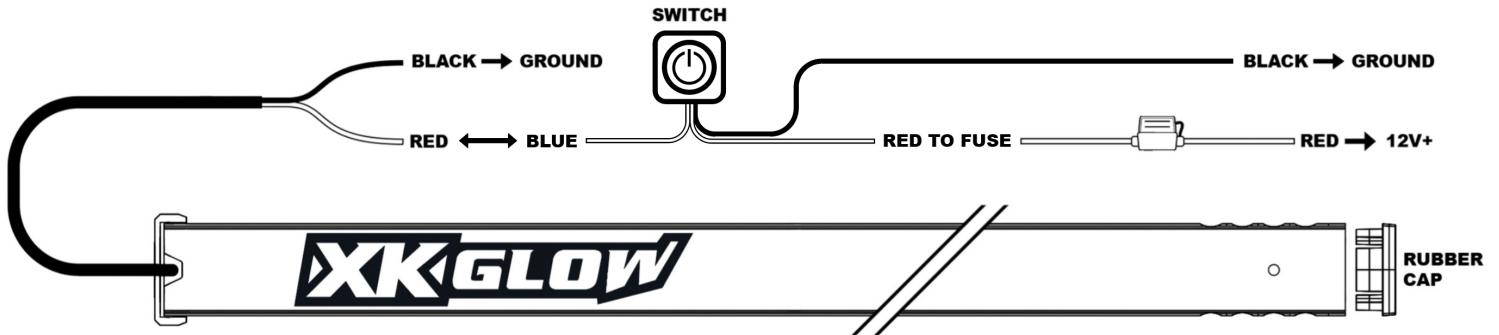
## Return/Exchange Procedure

1. Email [xk@xkglow.com] to notify us of the product issue as well as the item number and name of customer on invoice.
2. We will send you the trouble-shooting guide to fix the issue, or to narrow down which of the component(s) need to be replaced. If the issue still exists, we will ask you to send back the defective items to be replaced.
3. Please send the returned item as instructed, along with claims and a telephone number where you can be reached.
4. After the returned item(s) have been accepted and inspected, we will issue a refund or replace the items ASAP. For refunds, item(s) must be sent to XKGLOW within 14 days from date of purchase. Original shipping charges are not refundable.

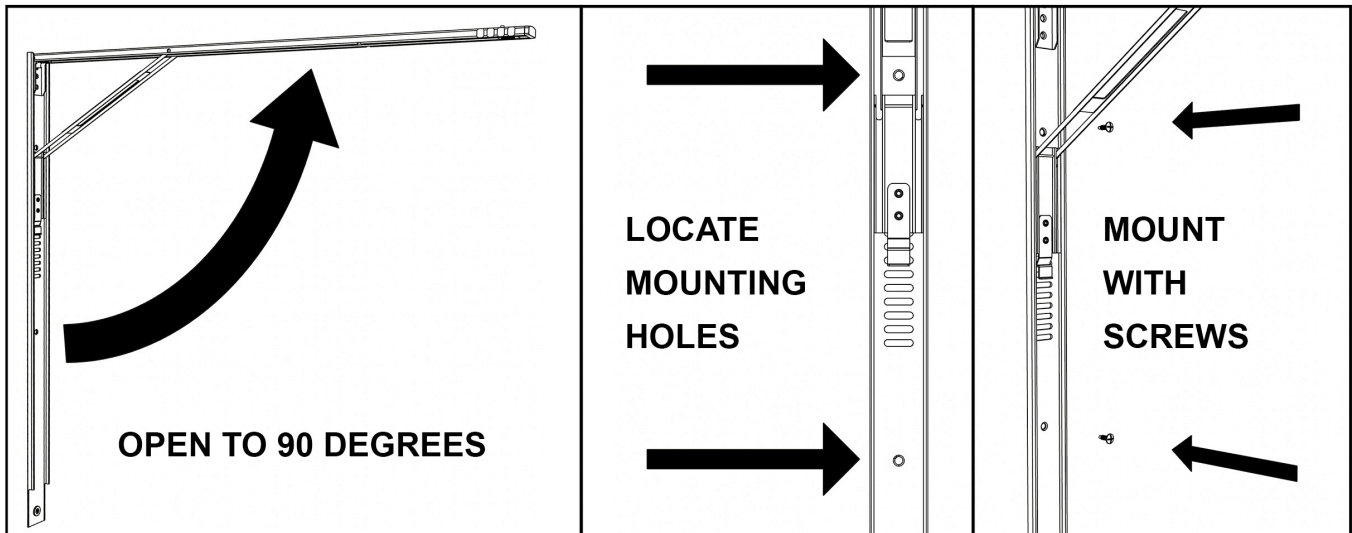
We always stand behind our products and are committed to our customers! For questions you may have, please contact [xk@xkglow.com](mailto:xk@xkglow.com). We normally respond within 24 hours. (Monday-Friday).

## Mounting Instructions

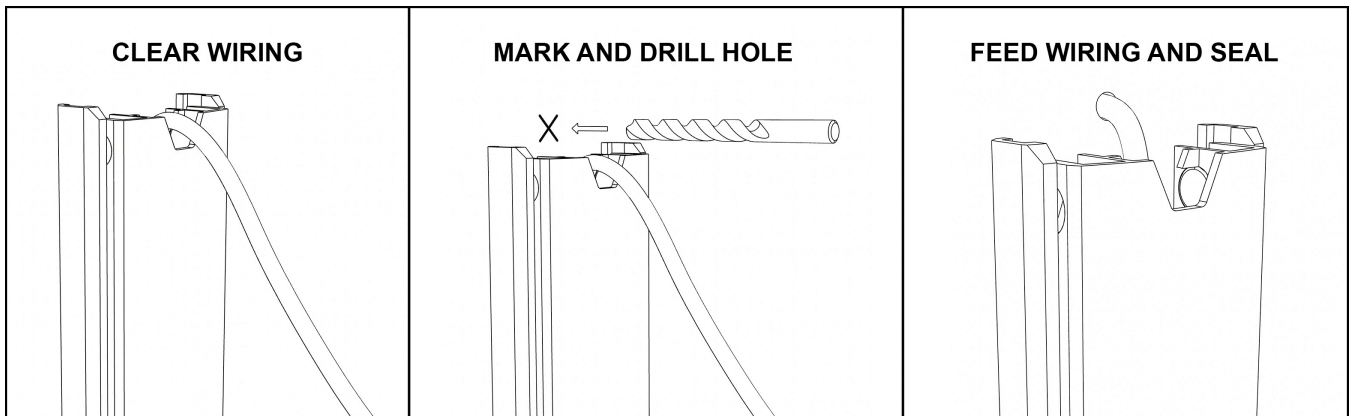
- Test all components before mounting:** As shown below, connect ALL light units together and connect them to the switch wiring harness. Connect the RED battery terminal to the POSITIVE pole of 12V DC power supply. Connect the BLACK battery terminal to the NEGATIVE pole. Power on the switch to test the lights. If the lights show any defects, please contact us and we will be happy to replace them for you.



- Choose mounting location:** Determine desired mounting location for NiteStix base. The base must be mounted to a perfectly flat surface approximately 24 inches in length. Clean mounting location so that it is free from dust and debris.
- Mount NiteStix Base:** Open the NiteStix base to about 90 degrees. Hold the NiteStix base up against the desired mounting surface and slide into the correct position. Locate the two mounting holes on the back surface of the base. Utilizing the included self-tapping screws, secure the NiteStix base to the surface. Ensure that the base is straight and that the wiring is free and clear before tightening the screws



- Route Wiring:** Next, route the power wire from the NiteStix base. First, move the wiring out of the way to make room for drilling a hole. Using a ¼ inch drill bit, mark and drill a hole as shown below. Check behind the surface before drilling to make sure nothing can get damaged. Once the hole is drilled, feed the wiring through. Seal both the inside and the outside with RTV silicone (not included) to keep water out.

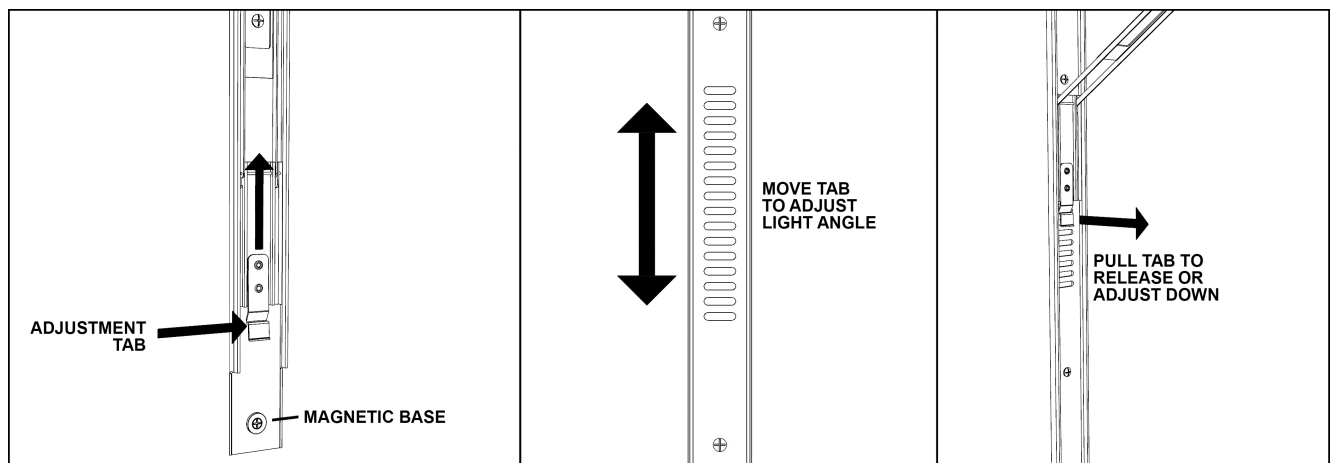


- Install Switch:** Install the switch in a dry and convenient location using the provided double sided tape. Clean mounting surface with rubbing alcohol to remove any dust or debris for proper adhesion. Following the diagram on Page 2, connect the **RED** wire from the NiteStix base to the **BLUE** wire on the switch using the provided butt connectors. Connect the **RED** wire from the switch to the included in-line fuse. Then, connect the other end of the in-line fuse to positive 12V. Last, connect the **BLACK** wire from the NiteStix base **AND the switch** to the ground of your power supply. If you purchased our optional 110V power supply, connect the in-line fuse to the **POSITIVE** terminal and connect the **BLACK** wire from the NiteStix base to the **NEGATIVE** terminal.

To use the included butt connectors, strip back about 3/8 inch of each wire. Slide one wire in each end of the connectors until the bare wires press together. Using a heat gun, heat the center section of the connector until the solder (silver) and sealant (blue) melt in place. This creates a strong and waterproof connection. Repeat for each wire connection.

## Angle Adjustment

To adjust the angle of the NiteStix upward, simply open the light and lift it into place. The adjustment tab will lock into each adjustment notch as you move it upward. The adjustment notches allow for flexible and quick adjustments for different applications. To move the light downward or to close it, pull outward on the bottom of the adjustment tab **WHILE** securing the weight of the light with your other hand. Failure to do this may cause the light to fall quickly damaging the light or causing harm to you or someone else.



## Expanding Instructions

If you purchased the **Advanced** or **Pro** NiteStix Kit, the 2ft lighted base is expandable via quick snap connections. First, you will need to remove the black rubber end cap from the NiteStix base. Next, take the 3ft NiteStix extension and snap it into place. You may need to press down the quick snap pin on the base to get the extension to slide on. Push until the quick snap pin on the base snaps into the hole on the extension. If you have the **Pro** Kit, repeat the steps with the second 3ft extension. Finally, reinstall the black rubber end cap at the end of the NiteStix for a weather tight seal. Then lift the light to your desired angle.

## Storing NiteStix

When it's time to put NiteStix away, follow the Expanding Instructions in reverse order. Adjust the light angle down, remove the rubber cap from the end, and remove each 3ft extension by pressing down on the quick snap pin and pulling away from the base. Reinstall the black rubber end cap onto the NiteStix base for a watertight seal and close the light. Ensure that the light is fully closed against the magnet before moving the trailer or vehicle on which it is mounted.

