

INSTALLATION INSTRUCTIONS

For THE CHIEF - Model 846

Your choice of Wolo's THE CHIEF Air Horn is the perfect choice to compliment any emergency vehicle providing an extra level of powerful warning sound to clear the right-of-way. The Wolo name, is your guarantee of a superior horn made with the finest material and precision workmanship to assure years of dependable service. Our technicians are available to answer your questions, Monday through Friday from 8 AM to 4 PM EST at 1-888-550-HORN (4676).

AIR HORN INSTALLATION

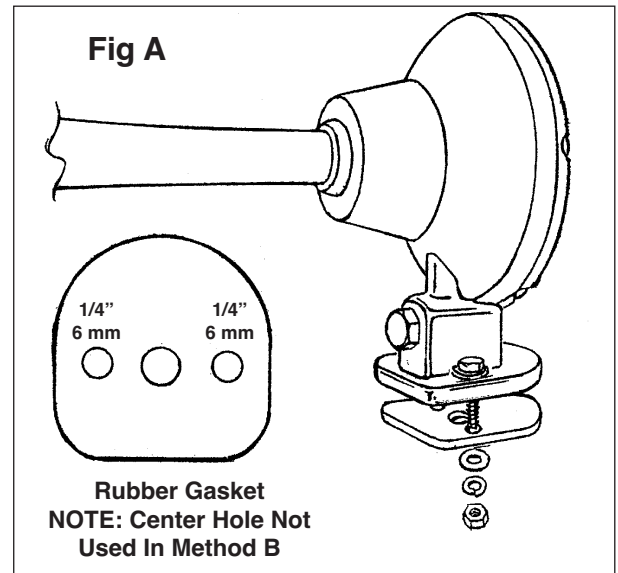
Before installing THE CHIEF you will need to determine which of the two air inlets is the most suitable for your installation. See below Method A or Method B.

METHOD A. (Fig. C.) Is the recommended method for a roof mount installation using the flexible inlet hose (provided), connecting to the horn's air inlet located at bottom base plate.

METHOD B. (Fig. D) Using the air inlet located at the front base. **IMPORTANT:** For method B you will need to install the screw plug into the horn's air inlet located at the bottom base plate before the horn is secured to the vehicle.

1. Locate the desired area you wish to mount THE CHIEF air horn. For best results, the front of the horn should be unobstructed so that the horn's sound can project straight ahead. Use the horn's gasket as a template, mark hole locations and drill to size. See Fig. A.

IMPORTANT: For method B mounting: only drill the two-(2) 1/4" screw holes, (the 7/16" hole is not required).



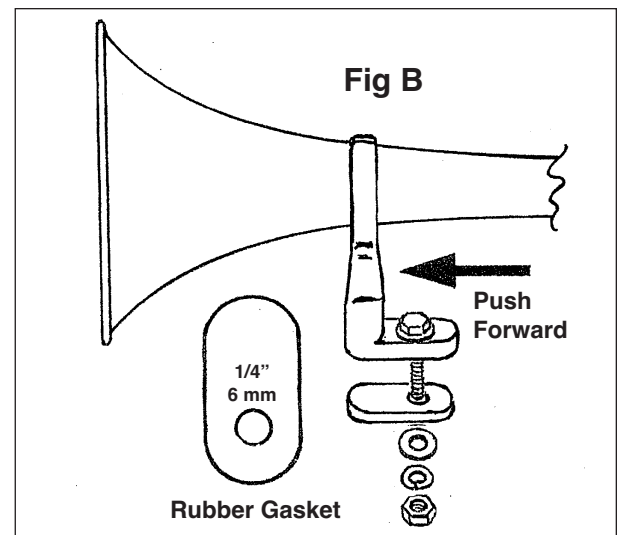
2. Secure the horns to the vehicle using the hardware provided. Tighten screws evenly to prevent damage to the horn. See Fig. A.

IMPORTANT: Be sure to use the rubber gasket to protect against water leaks.

3. Position the front trumpet support bracket around the narrow part of the trumpet. Push the bracket forward until it is tight. Use the bracket as a template, mark hole locations and drill to size. See Fig. B.

4. Secure the front trumpet to the vehicle using the hardware provided. Tighten screws evenly to prevent damage to the horn. See Fig. B.

IMPORTANT: Be sure to use the rubber gasket to protect against water leaks.



CONNECTING TO AIR INLET

METHOD A – See Fig. C

- Secure the flexible air hose provided, into the horn's bottom base plate air inlet. Do not remove the Teflon tape on the threaded end of the brass fitting. The tape is used to help prevent air leaks.

CAUTION: Avoid making any kinks or sharp bends in the flexible inlet hose that might reduce the airflow to the horn, such could alter the sound of the horn.

- Connect the other end of the flexible inlet hose to the air valve using 1/4" O.D., that will provide air from the tank of the on-board air system.

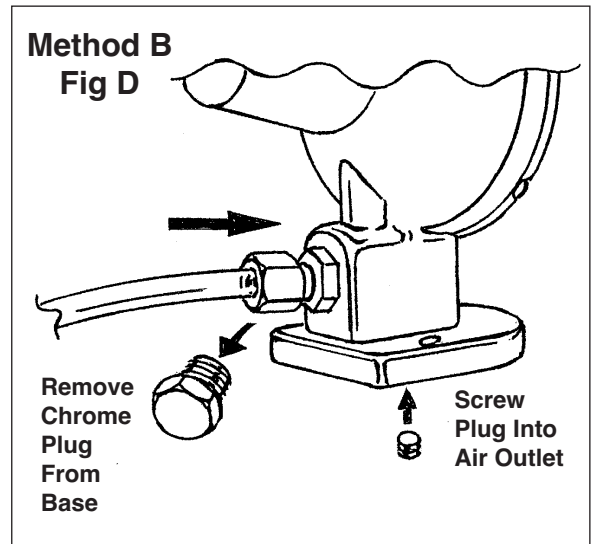
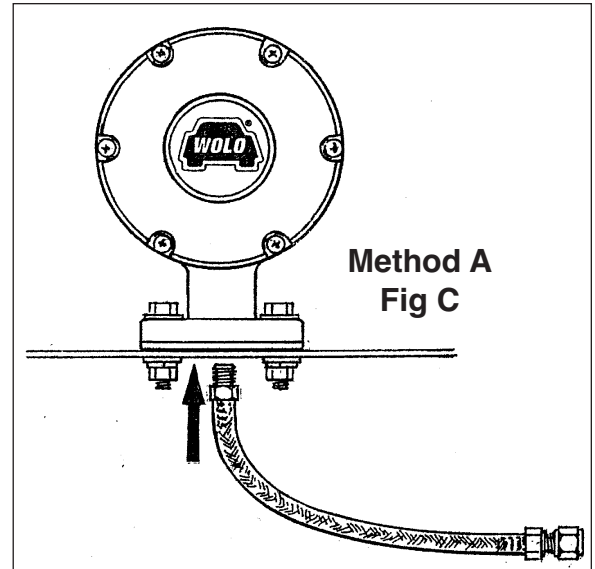
METHOD B – See Fig. D

- The screw plug provided must be installed into the bottom base plate air inlet, so to block off that inlet.

- Remove the chrome screw plug in the front base and install the compression fitting provided. Do not remove the Teflon tape on the threaded end of the compression fitting. The tape is used to help prevent air leaks.

- Connect the 1/4" O.D. hose to the horn's compression fitting, that will provide air from the tank of the on-board air system. The other end of the hose is connected to the air valve providing air from the tank of the on-board air system.

CAUTION: Avoid making any kinks or sharp bends in the hose that might reduce the airflow to the horn, such could alter the sound of the horn.



WARRANTY

Wolo Manufacturing Corporation ("Wolo") warranties to the original purchaser, for three months from the date of purchase, that this product is free from defects in workmanship and materials. If there is such a proven defect, Wolo, at its option, will either repair or replace the item free of charge, if it is returned to Wolo within three months from the date of purchase together with proof of purchase as described below. Wolo reserves the right to inspect any defect prior to settling any warranty claim by repair or replacement. This warranty is limited as above provided and Wolo will not be responsible for fire or other casualty or accident, due to neglect, abuse, abnormal use, modifications, faulty installation of this product, or natural causes.

ANY EXPRESSED WARRANTY NOT PROVIDED HEREIN IS EXCLUDED AND DISCLAIMED. THE IMPLIED WARRANTIES OF MERCHANTABILITY AND OF FITNESS FOR A PARTICULAR PURPOSE ARE EXPRESSLY LIMITED TO A TERM OF THREE (3) MONTHS. UNDER NO CIRCUMSTANCES SHALL WOLO BE LIABLE TO PURCHASER OR ANY OTHER PERSON FOR ANY SPECIAL OR CONSEQUENTIAL DAMAGES, WHETHER ARISING OUT OF BREACH OF WARRANTY OR OTHERWISE.

To obtain warranty service, return the product prepaid, and include the original bill of sale showing the date of purchase. Provide with the return a brief description of the problem. Also, include with the return a check or money order in the amount of \$10.00 to cover return shipping. Mail to:

Wolo Manufacturing Corp. • One Saxwood Street, Deer Park, NY 11729
Attn: Warranty Service
E-mail: tech@wolo-mfg.com