

6391221

2015 Chevrolet/ GMC
2500/3500HD



6391221

2015 Chevrolet/ GMC
2500/3500HD

2015 Chevrolet/ GMC 2500/3500 HD Torch Series LED 30" Light Kit

TOOLS REQUIRED:

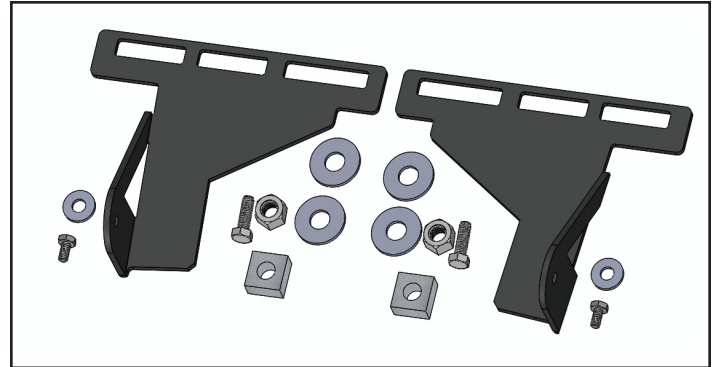
Flat Head Screwdriver
Phillips Head Screwdriver
10mm Socket
19mm Socket
Ratchet & Extensions

PARTS LIST

(2) Light Bar Brackets
(1) 30" LED Light Bar
(2) 19mm Bolts
(2) 19mm Nuts
(4) 19mm Flat Washers
(2) 10mm Bolts Black
(2) 10mm Washers Black
(2) 1/2" Spacers

NOTE:

- We recommend painting all areas exposed behind grille black prior to installing for best results.



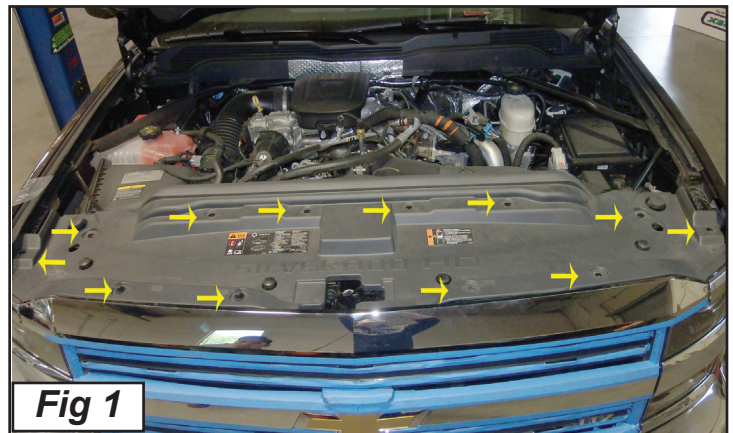
PLEASE READ AND UNDERSTAND ALL INSTRUCTIONS BEFORE INSTALLATION. Auto makers offer varied models to each vehicle and occasionally manufacture more than one body style of the same model. To assure your part is correct; our tech department can be contacted at tech@trexbillet.com to verify fitment or assist with tech questions. All other inquires can be directed to info@trexbillet.com. In the event you do not have internet access please call 1-800-287-5900.

2015 Chevrolet Instructions

Step 1

Open hood and remove the 12 plastic push clips securing the plastic radiator shroud to the radiator core.

Carefully use a flat head screwdriver to release the clip up, you can now remove the clips. Once all clips have been removed the plastic radiator shroud can be removed. (Fig 1)



Step 2

Using your 10mm socket and ratchet remove the four (4) 10mm bolts securing the upper grille assembly to the radiator support. (Fig 2)



6391221

2015 Chevrolet/ GMC
2500/3500HD



6391221

2015 Chevrolet/ GMC
2500/3500HD

Step 3

Gently lift the top of grille assembly up while pulling back at the same time. Depress the four (4) release tabs located on the inside of the factory grille assembly with your flat head screwdriver.

Firmly grasp the grille pulling away from the vehicle (Fig 3). **DO NOT REMOVE GRILLE SHELL.**

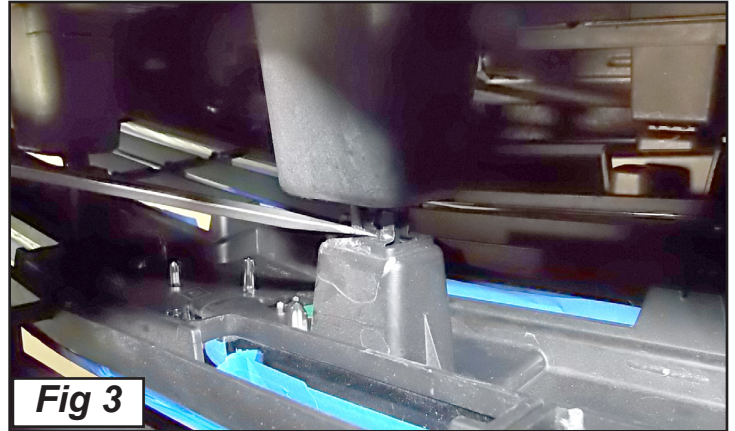


Fig 3

Step 4

Secure the spacer on the lower bumper tabs, then slide the light bar underneath grille shell (Fig 4).

The assembly is then secured loosely with the washers and nut on the bottom. Do Not Full Tighten Bolt At This Time.

Note:
Grille has been removed in (Fig 4B) in order to give you a better view of how the assembly mounts to the vehicle.



Fig 4

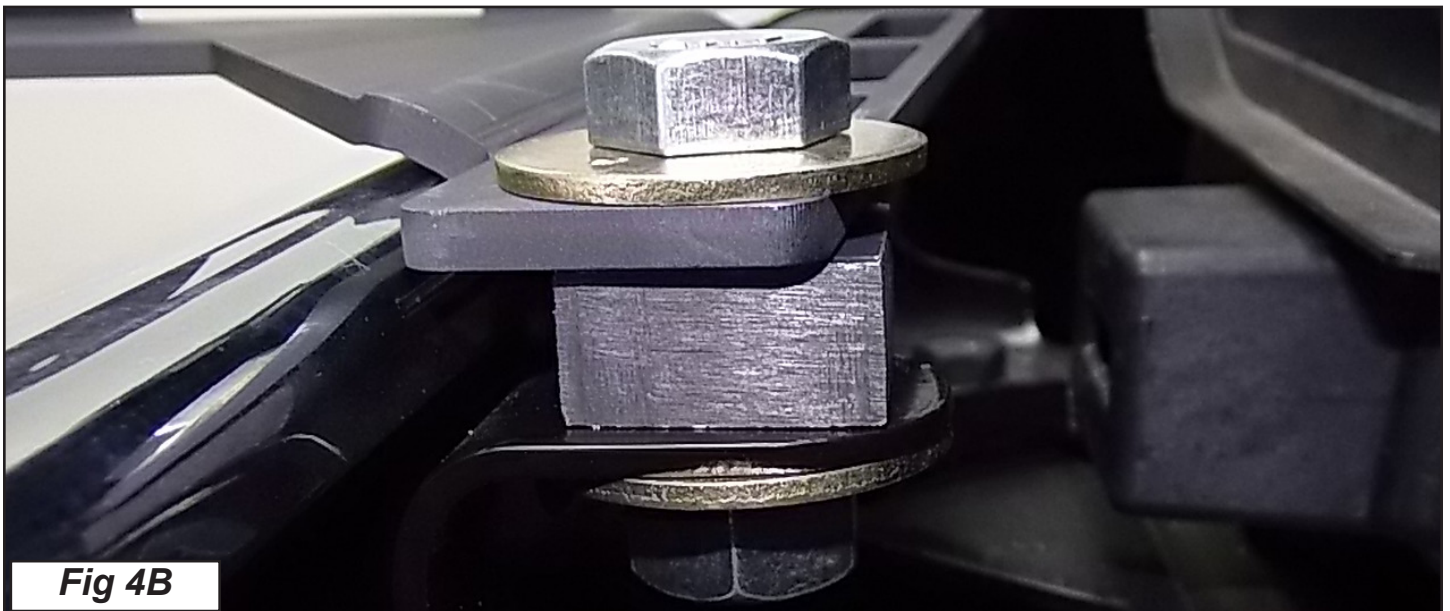


Fig 4B

6391221

2015 Chevrolet/ GMC
2500/3500HD



6391221

2015 Chevrolet/ GMC
2500/3500HD

Step 5

Install the LED light bar to the mounting brackets using the supplied washer and bolt. Do not fully tighten light at this time. (Fig 5)

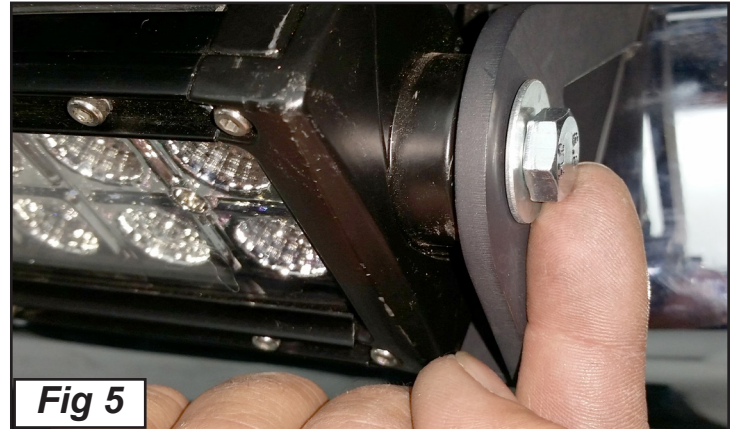


Fig 5

Step 6

Reinstall factory grille assembly in reverse order of assembly.

Wire LED Light Bar via our T-Rex optional wiring harness kit (part# 639HAR1) or custom wiring harness. T-Rex recommends Torch Lights be wired with our optional wiring harness kit (part#639HAR1).

To adjust the angle of your Light Bar, rotate the Light Bar to adjust the angle, then tighten the hardware once the desired angle is achieved (please be careful not to over tighten the mounting hardware). It is best to adjust the angle with the vehicle on level ground with lights facing a wall, garage door or other solid barrier. We recommend checking from a distance of 25'. Your installation is now completed. (Fig 6)



Fig 6

6391221

2015 Chevrolet/ GMC
2500/3500HD



6391221

2015 Chevrolet/ GMC
2500/3500HD

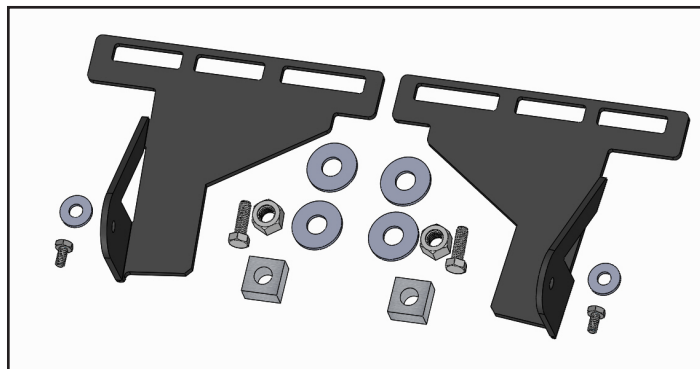
2015 Chevrolet/ GMC 2500/3500 HD Torch Series LED 30" Light Kit

TOOLS REQUIRED:

- Flat Head Screwdriver
- Phillips Head Screwdriver
- 10mm Socket
- 19mm Socket
- Ratchet & Extensions

PARTS LIST

- (2) Light Bar Brackets
- (1) 30" LED Light Bar
- (2) 19mm Bolts
- (2) 19mm Nuts
- (4) 19mm Flat Washers
- (2) 10mm Bolts
- (2) 10mm Washers
- (2) 1/2" Spacers



NOTE:

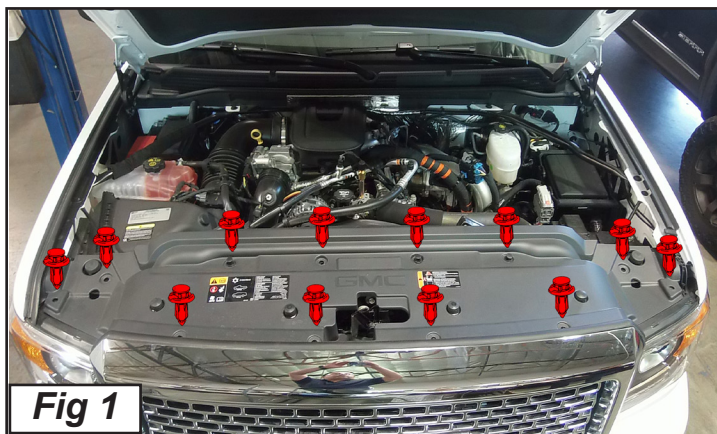
- We recommend painting all areas exposed behind grille black prior to installing for best results.

PLEASE READ AND UNDERSTAND ALL INSTRUCTIONS BEFORE INSTALLATION. Auto makers offer varied models to each vehicle and occasionally manufacture more than one body style of the same model. To assure your part is correct; our tech department can be contacted at tech@trexbillet.com to verify fitment or assist with tech questions. All other inquiries can be directed to info@trexbillet.com. In the event you do not have internet access please call 1-800-287-5900.

2015 GMC Instructions

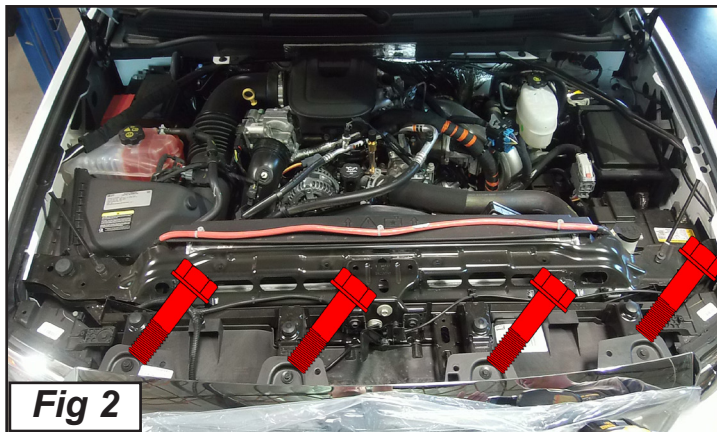
Step 1

Open hood and remove the 12 plastic push clips securing the plastic radiator shroud to the radiator core. Carefully use a flat head screwdriver to release the clip up, you can now remove the clips. Once all clips have been removed the plastic radiator shroud can be removed. (Fig 1)



Step 2

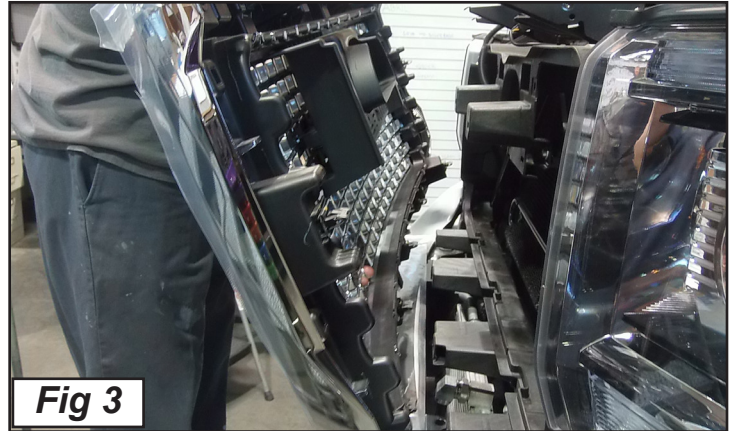
Using your 10mm socket and ratchet remove the four (4) 10mm bolts securing the upper grille assembly to the radiator support. (Fig 2)





Step 3

Gently lift the top of grille assembly up while pulling back at the same time. Depress the four (4) release tabs located on the inside of the factory grille assembly with your flat head screwdriver. Firmly grasp the grille pulling away from the vehicle to remove it. (Fig 3)



Step 4

Attach bracket to lower grille/ bumper support. Secure with included bolts and washers (DO NOT USE INCLUDED SPACERS ON GMC INSTALLATIONS)

The assembly is then secured loosely with the washers and nut on the bottom. Do Not Full Tighten Bolt At This Time. (Fig 4).



Step 5

Install the LED light bar to the mounting brackets using the supplied washer and bolt. Secure light brackets. (Fig 4).



6391221
2015 Chevrolet/ GMC
2500/3500HD



6391221
2015 Chevrolet/ GMC
2500/3500HD

Step 6

Reinstall factory grille assembly in reverse order of assembly.

Wire LED Light Bar via our T-Rex optional wiring harness kit (part# 639HAR1) or custom wiring harness. T-Rex recommends Torch Lights be wired with our optional wiring harness kit (part#639HAR1).

To adjust the angle of your Light Bar, rotate the Light Bar to adjust the angle, then tighten the hardware once the desired angle is achieved (please be careful not to over tighten the mounting hardware). It is best to adjust the angle with the vehicle on level ground with lights facing a wall, garage door or other solid barrier. We recommend checking from a distance of 25'. Your installation is now completed. (Fig 6)



Fig 6