



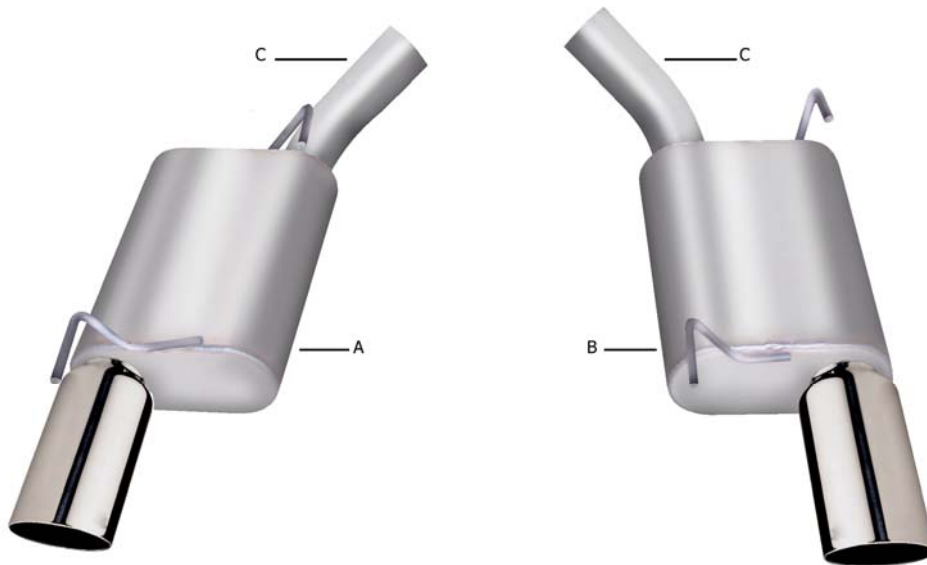
# Installation Instructions

## Stainless Dual Rear Muffler Replacement

05-07 Ford Mustang GT, 4.6L

2007 Ford Shelby GT500 Mustang, 5.4L

Part #619001



ITEM	PART	QUANTITY	DESCRIPTION
A	1047-700801S	1	Driver side muffler assembly w/ 4" intercooled tip
B	1048-700802S	1	Passenger side muffler assembly w/ 4" intercooled tip
C	5757	2	2.5" Clamp

Thank you for purchasing our Gibson Exhaust System for your vehicle.  
If you need further assistance, please do not hesitate to call our technical department at  
(800) 528 -3044 Monday through Friday, 8am to 5 pm.

# Installation Instructions #619001

When installing this exhaust system make sure to use proper safety precautions. Use jack stands when working under the vehicle, set parking brake, block tires and use safety glasses and gloves. Allow exhaust to cool before attempting installation. Severe injury or burns could occur if safety measures are not taken.

**SUGGESTED TOOLS:** 1/2", 9/16", 15mm wrenches & sockets, WD-40, hacksaw, jack stands

1. Disconnect the negative battery cable before removal of OEM exhaust. This will allow the computer to reset and recognize the new exhaust. Lay out the exhaust on the floor so it looks like the drawing and compare parts with manual.



2. To remove your stock exhaust, unbolt the clamps by your rear mufflers using a 15mm wrench or socket.



5. Install the passenger side tailpipe into muffler assembly using clamp #C to secure. Do not tighten. Use the stock clamp to secure the tailpipe to the stock h-pipe.



3. Loosen up the 2 clamps in the middle of the vehicle and slide them over the tailpipes. Now separate both tailpipes from mufflers and slide them out. Next remove the stock mufflers by sliding them out of the stock rubber grommets.



6. Now do the same procedure for the driver side tailpipe. Use clamp #C to secure the tailpipe to the muffler assembly and the stock clamp to secure it to the stock h-pipe.



4. Now install the passenger side muffler assembly #B by sliding the metal hangers into the rubber grommets. Then do the same for the driver side muffler assembly #A.



7. When you have everything in place, firmly tighten all bolts and clamps down securely. Use stainless steel cleaner and a Scotch Brite pad weekly to prevent tip from discoloration. Inspect all fasteners after 25-50 miles of operation and re-tighten as necessary.

GIBSON EXHAUST systems are designed on a factory stock vehicle. Any aftermarket products installed could increase the sound levels of the exhaust. **Make sure there is a 1" clearance from ALL rubber brake lines, shock boots, lines, tires, etc. to prevent heat related damage or fire.**