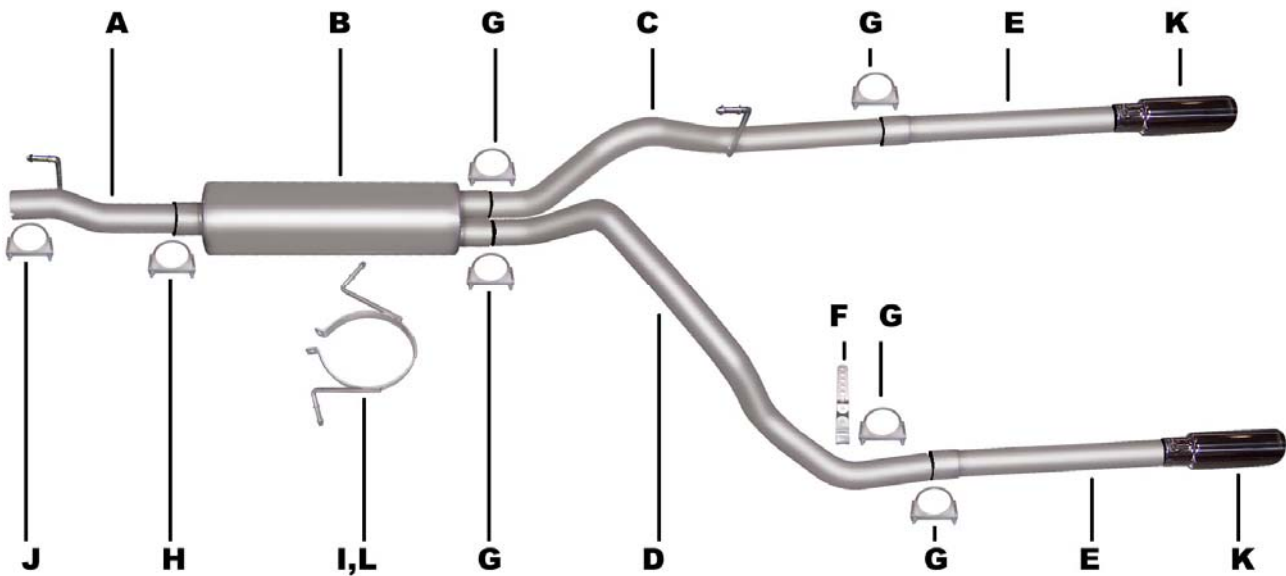




INSTRUCTION MANUAL
CAT-BACK SPLIT REAR EXHAUST SYSTEM
2004 DODGE RAM 1500 TRUCK 5.7L HEMI 2WD
STANDARD CAB, SHORT BED
PART # 6515



ITEM	PART #	QTY.	DESCRIPTION
A	700591	1	3"X 21" HEADPIPE EXTENSION WITH HANGER
B	789800	1	SUPERFLOW MUFFLER
C	700407	1	2-1/2" PASSENGER SIDE OVERAXLE PIPE
D	700408-1	1	2-1/2" DRIVERSIDE OVERAXLE PIPE
E	700346	2	2-1/2" EXIT PIPE
F	08269	1	10" HANGER
F	BO-101	1	BOLT KIT FOR 10" HANGER
G	5757	5	2-1/2" CLAMP
H	OHD300	1	3" CLAMP
I	4188	1	BAND CLAMP W/HANGERS
J	5758	1	2 3/4" CLAMP
K	500374	2	3 1/2" STAINLESS TIPS
L	BO-1015	1	BOLT KIT FOR BAND CLAMP
M	ZIP	2	ZIP TIES

Thank you for purchasing our GIBSON EXHAUST SYSTEM for your vehicle. If you need further assistance, please do not hesitate to call our Technical Department at (800) 528-3044, Monday through Friday, 8:00 am to 5:00 pm 0506

EXHAUST INSTALLATION #6515

WHEN INSTALLING THIS EXHAUST SYSTEM MAKE SURE TO USE ALL THE PROPER SAFETY PRECAUTIONS. USE JACK STANDS WHEN UNDER TRUCK, SET PARKING BRAKE, BLOCK TIRES AND USE SAFETY GLASSES AND GLOVES. **DO NOT WORK WITH HOT PIPES!**

SUGGESTED TOOLS:

9/16, 1/2, 15MM Wrench and Socket, Jack Stand, Hacksaw, WD-40

TO REMOVE STOCK EXHAUST UNCLAMP THE STOCK EXHAUST JUST IN FRONT OF THE MUFFLER.



YOU MAY NEED TO HEAT IT UP FOR EASIER REMOVAL. LEAVE ALL RUBBER GROMMETS IN PLACE. USE WD-40 FOR REMOVAL OF HANGERS.



INSTALL PASSENGER SIDE TAILPIPE #C INTO MUFFLER 1-1/2" TO 2". USE CLAMP #G TO SECURE TAILPIPE TO MUFFLER. INSERT WELDED HANGER INTO RUBBER GROMMET. DO NOT TIGHTEN.



INSTALL HEADPIPE #A, YOU WILL NEED TO LINE UP THE TWO NOTCHES. USE HANGER #J TO SECURE HEADPIPE TO THE STOCK PIPE. DO NOT TIGHTEN. INSERT HANGER INTO RUBBER GROMMET.



MEASURE 19 1/2" FROM THE REAR OF THE FRAME AND ON THE DRIVERS SIDE USE THIS HOLE AND BOLT ON HANGER #F. USE THE 3RD HOLE FROM THE TOP.

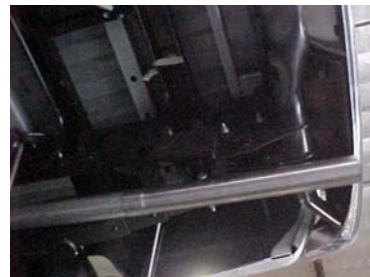


INSTALL MUFFLER #B ONTO HEADPIPE 1-1/2" TO 2". USE CLAMP #H TO SECURE THE MUFFLER TO THE HEADPIPE. DO NOT TIGHTEN. SLIDE BAND CLAMP #I ONTO THE MUFFLER AND INSERT THE WELDED HANGER INTO THE RUBBER GROMMET. ATTACH WITH BOLT KIT #L.



INSTALL DRIVER SIDE TAILPIPE #D INTO MUFFLER 1-1/2" TO 2" AND USE CLAMP #G TO SECURE THE MUFFLER. DO NOT TIGHTEN. USE CLAMP #G TO HOLD PIPE UP TO THE HANGER #F.

MAKE SURE YOU HAVE A 1" CLEARANCE AWAY FROM ALL PIPES, BRAKE LINES, FUEL LINES, SHOCKS, TIRES, ETC...



INSTALL THE EXIT PIPES #E ONTO THE TAILPIPES USING CLAMPS #G. NOW GO BACK AND TIGHTEN ALL CLAMPS, NUTS AND BOLTS STARTING FROM THE FRONT AND WORKING BACK. INSTALL STAINLESS TIPS. USE ZIP TIES FOR BRAKE LINES, WIRES, ETC.

***SPARE TIRE MAY NEED TO BE LOOSENED AND PUSHED TO THE REAR OF THE TRUCK FOR BETTER CLEARANCE.**