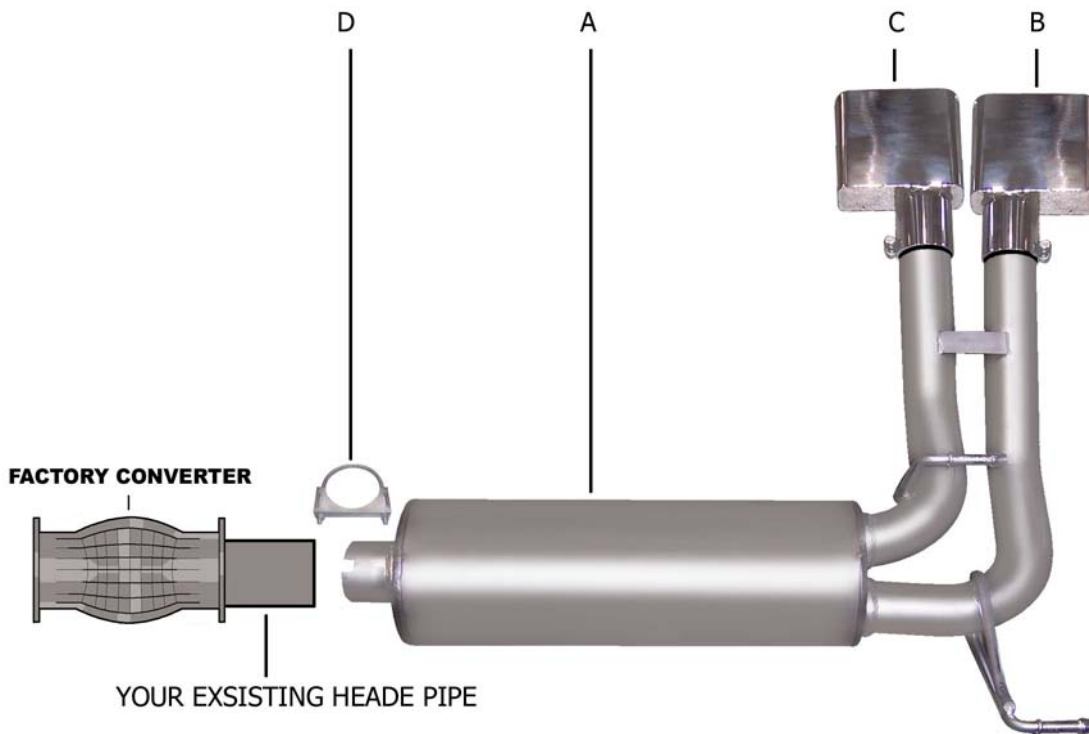




PERFORMANCE EXHAUST SYSTEMS

INSTRUCTION MANUAL
STAINLESS SUPER TRUCK EXHAUST SYSTEM
04-05 DODGE RAM 1500 TRUCK 5.7L HEMI 2/4WD
QUAD CAB, SHORT BED 4DR
PART # 66522



ITEM	PART #	QUANTITY	DESCRIPTION
A	786-700547S	1	STAINLESS MUFFLER ASSEMBLY
B	500366	1	SUPER TRUCK STAINLESS TIP
C	500365	1	SUPER TRUCK STAINLESS TIP
D	5758	1	2.75" CLAMP

THANK YOU FOR PURCHASING OUR GIBSON EXHAUST SYSTEM FOR YOUR VEHICLE.
IF YOU NEED FURTHER ASSISTANCE, PLEASE DO NOT HESITATE TO CALL OUR
TECHNICAL DEPARTMENT AT (800) 528-3044, MONDAY THROUGH FRIDAY

EXHAUST INSTALLATION SHEET #66522

WHEN INSTALLING THIS EXHAUST SYSTEM, MAKE SURE TO USE PROPER SAFETY PRECAUTIONS. USE JACK STANDS WHEN UNDER THE TRUCK, SET PARKING BRAKE, BLOCK TIRES, AND USE SAFETY GLASSES AND GLOVES.

DO NOT WORK WITH HOT PIPES!

SUGGESTED TOOLS:

HACKSAW, 9/16" SOCKET, 1/2" SOCKET, 1/2" WRENCH, JACKSTAND, WD-40



TO REMOVE STOCK EXHAUST UNCLAMP IT FROM THE CLAMP LOCATED JUST IN FRONT OF YOUR STOCK MUFFLER. YOU MAY NEED TO HEAT IT UP WITH A TORCH TO REMOVE IT. NOW CUT OFF YOUR STOCK TAILPIPE JUST BEHIND THE MUFFLER AND REMOVE. LEAVE ALL RUBBER GROMMETS ON THE HANGER. USE WD-40 TO AID IN REMOVAL OF EXHAUST AND HANGERS.



INSTALL MUFFLER ASSEMBLY #A ONTO HEADPIPE 1-1/2" TO 2". SLIDE WELDED HANGERS INTO RUBBER GROMMETS YOU MAY NEED TO ADJUST WELDED HANGERS TO FIT INTO YOUR GROMMETS. USE A JACKSTAND TO SUPPORT YOUR MUFFLER. USE CLAMP #B TO SECURE IT TO YOUR HEADPIPE. DO NOT TIGHTEN.



INSTALL YOUR STAINLESS TIPS. TIGHTEN ALL CLAMPS AFTER YOU MAKE SURE YOUR TAILPIPES ARE LEVEL.

SPECIAL NOTES:

MAKE SURE YOU HAVE A 1" CLEARANCE ON ALL PIPES FROM ALL RUBBER

BRAKE LINES, SHOCK BOOTS, TIRES, ETC...