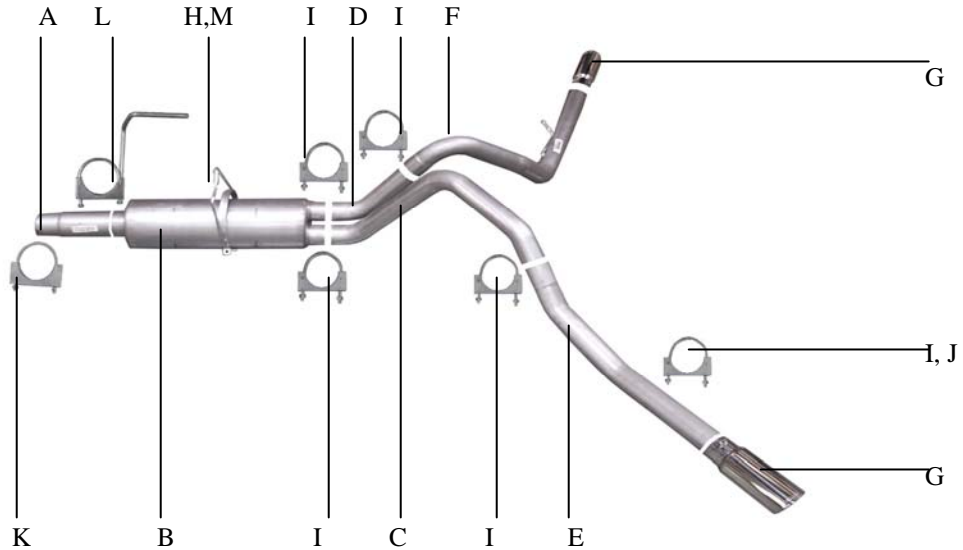




**INSTRUCTION MANUAL**  
**EXTREME DUAL STAINLESS EXHAUST**  
**99-03 FORD F250, F350 TRUCK 7.3L, POWER STROKE DIESEL, 2/4WD**  
**CREW CAB-SHORT & LONG BED      EXTENDED CAB-SHORT BED**

**WILL NOT FIT WITH FUEL TANK MOUNTED IN REAR CENTER FRAME.**  
**WILL NOT FIT WITH 5<sup>TH</sup> WHEEL TRAILER HITCH**

**PART #69701**



ITEM	PART #	QUANTITY	DESCRIPTION
A	586-700355S	1	4" S/S HEADPIPE
B	758400S	1	S/S SUPERFLOW MUFFLER
C	510-700356S	1	3" S/S FRONT DRIVERSIDE TAILPIPE
D	511-700357S	1	3" S/S FRONT PASS. SIDE TAILPIPE
E	512-700358S	1	3" S/S DRIVERSIDE OVERAXLE TAILPIPE
F	513-700359S	1	3" S/S PASS. SIDE OVERAXLE TAILPIPE
G	500379	2	4" STAINLESS TIP
H	4168	1	8" BAND CLAMP
I	OHD300	5	3" CLAMP
J	08269	1	10" HANGER
J	BO-101	1	BOLT KIT FOR 10" HANGER
K	4170	1	3-1/2" CLAMP
L	4169	1	FRONT MUFFLER HANGER
M	BO-1015	1	BOLT KIT FOR BAND CLAMP # 4168

THANK YOU FOR PURCHASING OUR GIBSON EXHAUST SYSTEM FOR YOUR VEHICLE. IF YOU NEED FURTHER ASSISTANCE, PLEASE DO NOT HESITATE TO CALL OUR TECHNICAL DEPT. AT (800) 528-3044, MONDAY THROUGH FRIDAY, 8:00 AM TO 5:00 PM. 0903

# INSTALLATION INSTRUCTIONS

WHEN INSTALLING THIS EXHAUST SYSTEM MAKE SURE TO USE PROPER SAFETY PRECAUTIONS. USE JACK STANDS WHEN UNDER THE TRUCK, SET THE PARKING BRAKE, BLOCK TIRES AND USE SAFETY GLASSES AND GLOVES.

**DO NOT WORK WITH HOT PIPES!!!**

## SUGGESTED TOOLS:

17MM SOCKET & WRENCH, 9/16", 1/2" SOCKET & WRENCH, JACKSTAND, WD-40, HACKSAW

LAY OUT THE EXHAUST AND COMPARE PART NUMBERS WITH THE DRAWING.



1. TO REMOVE STOCK EXHAUST UN-BOLT IT FROM THE CLAMP LOCATED JUST IN FRONT OF THE MUFFLER. CUT OFF YOUR STOCK TAILPIPE JUST BEHIND THE MUFFLER AND REMOVE. LEAVE ALL RUBBER GROMMETS ON THE HANGER. USE WD-40 TO AID IN REMOVAL OF EXHAUST AND HANGERS.



2. INSTALL HEADPIPE #A ONTO STOCK HEADPIPE, LINE UP THE NOTCH AND USE CLAMP #K TO SECURE THE HEADPIPE TO THE FACTORY HEADPIPE. DO NOT TIGHTEN. INSTALL BAND CLAMP #H INTO RUBBER GROMMETS LOCATED JUST ABOVE THE AXLE. DO NOT TIGHTEN. LEAVE LOOSE FOR EASIER INSTALLATION.



3. INSTALL MUFFLER #B BY SLIDING THE OUTLET OF IT THROUGH THE BAND CLAMP, THEN SLIDE IT ONTO THE HEADPIPE 1-1/2" TO 2". USE CLAMP #L TO SECURE THE MUFFLER TO THE HEADPIPE. INSERT HANGER INTO RUBBER GROMMET. DO NOT TIGHTEN. MUFFLER OUTLETS SHOULD BE LEVEL.



4. INSTALL FRONT TAILPIPES #C & #D INTO MUFFLER 1-1/2" TO 2". TAILPIPE #C WILL GO ON THE DRIVERS SIDE AND #D WILL GO ON THE PASSENGER SIDE. USE CLAMP #I TO SECURE THEM. DO NOT TIGHTEN.



5. INSTALL PASSENGER SIDE OVERAXLE TAILPIPE ONTO TAILPIPE #F. INSERT WELDED HANGER INTO RUBBER GROMMET. USE CLAMP #I TO SECURE TAILPIPES TOGETHER



6. INSTALL HANGER #J INTO HOLE LOCATED ON THE DRIVERS SIDE ABOUT 20" FROM THE REAR OF THE FRAME. USE THE TOP HOLE ON THE HANGER.



7. INSTALL DRIVERSIDE OVERAXLE TAILPIPE #E ONTO FRONT TAILPIPE #C. ROTATE THE PIPE UNTIL IT MEETS UP WITH HANGER #J. USE CLAMP #I TO SECURE TAILPIPE #C & E TOGETHER. DO NOT TIGHTEN. ADJUST YOUR TAILPIPES SO THAT THEY ARE LEVEL. NOW GO BACK AND TIGHTEN ALL CLAMPS STARTING FROM THE FRONT AND WORKING BACK.



8. INSTALL THE STAINLESS TIPS. TO CLEAN TIPS USE A SCOTCH BRITE PAD AND ANY STAINLESS STEEL OR ALUMINUM CLEANER.

**"MAKE SURE YOU HAVE A MINIMUM OF 1" CLEARANCE ON ALL PIPES FROM RUBBER BRAKE LINES, FUEL LINES, TIRES, SHOCKS, ETC..."**