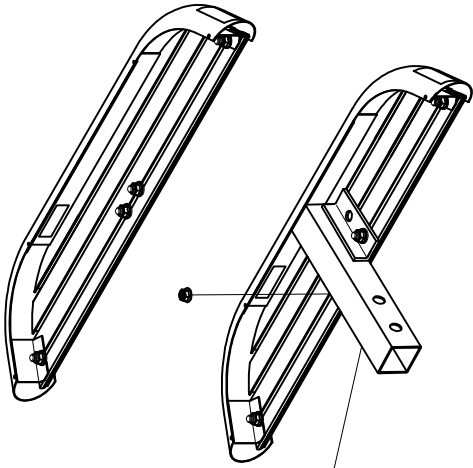


STEP BOARDS SOLD SEPARATELY

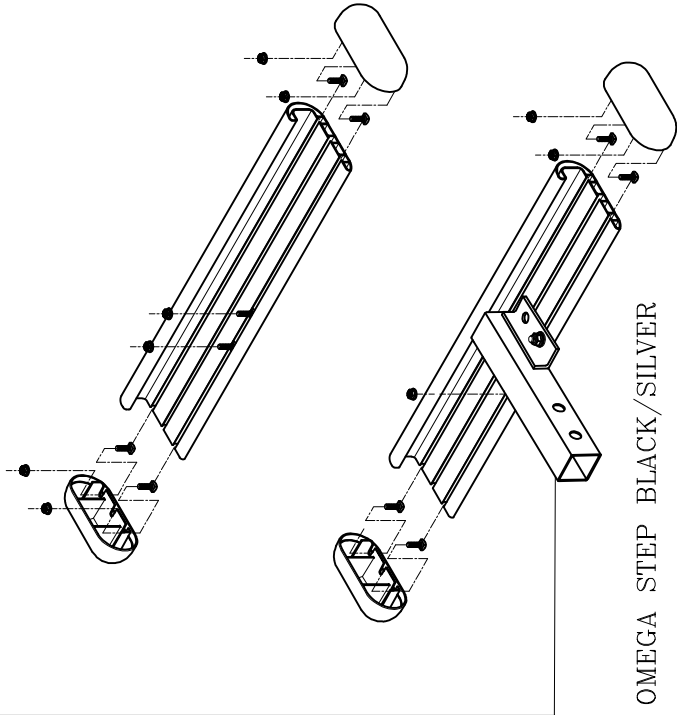
SERVICE PARTS LIST

BOARDS—	575226
	585026
	586026
	415026
STINGER—	570000
STINGER/PLATE—	570010

MEGA STEP

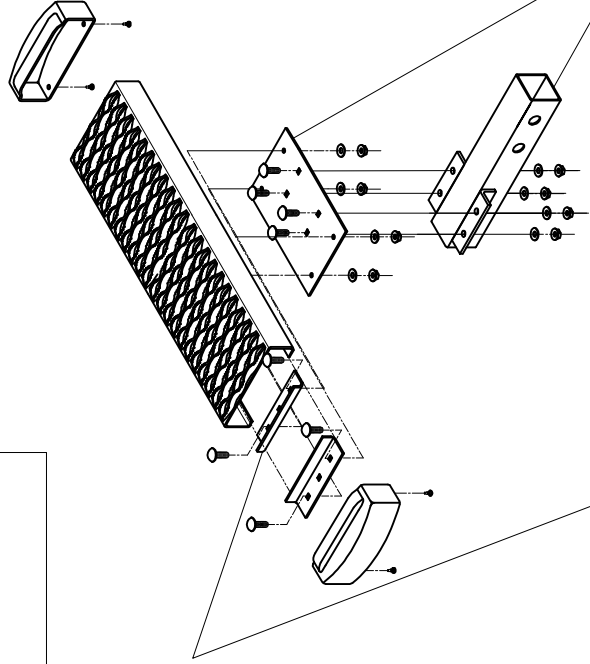


—STINGER—PKG (570000)



OMEGA STEP BLACK/SILVER

GRIP STEP



STINGER—PKG (570010)

REV B 30JUN15
 REV A 10JUL09
 551659 SHEET 1 11MAY09

