

Holley®

3-3/8" Tachometer Instructions

- 26-615** – Black 3-3/8" Tachometer 0-8K Standalone w/shift light-Holley logo
- 26-617** – Black 3-3/8" Tachometer 0-10K Standalone w/shift light-Holley logo
- 26-615W** – White 3-3/8" Tachometer 0-8K Standalone w/shift light-Holley logo
- 26-617W** – White 3-3/8" Tachometer 0-10K Standalone w/shift light-Holley logo

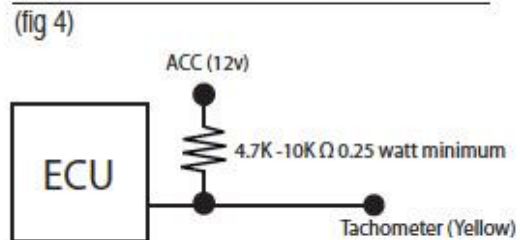
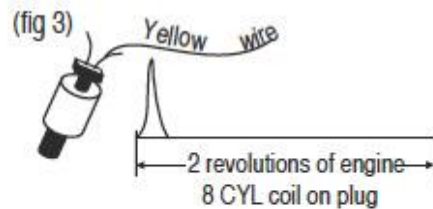
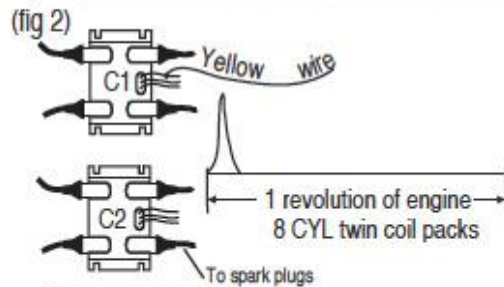
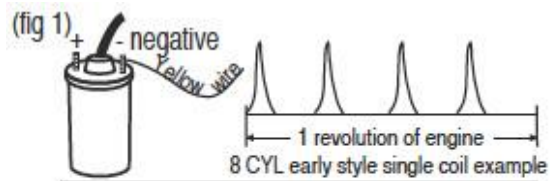
IMPORTANT! Disconnect the battery prior to installation!

1. Connect tachometer power requirements as shown below.
2. Mount tachometer for easy viewing. Use included spin lock ring for mounting to gauge panel.
3. Hook up the red, black and white wires. (Refer to the schematic below.)

Notes on tach signals:

Your vehicle ignition system will fall under one of these 4 ignition types (See fig 1-4 below). The type of ignition system will determine where the yellow wire is connected and what the number of pulses per revolution the tachometer should be set to.

Type #1 (single coil) – (fig 1) Up until the 1990's tachometers picked up the signal from the (-) side on a single ignition coil, reading every pulse sent to all the cylinders. For example, an 8 cylinder (4 stroke) engine fires 4 spark plugs per revolution or all 8 spark plugs in 2 revolutions. Connecting the tachometer yellow signal wire to the negative side of the single coil on an 8 cylinder results in picking up 4 sparks in 1 revolution (see fig 1). This type of ignition was used pre-dominantly until the 1990's and distributes sparks to each spark plug. In some vehicles during the 90's the coil and distributor merged into one unit, but it is the same ignition system - one coil that distributes sparks to all cylinders. When connecting the yellow wire to this style of ignition you will be picking up all cylinder sparks (see fig 5).



Setup the Tachometer to run 2 pulses per rev when connecting it to the engines' ECU.

Type #2 (coil pack) - (fig 2) is a 96 Mustang V8 with twin coil packs. Coil pack #1 (C1) controls the firing of 4 spark plugs and coil pack #2 (C2) controls the remaining 4 spark plugs. 2 or more separate coils are within each coil pack assembly. In this example each of the 2 coils within each coil pack sends sparks to 2 cylinders at the same time. When one cylinder is firing in the compression stroke, its paired cylinder is "waste" firing in the exhaust stroke. Each separate coil within the pack is controlled by its own trigger wire. In other words, if you hooked up the yellow wire to one coil trigger wire within one coil pack, it will see only a fraction of the total engine sparks (see fig 5).

Type #3 (coil on plug) – (fig 3) An individual coil is placed directly on top of each spark plug eliminating the spark plug wires. The yellow wire, when hooked up to any coil, will pick up only 1 pulse per 2 revolutions or 1/2 pulse per 1 revolution (see fig 3). For this type of ignition the yellow wire from the tachometer will connect to the trigger wire on one of the coils. Typically there will be 3 or 4 colored wires coming off of each coil. The trigger wire will be the wire that changes color from one coil to the next. For example, all coils may have red, gray and black wires coming off of them, but the fourth wire will be blue on one coil and green on the next coil.

Type #4 (tach output from ECU) – (fig 4) Some vehicles will have a tachometer output wire coming from the ECU. The yellow wire from our tachometer can receive signal from the ECU by following the diagram in fig 4. 4.7k Ω resistor and shrink tubing are included with gauge.

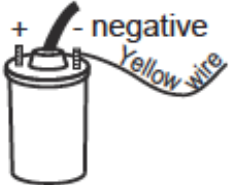
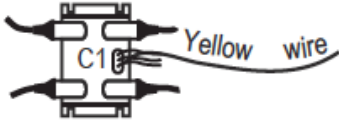
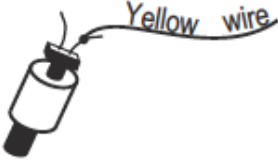

In summary, figure out how many cylinders you are picking up with the yellow wire and set the respective number of pulses per revolution (see step 5). The tachometer can be configured to work on .5 pulse (coil on plug) up to 6 pulses per revolution. Use Fig 5 as a starting point when hooking up the yellow wire.

4. Hook up Yellow Wire

Caution- High voltage sometimes present on ignition coil wires. Engine must be off when connecting yellow wire.

Important note: connecting the tachometer to the wrong wire will NOT damage the tachometer or your ignition. It just won't work!

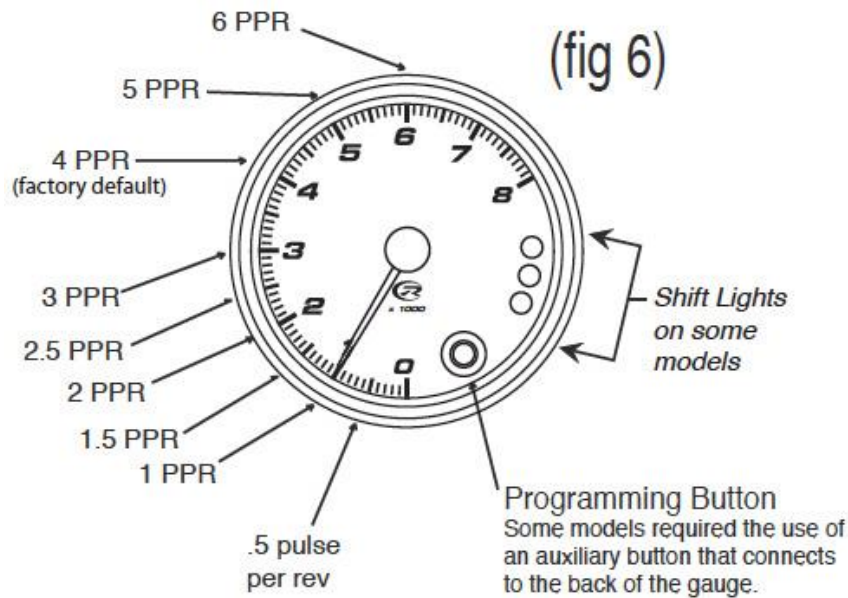
Fig 5: Tachometer yellow wire connection

Type #1 ignitions	Type #2- Coil Packs	Type #3- Coil on Plug	Aftermarket ignitions / tach output
			
Yellow wire connects to: negative side of coil. 12 cyl = 6 Pulses / rev 10 cyl = 5 Pulses / rev 8 cyl = 4 Pulses / rev 6 cyl = 3 Pulses / rev 4 cyl = 2 Pulses / rev (see step #4)	Yellow wire connects to: <ul style="list-style-type: none"> • negative side of coil (some cars) or • coil control wire (some cars) or • coil trigger wire (some cars). 1 Pulses / rev. (as a good starting point) (see step #4)	Yellow wire connects to: <ul style="list-style-type: none"> • negative side of coil (some cars) or • coil control wire (some cars) or • coil trigger wire (some cars). 1/2 Pulses / rev. (as a good starting point) (see step #4)	Yellow wire connects to: tachometer output terminal 12 cyl = 6 Pulses / rev 10 cyl = 5 Pulses / rev 8 cyl = 4 Pulses / rev 6 cyl = 3 Pulses / rev 4 cyl = 2 Pulses / rev (see step #4)

5. Set the number of pulses per revolution

- a. Turn off power to the tachometer
- b. Press and hold the button while powering on the tachometer. The pointer will move to the factory default position of 4 pulses per revolution (4000RPM). (See fig 6)
- c. Press and release the button to change the pulse per revolution setting. Once the pointer is on the desired pulse per revolution setting, press and hold the button for 5 seconds to save the setting. The pointer will return to zero indicating the setting has been saved.

Note: If nothing is selected after 5 seconds, the gauge will save the setting the pointer is on and return to zero. Tachometer will exit menu and return to normal operation.



6. Peak Memory Recall Feature

Press and hold gauge button down, gauge needle will display maximum peak reading for as long as button is pressed down. LED will stay lit while showing peak reading.

Note if button is held for longer than 10 seconds, tach will enter shift light set mode. (See Step 7 below)

To RETAIN peak reading (not clear it):

While showing peak reading, release button, wait 2 seconds, gauge will return to normal operation and retain the peak reading.

To CLEAR peak reading:

While showing peak reading, release the button, and immediately press and release the button again within 2 seconds. LEDs will flash 2 times and pointer will travel to zero to indicate peak has been cleared.

7. Set Your Shift Point

The following procedures can be done at any time during operation of the tachometer while the tachometer has power.

Shift point set:

- Press and HOLD the button for approx. 10 seconds (hold past peak recall). Pointer will travel to current set shift point.
- Press and Hold to move pointer up and down dial. Releasing button and pressing and holding again will change pointer movement direction.
- At desired shift point, release button for 5 seconds. LED will blink and pointer will return to zero position on dial. New shift point is now stored in memory.

8. Set You Shift Light LED Brightness

A unique day and night shift light LED brightness setting can be set on the tachometer. This setting effects internal shift LEDs (optional on some models) and remote Mini Shift Light if installed. Each setting has 4 possible brightness positions including 'off'. The tachometer automatically knows which day or night value to set by sensing the voltage on the white wire connected to your dash lighting. Setting the LED brightness value with your lights 'on' will result in setting the 'night' brightness value. And likewise, setting the LED brightness value with your lights 'off' will result in setting the 'day' brightness value.

At any time while tachometer has power, press and release LED button to show current LED brightness. After a couple second delay, if button is not pressed this current setting is re-saved. LED will blink to indicate setting has been saved. To change LED brightness press and release the button to advance to next higher brightness level. LED brightness will loop through 5 possible brightness settings including off as you press and release the button. At acceptable brightness level do not press button for couple second delay. LED will blink to indicate setting has been saved.

Note: Setting the brightness level when gauge lighting is on, will set the night brightness level. Setting the brightness level when gauge lighting is off will set day brightness level.

Holley Technical Support: 1-866-464-6553

© 2017 Holley Performance Products, Inc. All rights reserved.

199R11521

Date: 2-27-18