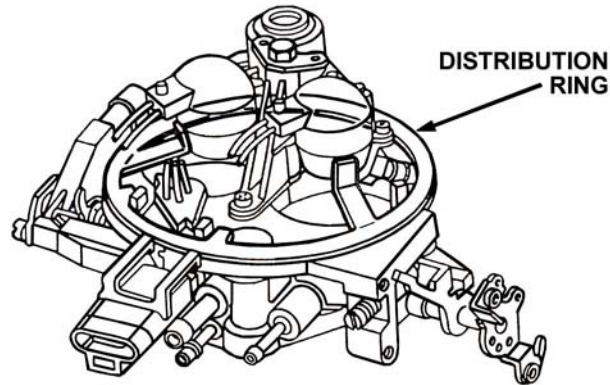


**DISTRIBUTION RING
P/N 508-10
INSTALLATION INSTRUCTIONS**

Holley part number 508-10 is for use with Holley two barrel Pro-Jection systems. This distribution ring is designed to improve the mixture quality on big block engines and may improve the mixture quality on higher performance small block engines.

Install the ring so that the two large tabs are pointed up and resting against the injector pods. The tabs should be located so they are toward the front of the TBI. See the drawing below.

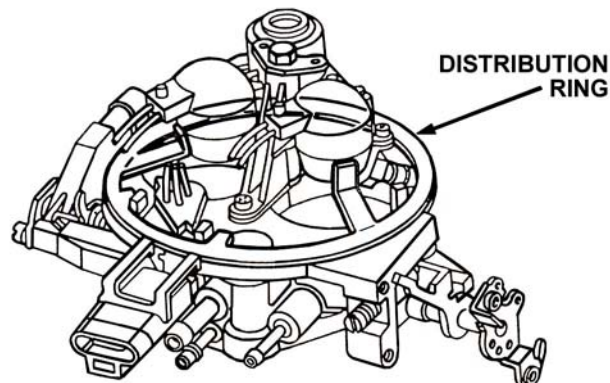


**199R9857
Date: 10-17-03**

**DISTRIBUTION RING
P/N 508-10
INSTALLATION INSTRUCTIONS**

Holley part number 508-10 is for use with Holley two barrel Pro-Jection systems. This distribution ring is designed to improve the mixture quality on big block engines and may improve the mixture quality on higher performance small block engines.

Install the ring so that the two large tabs are pointed up and resting against the injector pods. The tabs should be located so they are toward the front of the TBI. See the drawing below.



**199R9857
Date: 10-17-03**