



**Console Cover Kit
Fits Hurst Quarter Stick 2 Shifters
With Rear Cable Exit**

Catalog #130 0056

Installation Instructions

Work Safely

Perform this installation on a good clean level surface for maximum safety and with the engine turned off. Place blocks or wedges in front of and behind both wheels to prevent movement in either direction.

Installation of Hurst Quarter Stick Shifter 2 Console

1. If Quarter Stick 2 shifter is equipped with a Neutral/Park Start safety switch, disconnect negative (-) battery cable.

Warning: When removing or connecting the battery cable terminal, use care to avoid intermittent contact (arcing) between battery post and terminal end. This generates voltage spikes that can damage sensitive ECM (Electronic Control Modules) components or memory circuits.

2. Place shifter stick into "Neutral" position and remove assembly from vehicle.
3. Place console mounting plate (item #5) under shifter frame and attach assembly to floor tunnel using the same mounting holes that secure shifter to the floor tunnel.

Note: If shifter is a new installation or has not previously been installed in vehicle, follow installation instructions for shifter prior to installing console.

4. Shifter and console mounting plate can now be attached to floor tunnel using four (4) #14 hex head self tapping screws (item #7) and 1/4" flatwashers (item #8). (Refer to exploded view of assembly for component identification).
5. Install four (4) U-shaped speed nuts (item #6) onto both sides of mounting plate (extruded side of speed nut toward inside of plate).

6. Remove knob from shifter stick. Place console (item #3) over shifter with cut out for cable facing rearward and align with mounting plate side holes. If console bottom contacts floor before mounting holes are aligned, the console must be trimmed to fit. Mark console with a pencil and trim only the areas that touch the floor tunnel until all the mounting holes line up, remove console.
7. Place gear indicator top plate (item #2) onto console with slot for the Reverse loc/out lever toward drivers side and "PARK" position facing forward. Insert two (2) #8-32 x 3/8" button head screws (item #1) at top and fasten using #8-32 nylok nuts. (item #4).

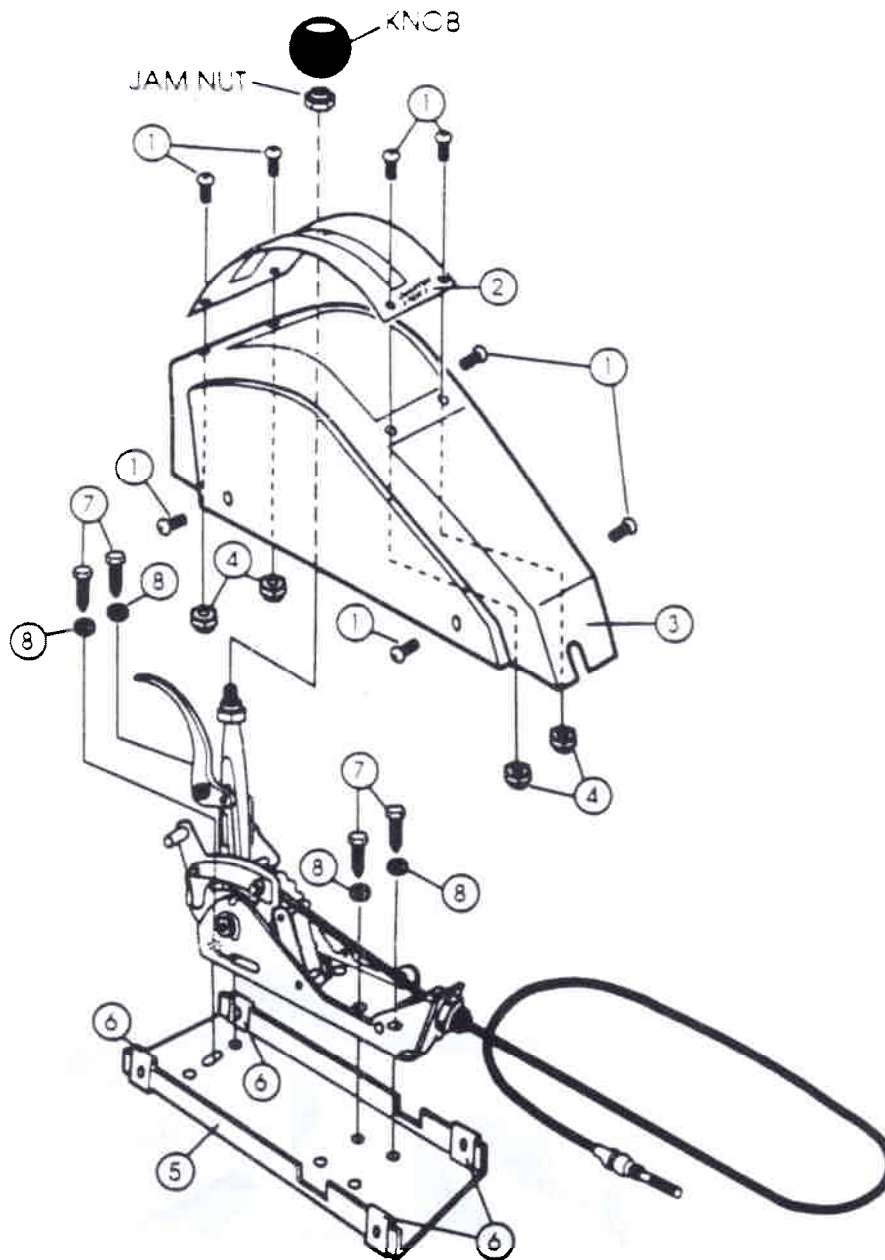
Gently form top plate to the counter of the console top and insert two (2) additional #8-32 x 3/8" button head screws and fasten using #8-32 x nylok nuts. (Refer to exploded view of assembly for component identification).

8. Place console over shifter and attach to mounting plate using four (4) #8-32 x 3/8" button head screws (item #1) and tighten using a 1/16" hex key wrench. Thread knob onto shifter stick, turn to desired position and tighten jam nut against knob.
9. Check shifter stick to be sure it is in "Neutral" position. Move stick rearward one gear position and apply the proper adhesive-back decal (letter or number) to indicate gear selection . Repeat this alignment procedure for the existing gear selection.

Note: Decal should be cut to size in order for letter or number to be applied easily onto console top plate. Peel the backing off the decal and place down onto top plate, press down lightly moving your finger back and forth over decal. Carefully remove protective covering from top of decal.

10. Shifter Operation - Parking brake must be applied and wheels blocked to prevent car from rolling. Familiarize yourself with the operation of shifter by moving stick forward and backward through the entire gear shift pattern.
11. Reconnect negative (-) battery cable if previously removed.

NOTE: RETAIN THIS INSTRUCTION SHEET FOR FURTHER REFERENCE.



Identification and Contents of Hurst Quarter Stick 2 Console Kit

- | | |
|--|------------------|
| 1. #8-32 x 3/8" Button Head Screw | Pt. 97004076 (8) |
| 2. Plate - Gear Shifter Indicator | Pt. 195 8652 |
| 3. Console | Pt. 140 0020 |
| 4. #8-32 Nylok Nut | Pt. 97002566 (4) |
| 5. Mounting Plate - Console | Pt. 195 8640 |
| 6. U-Type Speed Nut | Pt. 179 0088 (4) |
| 7. #14 x 1" Hex Head Sheet Metal Screw | Pt. 272 5699 (4) |
| 8. 1/4" Flatwasher | Pt. 97000818 (4) |
| 9. Decal - Gear Shift Indicator | Pt. 132 0026 (4) |

Note: Gear shift indicator decal Pt. 132 0026 is not shown in this illustration.

Technical Service

A highly trained Technical Service Department is maintained by Hurst Performance to answer your technical questions, provide additional product information and offer various recommendations. See your local retailer of Hurst products for specific prices.

For best results, technical Service calls, correspondence and warranty questions should be directed to the following address:

Hurst Performance
10601 Memphis Ave., #12
Cleveland, OH 44144



Hurst Performance