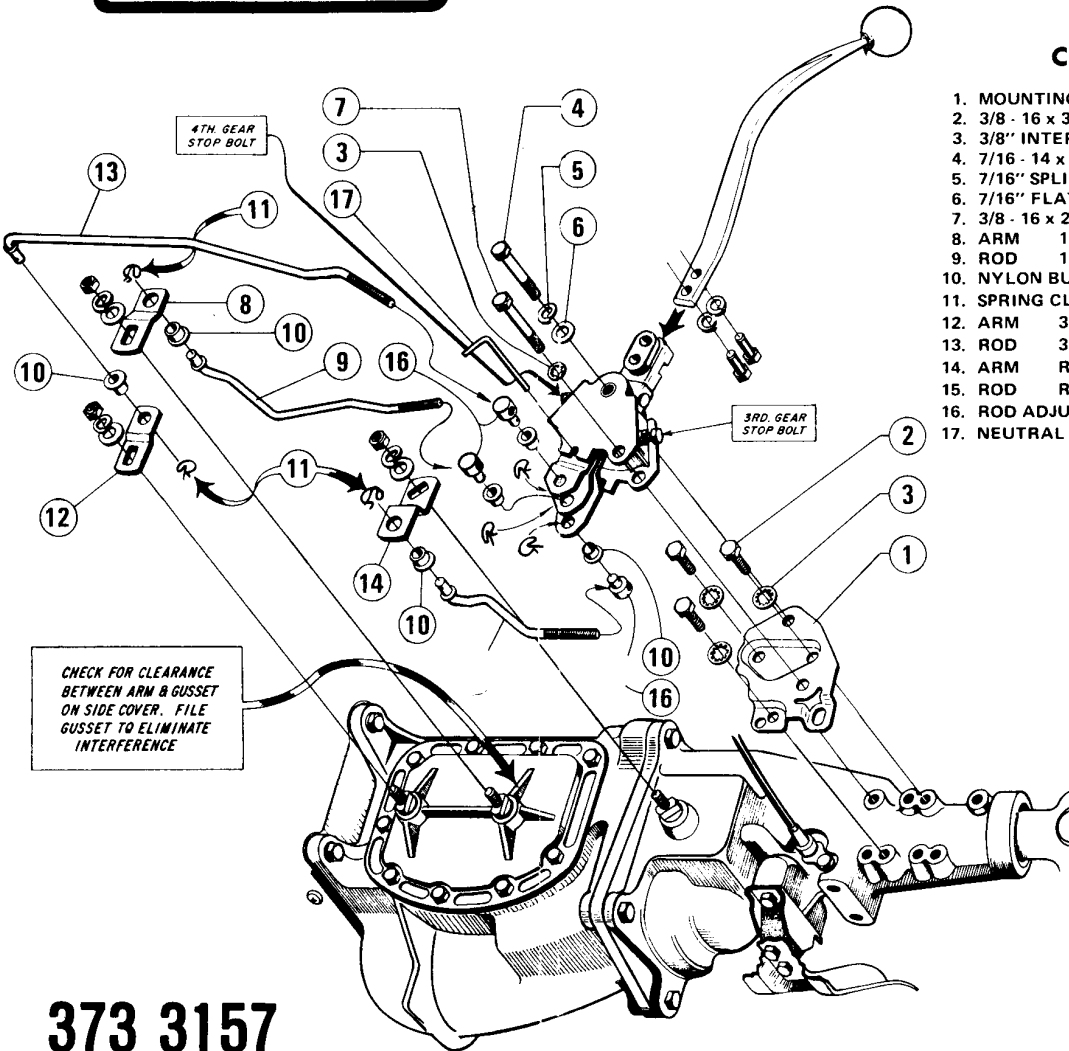




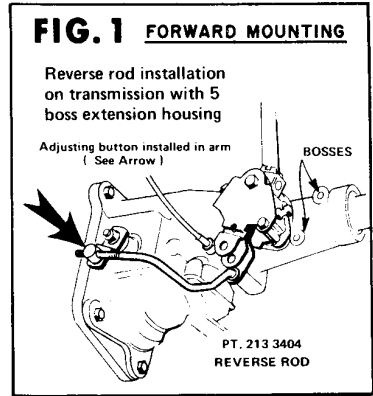
# COMPETITION/PLUS<sup>®</sup> FOUR SPEED FLOOR SHIFT

U.S. PATENT NO. 3,216,274 & NO. 3,306,126



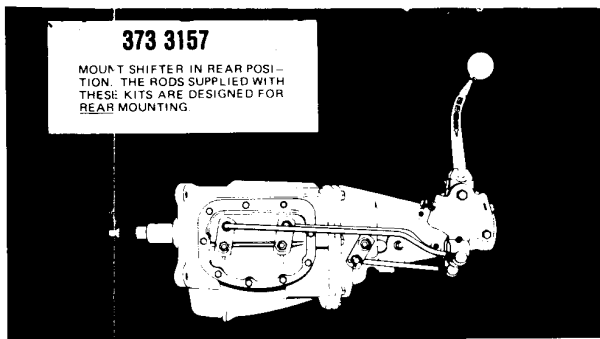
## CONTENTS OF KIT

- |  |                     |
|--|---------------------|
| 1. MOUNTING PLATE                      | Pt. 195 7773        |
| 2. 3/8 - 16 x 3/4 HEX HEAD CAP SCREW   | (3)                 |
| 3. 3/8" INTERNAL TOOTH LOCKWASHER      | (3)                 |
| 4. 7/16 - 14 x 3 HEX HEAD CAP SCREW    |                     |
| 5. 7/16" SPLIT LOCKWASHER              |                     |
| 6. 7/16" FLATWASHER                    |                     |
| 7. 3/8 - 16 x 2 3/4 HEX HEAD CAP SCREW |                     |
| 8. ARM 1 - 2                           | Pt. 105 2140        |
| 9. ROD 1 - 2                           | see charts          |
| 10. NYLON BUSHING                      | Pt. 118 1681 (6)    |
| 11. SPRING CLIP                        | Pt. 97000015 (6)    |
| 12. ARM 3 - 4                          | Pt. 105 2141        |
| 13. ROD 3 - 4                          | see charts          |
| 14. ARM REVERSE                        | see charts          |
| 15. ROD REVERSE                        | see charts          |
| 16. ROD ADJUSTING BUTTON               | Pt. 119 3783        |
| 17. NEUTRAL ALIGNMENT GAGE PIN         | Pt. 148 1725        |
| <b>BAGGED HARDWARE</b>                 | <b>Pt. 154 3151</b> |

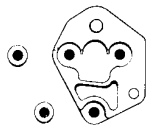


## 373 3157

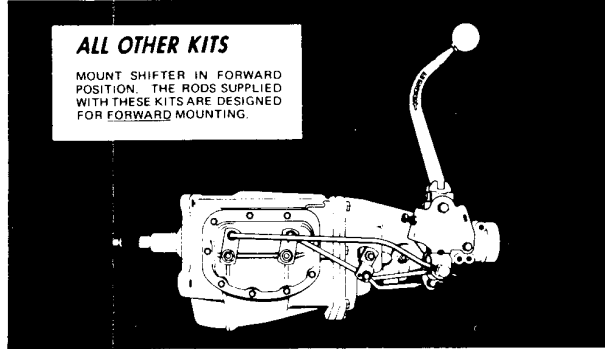
## 373 4734



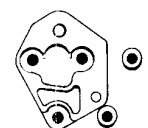
ROD AND REVERSE ARM REQUIRED FOR REAR INSTALLATIONS



ITEM	DESCRIPTION	PART NO.
9	1 - 2 ROD	213 2144
13	3 - 4 ROD	213 2145
14	REVERSE ARM	105 1670
15	REVERSE ROD	213 2146



RODS AND REVERSE ARM REQUIRED FOR FORWARD INSTALLATION



ITEM	DESCRIPTION	PART NO.
9	1 - 2 ROD	213 2138
13	3 - 4 ROD	213 2139
14	REVERSE ARM	105 2142
15	REVERSE ROD	213 3404