

**HUMMER H2 FRONT MUD GUARDS  
INSTALLATION INSTRUCTIONS**

*Please read instructions thoroughly before installation.*

**Tools Required**

- Short Phillips screwdriver
- Center punch / Hammer
- Drill / 1/8" drill bit
- Torx head screw driver (T15)

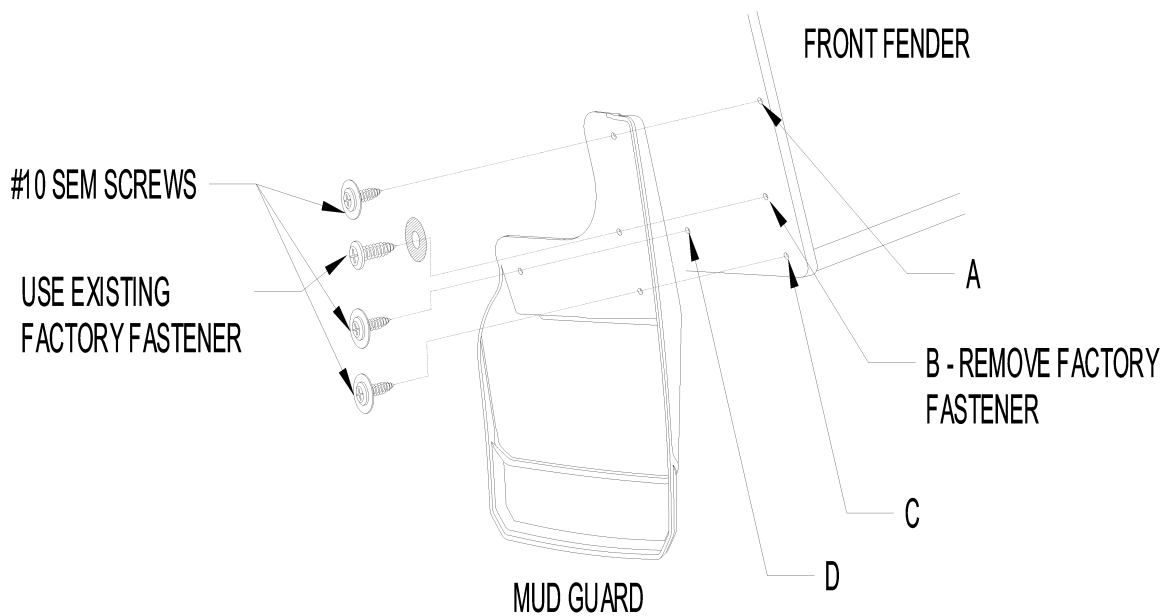
**Package Contents**

- Driver (LH) & passenger (RH) side front mud guard
- #10 SEM screw (qty. 6)
- Instruction sheet

**NOTE:** Turn the front wheels all the way to the left or right for mud guard installation. However, it may be necessary to remove the wheels depending on the tools being used for installation.

1. Clean and degrease the mud guard location area on the fender before installation.
2. Remove factory fastener from location B (Figure 1).
3. Attach mud guard by reinstalling factory fastener at location B, check fit and level before tightening.
4. Using mud guard as a template, center punch and drill 1/8" holes at locations A, C, and D.
5. Install #10 SEM screws at locations A, C, and D.

**Figure 1**



**Figure 1**

**PAINTING INSTRUCTIONS**

1. Clean mud guard with a soap and water solution to remove dirt and other contaminants.
2. Sand painting surface with 320 grit sand paper.
3. Apply a coating of flexible primer-adhesion promoter.
4. Apply a flexible paint as directed by the paint manufacturer.