

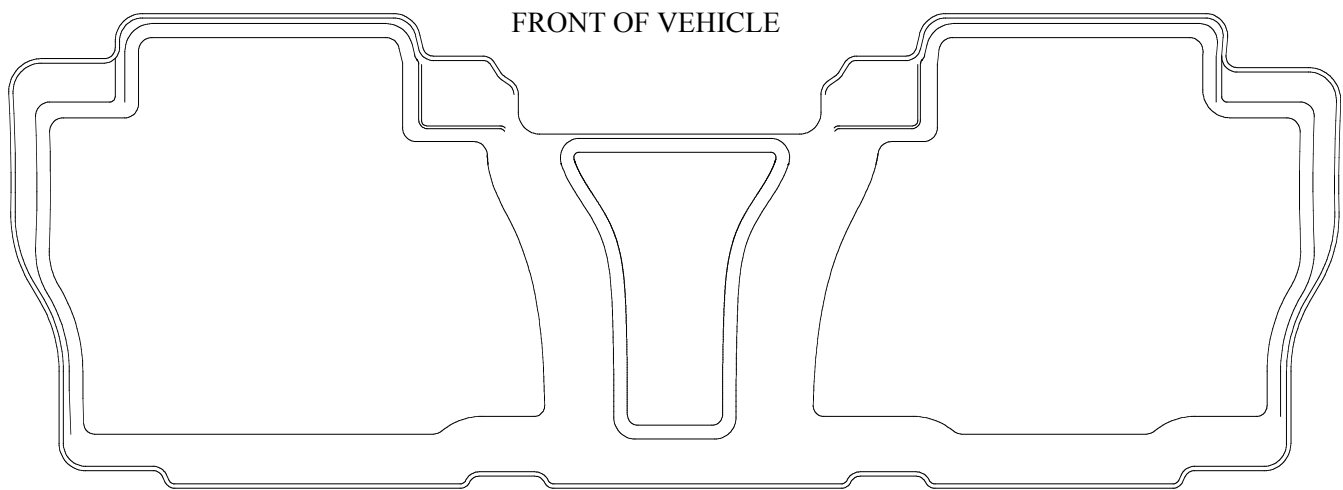
THANK YOU FOR SELECTING A HUSKY FLOOR LINER FROM WINFIELD CONSUMER PRODUCTS

CARE AND USE INSTRUCTIONS

Your new floor liner is custom molded to fit your particular vehicle. The liner is made to take the place of your factory floor mats. For correct fit, it is necessary to remove the factory floor mats before installing your new floor liner. *However, do not remove the factory-installed carpeting.*

Your liner is made from an engineering resin that is lightweight and extremely tough and durable. The easiest way to clean your liner is with a damp cloth or sponge. If using a cleaner, 409[®] or Glass Plus[®] work well. Use of Armor All[®], Son-of-a-Gun[®] or similar items is discouraged as these products make the liner slick.

SECOND SEAT FLOOR LINER INSTALLATION INSTRUCTIONS FOR YOUR TOYOTA TUNDRA CREWMAX AND TOYOTA DOUBLE CAB TRUCKS WITH THE UNDERSEAT STORAGE BOX



TO EASE INSTALLATION OF YOUR TUNDRA SECOND SEAT HUSKY FLOOR LINER, SLIDE BOTH FRONT SEATS TO THEIR MOST FORWARD POSITIONS BEFORE ATTEMPTING TO INSTALL LINER. ONCE YOUR LINER IS INSTALLED, REPOSITION SEATS AS DESIRED. IF INSTALLING LINER IN A DOUBLE CAB TRUCK WITH THE FACTORY UNDERSEAT STORAGE BOX, SLIDE BACK EDGE OF LINER INTO POSITION, THEN THE FRONT EDGE.