

JEGSTER Roll Cage Kit Instructions

Jegster roll bar kits are available in 4 and 8 point versions. Jegster cages are 10 or 12 point. Each kit is designed especially for your application. All pieces are cut oversize and must be trimmed to fit. Reinforcing gussets (not included with kits) are recommended at all major welded connections. Use Jegster **550-40791** gussets. Weld-in floor plates are included with Jegster bars and cages. Two alternate installation methods are available using frame outriggers (Jegster **550-940018**), or bolt-in plates (Jegster **550-940006**). Jegster swing-out side bar kit is **550-940007**.

This installation requires welding. **SAFETY PRECAUTIONS ARE NECESSARY.** Remove gas tank and lines. Remove carpet and interior parts as necessary. Protect interior and windows from sparks, etc.

Please read all the instructions before proceeding.

The order of installation should be as follows:

- 1. Floor Plates** Determine the location of the reinforcing plates by temporarily positioning the main hoop, the rear braces, and the front posts. Sometimes the plates will need bent to conform to the floor. See illustration A. Remove floor caulking, sand off plating, and weld the plates to the floor.
- 2. Main Hoop** This part should be positioned after considering seat location and cross bar type. It is to be welded to the floor plates.
- 3. Rear Braces** The rear end of these braces should be located as close as possible to the rear shock mounts.
- 4. Cross Bar** Fit and weld the ends of the cross bar to the main hoop behind the seats. Follow rule book instructions on height location.
- 5. Top Hoop** Fit and weld the top hoop to the main hoop as high as practical. Leaving room to weld these parts all the way around will be part of this consideration.
- 6. Front Posts** Fit the front posts to the front corners of the top hoop and to the floor plates and as close as practical to the windshield posts.
- 7. Lower Hoop Braces** These braces attach to the main hoop just under the cross bar and to the sub frame.
- 8. Front Braces** The front braces will attach to the front cage posts under the dash. Check pedal clearance.
- 9. Dash Bar** This bar joins the front posts under the dash.
- 10. Side Bars** Fit and weld the side bars to the floor plates, the front posts and to the main hoop as shown below. Follow rule book instructions on height location.
- 11. Side X-Bars** Each side x-bar is to be fit (in two pcs.) from the front post, to the side bar, and to main hoop/floor plate.

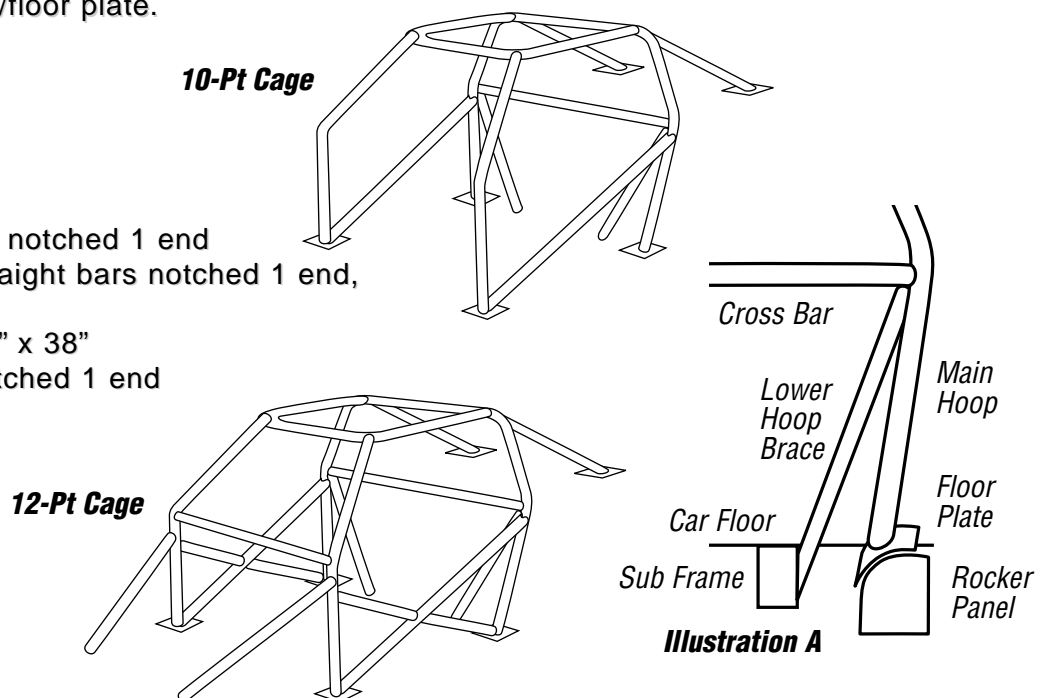
Parts Included

10-Point Cage

- 1 Main Hoop
- 1 Top Hoop
- 2 Front Posts
- 2 Rear Braces, 1-5/8" x 58", notched 1 end
- 1 Cross Bar, 1-1/4" tube, straight bars notched 1 end, offset bars not notched.
- 2 Lower Hoop Braces, 1-1/4" x 38"
- 2 Side Bars, 1-5/8" x 55, notched 1 end
- 6 floor plates

12-Point Cage

- 10-point Cage plus:
- 2 Front Braces, 1/4" x 42"
- 1 Dash Bar, 1-1/4" x 55
- 2 Side X-Bars, 1-1/4" x 52"



JEGSTER Roll Bar Kit Instructions

Jegster roll bar kits are available in 4 and 8 point versions. Jegster cages are 10 or 12 point. Each kit is designed especially for your application. All pieces are cut oversize and must be trimmed to fit. Reinforcing gussets (not included with kits) are recommended at all major welded connections. Use Jegster **550-40791** gussets. Weld-in floor plates are included with Jegster bars and cages. Two alternate installation methods are available using frame outriggers (Jegster **550-940018**), or bolt-in plates (Jegster **550-940006**). Jegster swing-out side bar kit is **550-940007**.

This installation requires welding. SAFETY PRECAUTIONS ARE NECESSARY. Remove gas tank and lines. Remove carpet and interior parts as necessary. Protect interior and windows from sparks, etc.

Please read all the instructions before proceeding.

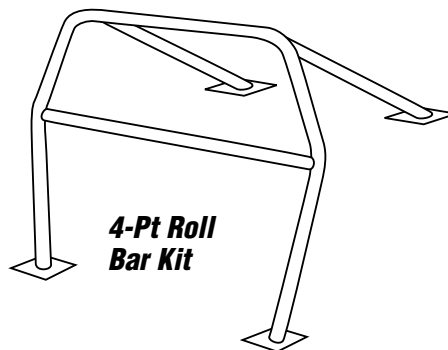
The order of installation should be as follows:

- 1. Floor Plates** Determine the location of the reinforcing plates by temporarily positioning the main hoop, the rear braces, and (in the case of an 8 point) the side bars. Sometimes the plates will need bent to conform to the floor. See illustration A. Remove floor caulking, sand off plating, and weld the plates to the floor.
- 2. Main Hoop** This part should be positioned after considering seat location and cross bar type. It is to be welded to the floor plates.
- 3. Rear Braces** The rear end of these braces should be located as close as possible to the rear shock mounts.
- 4. Cross Bar** Fit and weld the ends of the cross bar to the main hoop behind the seats. Follow rule book instructions on height location.
- 5. Side Bars** Fit and weld the side bars to the floor plates and to the main hoop as shown below. Follow rule book instructions on height location.
- 6. Lower Hoop Braces** These braces attach to the main hoop just under the cross bar and to the sub frame.

Parts Included

4-Point Bar

- 1 Main Hoop per application
- 2 Rear Braces 1-3/4" x 58", notched 1 end
- 1 Cross Bar, 1-1/4" tube, straight bars notched 1 end, offset bars not notched
- 4 Floor Plates



8-Point Bar

- 4-point bar plus:
- 2 side bars, 1-3/4" x 55", notched 1 end
- 2 lower hoop braces, 1-1/4" x 38"
- 2 more floor plates

