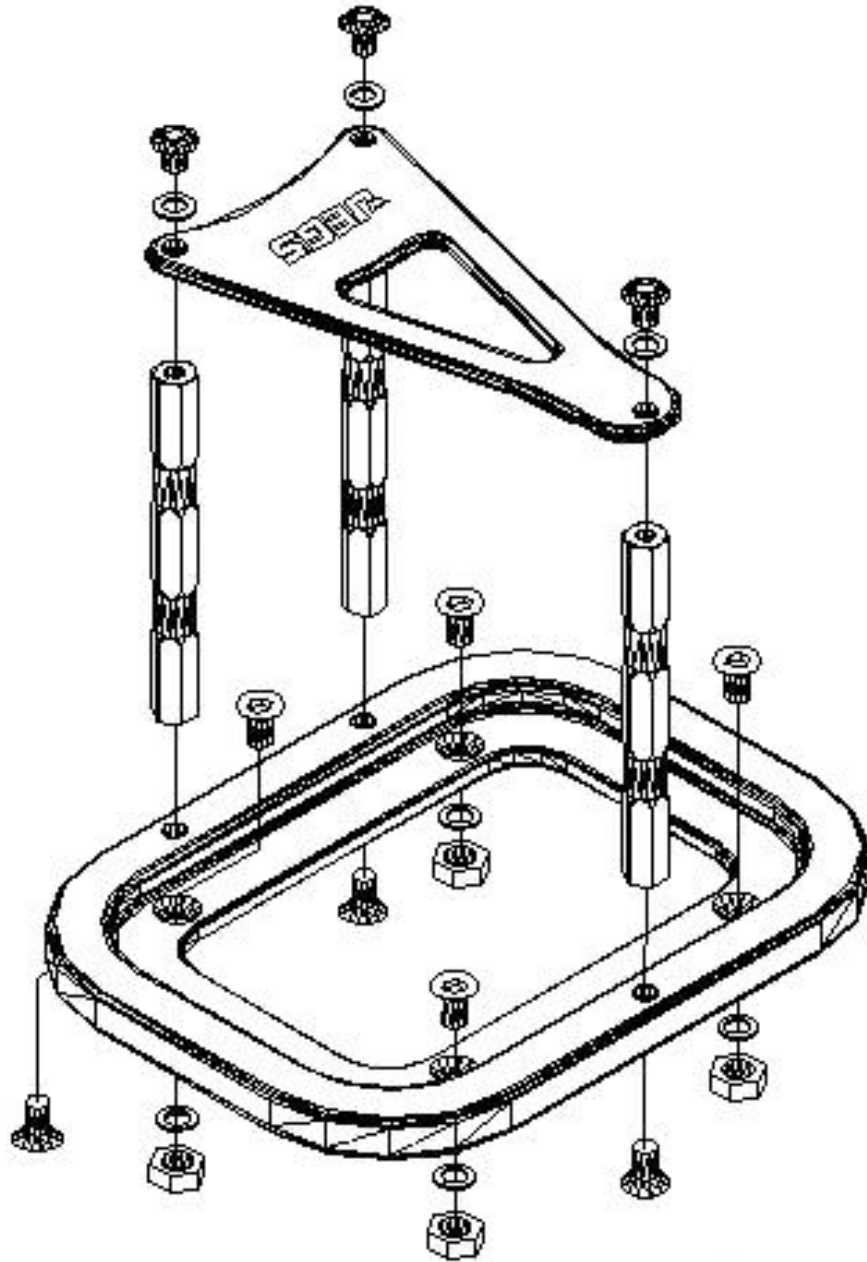


**Installation Instructions for 10234, 10239, 10245, 10247, 10250  
thru 10255 & 10259  
Billet Battery Mount**



**1-800-345-4545 [jeps.com](http://jeps.com)**