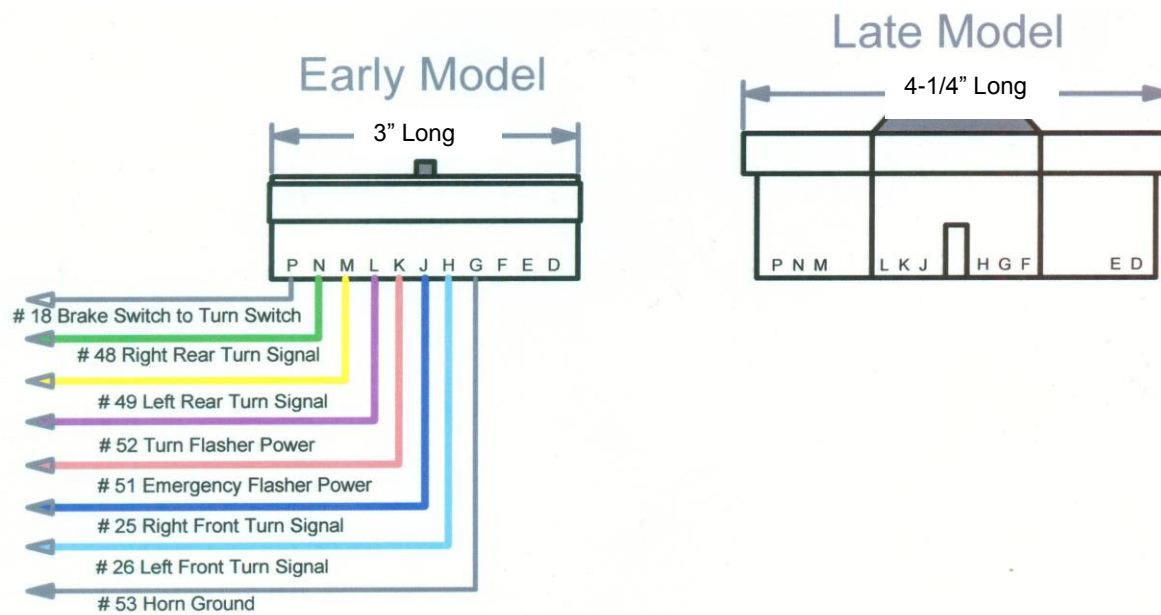


# Installation Instructions for 10408 (early model) & 10415 (later model) GM Turn Signal / Column Connector Kit



\*Late model is wired exactly as early model.