

Installation Instructions for 150260 (4150) & 150262 (4160) Carburetor Rebuild Kits

The exploded view shown below is for a typical carburetor. Your carburetor may be a little different since this kit covers several carburetors.

Disassembly:

Remove the carburetor from the vehicle and work on a clean bench or table. Use a carburetor work stand if possible (part number 555-15836 – available separately). This will make the job easier and avoid damage to the throttle plates while working on the carburetor.

General Directions: Disassemble the carburetor far enough to inspect and clean all components. Do not remove the throttle plates or shafts from the base plate assembly.

Measure the position of the floats and record this information. Note the position of the idle needle screws and turn them clockwise while counting the number of turns on each needle screw. Note the position of the screw in the accelerator pump cam. Note the jet sizes and their locations. Write down this information since you will need it later when the carburetor is reassembled.

During the disassembly process it is best to keep each sub assembly separate and to retain all parts until the process is completed. Place each of the components from each fuel bowl in its own container or bag. Do the same with the metering blocks, etc. This will help you with reassembly and keep things from getting swapped from the primary and secondary sides of the carburetor.

Before gasket removal it is suggested that you match new gaskets with old ones since they may get destroyed when you remove them. Many of the gaskets are very similar, so be careful to make sure they have all the holes and passages in the same locations. Once you know what parts you will need for reassembly you can continue with the cleaning/teardown process. A gasket scraper and some light hand-sanding may be necessary to remove the old gaskets.

Cleaning:

Clean all the parts thoroughly. Make sure that once the carburetor is completely disassembled you clean the major components, and then flush all of the channels out with compressed air. This will ensure that no foreign material or leftover gasket impedes the operation of the carburetor. Be careful with plastic and rubber parts since some solvents may damage these parts.

Inspect each part and replace anything that is bent, damaged or broken. Carefully inspect the tapered portion of the idle screws and replace any that are damaged in this area. Make sure the base plate is not cracked or bent (use a straight edge to confirm that it is flat).

Reassembly:

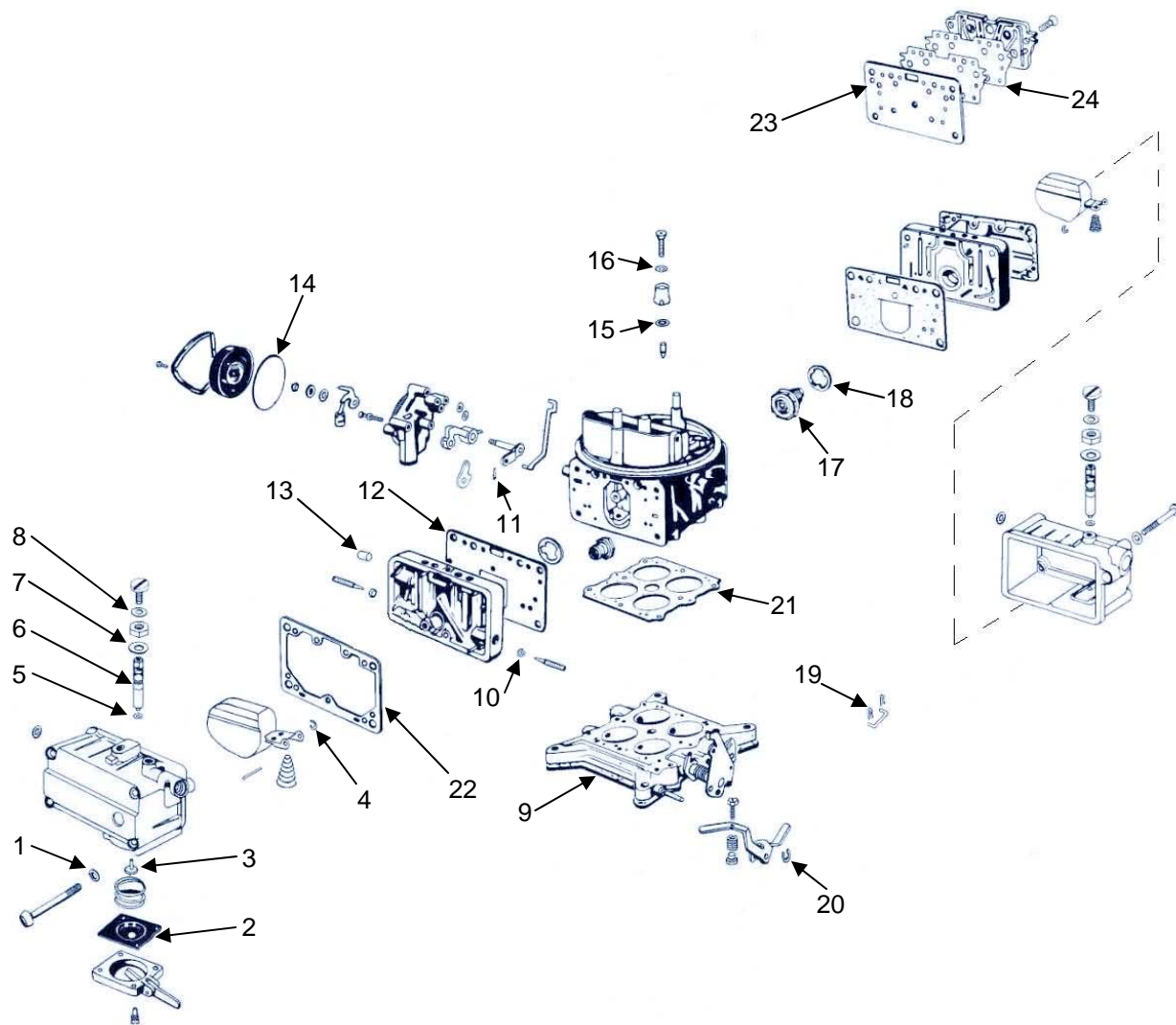
For most carburetors, reassembly is the opposite of disassembly. As you piece things back together match old pieces with new ones from the rebuild kit. There may be several different parts, gaskets, or seals in a rebuild kit since it is universal and works with many different carburetors. There will be some leftover parts in the rebuild kit when you are done.

Use the notes wrote down earlier to reset the float levels and assemble everything as it was before the rebuild.

Manually operate the throttle lever and choke mechanism to confirm that it works properly. Correct any binding or interference that could cause the throttle to stick during operation. Check to make sure there are no leaks or flooding that might cause a fire.



1-800-345-4545 jeps.com



4150					
No.	Description	Qty.	No.	Description	Qty.
1	Fuel Bowl Screw Gasket	8	12	Metering Body Gasket	2
2	Pump Diaphragm Assembly	3	13	Vacuum Tube Plug	1
3	'Umbrella' Check Valve	2	14	Thermostat Housing Gasket	1
4	Float Retainer	2	15	Pump Discharge Nozzle Gasket	2
5	Fuel Valve Seat O-Ring	2	16	Pump Discharge Nozzle Screw Gasket	2
6	Needle & Seat Assembly	2	17	Power Valve Assembly	2
7	Fuel Valve Adjustment Nut Gasket	2	18	Power Valve Gasket	2
8	Fuel Valve Seat Lockscrew Gasket	2	19	Throttle Connector Rod Cotter Pin	2
9	Base Flange Gasket	1	20	Pump Lever Retainer Clip	2
10	Idle Adjustment Needle Seal	4	21	Throttle Body Gasket	5
11	Choke Rod Retainer	1	22	Fuel Bowl Gasket	2
4160 (same as 4150 except as noted)					
2	Pump Diaphragm Assembly	1	21	Throttle Body Gasket	3
3	'Umbrella' Check Valve	1	22	Fuel Bowl Gasket	1
4	Float Retainer	1	23	Metering Body Gasket	1
10	Idle Adjustment Needle Seal	2	24	Metering Body Plate gasket	1
14	Thermostat Housing Gasket	0	n/a	Transfer Tube Seals	4
17	Power Valve Assembly	1	n/a	Secondary Diaphragm Housing Gasket	2
19	Throttle Connector Rod Cotter Pin	1	n/a	Secondary Diaphragm Link Retainer	2
20	Pump Lever Retainer Clip	1	n/a	Transfer Tube O-Ring	2



1-800-345-4545 jeps.com