

Installation Instructions for 23710 Oil Filter Adapter

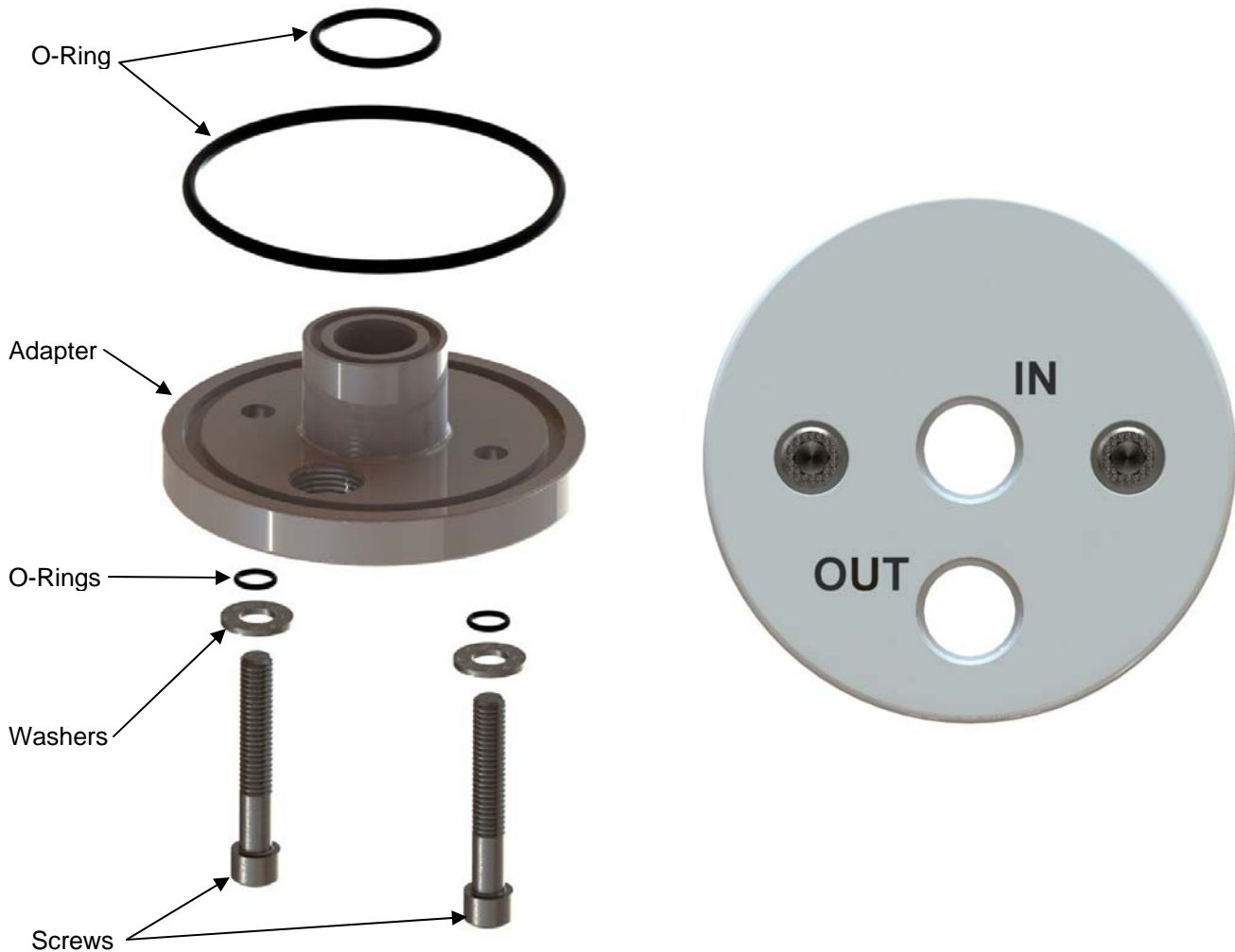
Note: This oil filter adapter plate fits most small block and big block Mark IV Chevy engines that use 5/16"-18 threads to hold the OEM oil filter bypass adapter in place. Newer big block Mark V and VI don't have the recessed oil filter boss and cannot use this adapter.

Parts List:

- (1) Billet Adapter Plate
- (2) Stainless 5/16"-16 Cap Screws x 2.0" Long
- (4) O-Rings
- (2) Washers

Installation Instructions:

- Remove the OEM oil filter bypass / adapter assembly
- Clean the block in the oil filter pocket
- Install the o-rings on the billet adapter plate as shown in the drawing
- Install the oil filter adapter using the fasteners provide in this package
- Install AN-8 O-Ring Boss Style fittings with this adapter (i.e. 555-110163 or 555-110164 – Available separately)
- Use AN lines to attach remote oil filter (and optional oil cooler).



1-800-345-4545 jegs.com