

Installation Instructions for 41016, 41026, 41036 & 41046 Fuel Pressure Gauge Kit

Available in: Black, ETM (Machined), CFL & White

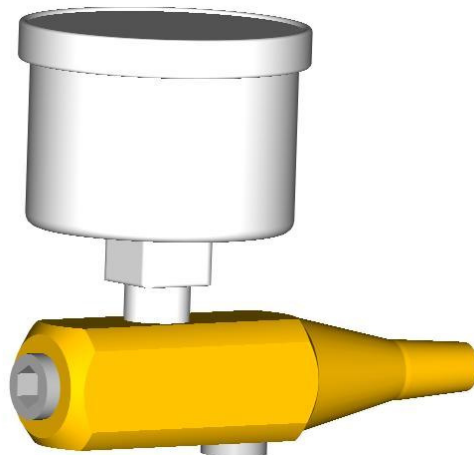
BE CAREFUL – DO NOT OVERTIGHTEN THE THREADED FITTINGS! Use a Teflon thread sealing compound to avoid leaks and to guard against galling of threads.

WARNING!

Check for leaks before starting your vehicle. Take precautions when working with gasoline – It is a fire hazard and is potentially explosive.

Installation Instructions:

1. Remove cap from fuel cell or tank.
2. Let the vehicle sit at least an hour to assist in relieving fuel pressure.
3. Locate Schrader valve in the fuel rail on the passenger side of the vehicle.
4. Remove the Schrader valve cap.
5. Using a clean absorbent towel(s) around the Schrader valve carefully apply pressure to the Schrader valve to release the remaining fuel pressure if any.
6. Carefully remove the Schrader valve fitting from the fuel rail.
7. Be sure the port in the fuel rail is free of debris.
8. Screw the brass pressure gauge adapter into the fuel rail fitting.
9. Screw the fuel pressure gauge into one of the desired 1/8" NPT ports in the fuel pressure gauge adapter.
10. Using the supplied 1/8" NPT pipe plugs, plug the remaining holes in the fuel pressure gauge adapter.
11. Reinstall cap on fuel cell or tank.
12. Cycle the ignition key from the off position to the on position to check for leaks. **DO NOT CYCLE TO THE START POSITION!**



1-800-345-4545 jeps.com