

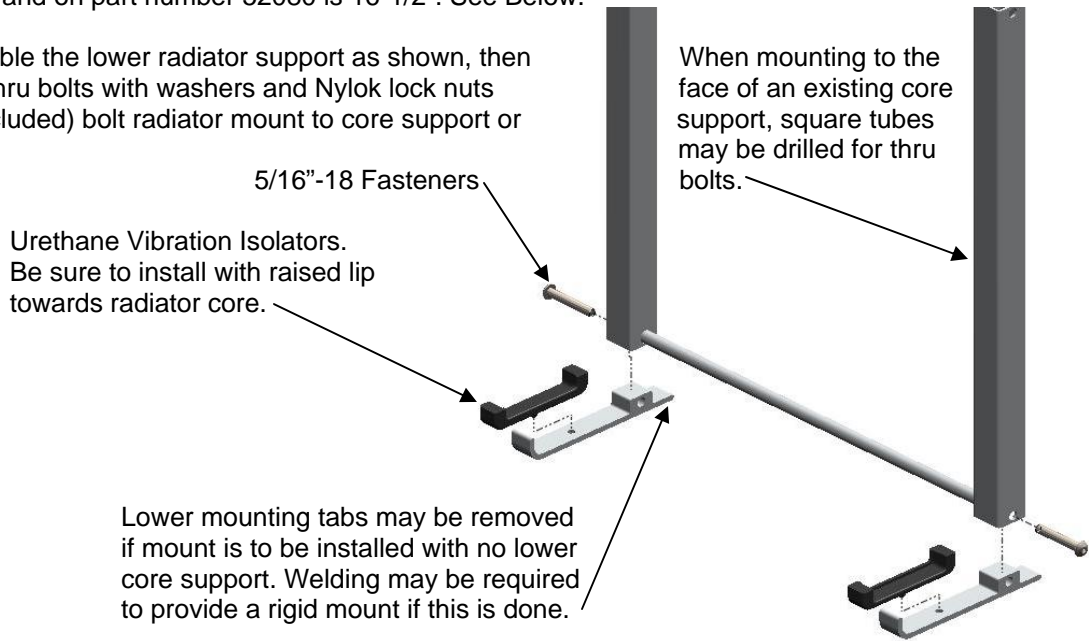
# Installation Instructions for 52080 thru 52083 Universal Radiator Mount

Available for: 28"x16.5", 22"x19", 24"x19", 26"x19", 28"x19" & 31"x19" Radiators

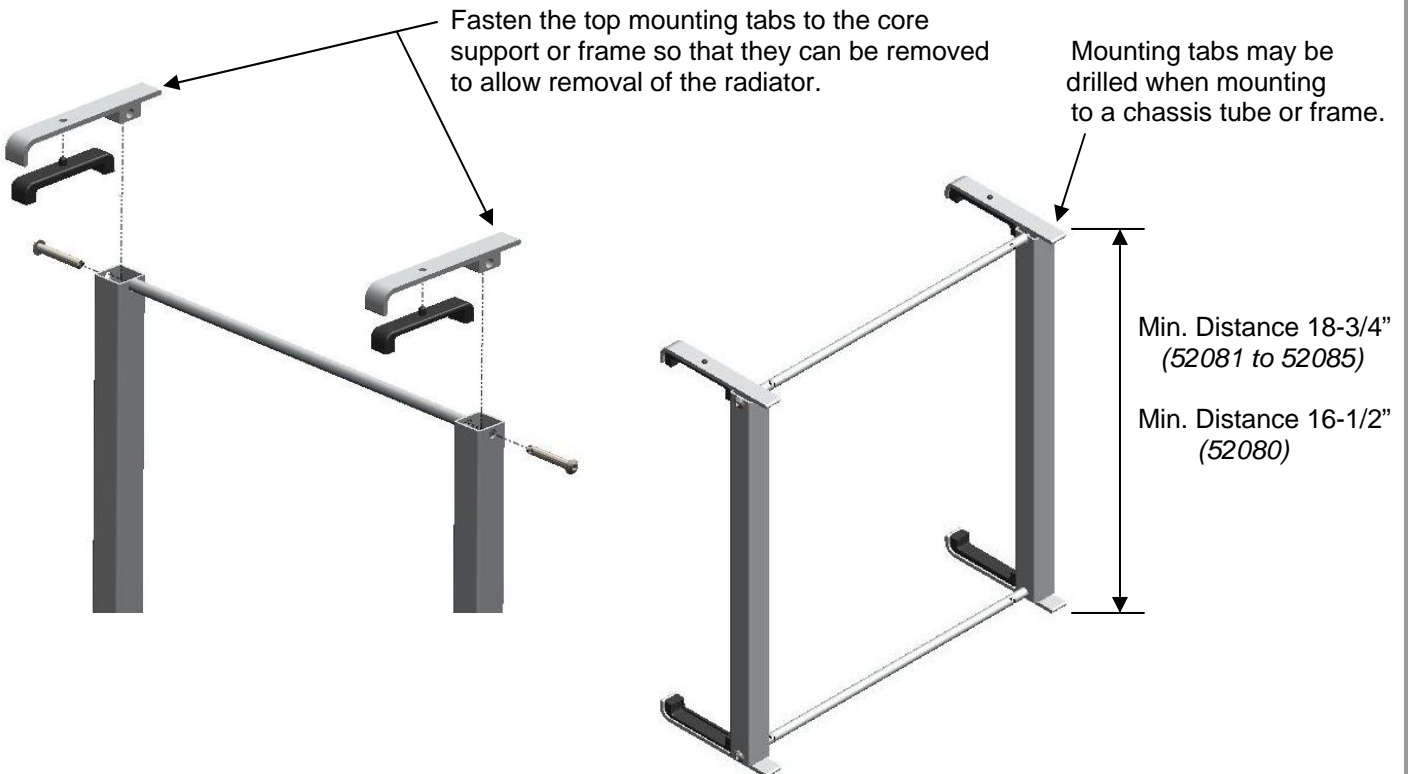
## Installation Instructions:

If using the mounting tabs the minimum recommended inside mounting distance on part numbers 52081 thru 52085 is 18-3/4", and on part number 52080 is 16-1/2". See Below.

**STEP #1:** Assemble the lower radiator support as shown, then using thru bolts with washers and Nylok lock nuts (not included) bolt radiator mount to core support or frame.



**STEP #2:** Seat radiator into lower mounting isolators, then assemble the top of the radiator mount. Always mount a radiator from the raised ridge (or lip) portion of the tanks:



1-800-345-4545 [jegs.com](http://jegs.com)